

Signature Series Built-in BBQ grill

BBQ Dimensions

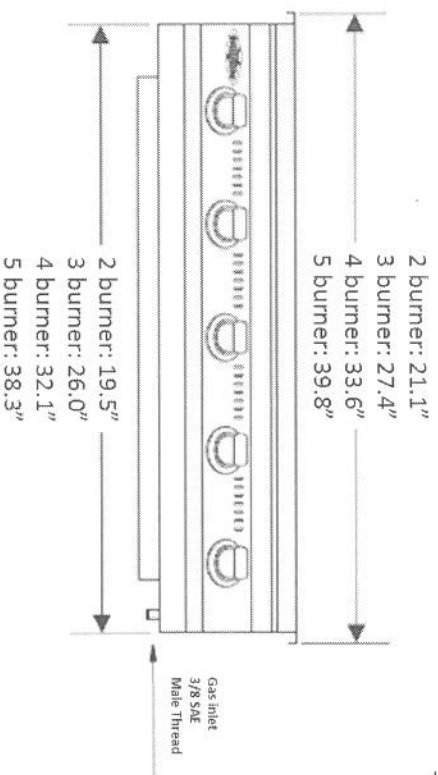
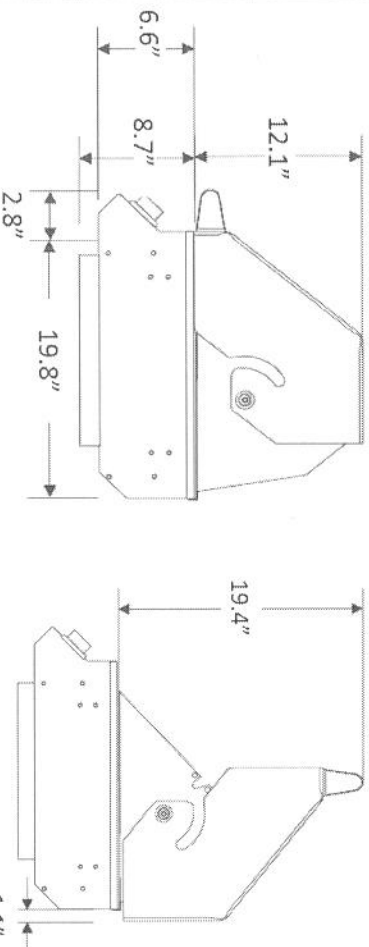
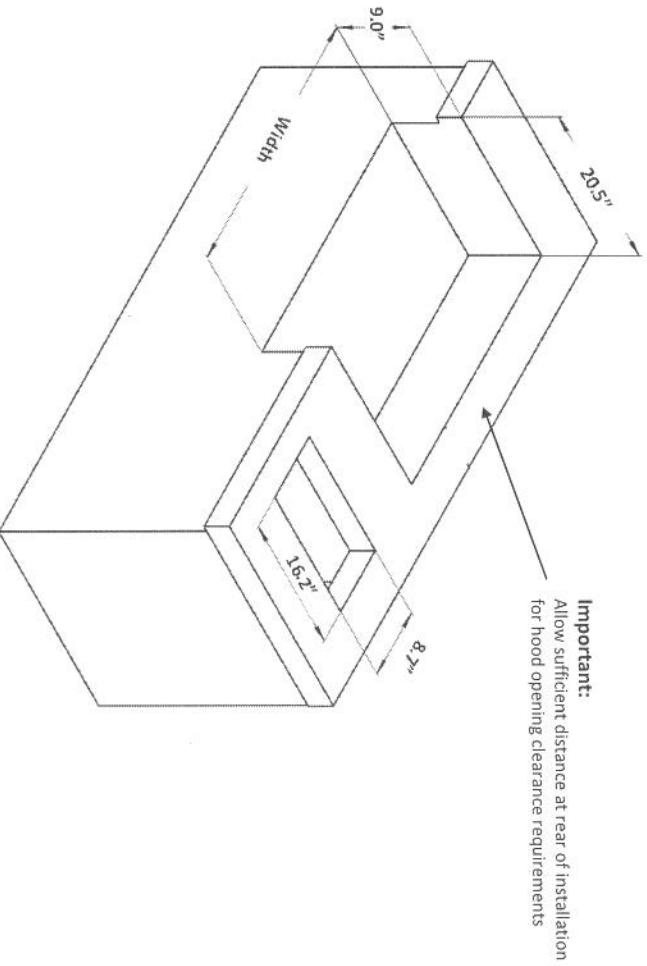
➤ Model Series: s3000s, s3000e

Cut Out Dimensions

For built-in installations: islands, masonry, other non-combustible material structures

Signature Series Built-In BBQs

	2 burner	3 burner	4 burner	5 burner
Width	20.0"	26.4"	32.6"	38.8"
Height		9.0"		
Depth (includes 0.8" rear ventilation clearance)		20.5"		
Minimum Clearance to Combustible Materials		17.7"		
Side / Wok Burner				
Width		8.7"		
Depth		16.2"		
Minimum Clearance to Combustible Materials		17.7"		



Weight (with hood):

➤ 2 burner: 99 lbs / 3 burner: 121 lbs / 4 burner: 144 lbs / 5 burner: 167 lbs