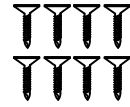


DESIGN SPECIALTIES

MOUNTING INSTRUCTIONS FOR DIRECT VENT FIREPLACE FRONTS

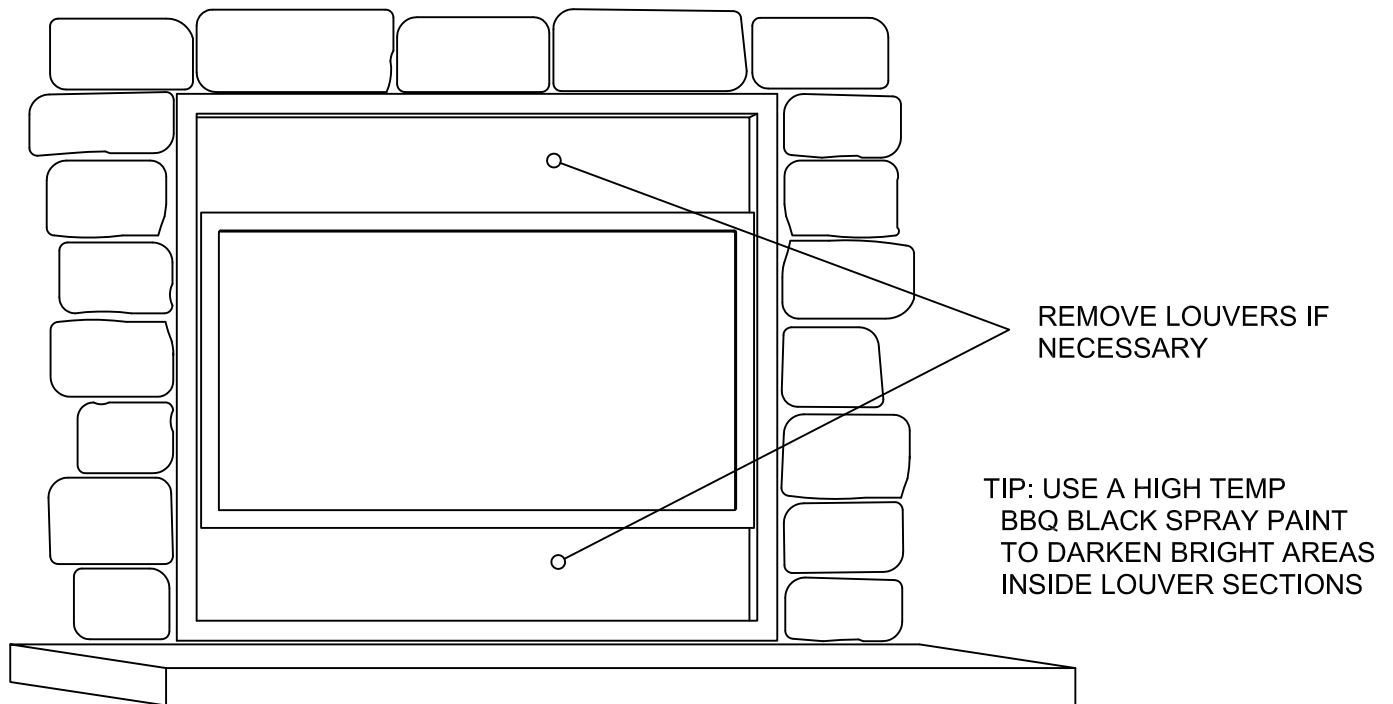
TOOLS NEEDED:
PENCIL
DRILL WITH 1/8" BIT
PHILLIPS SCREWDRIVER

DV FRONT HARDWARE



4 SHIM WASHERS

8 SELF TAPING SHEET METAL SCREWS

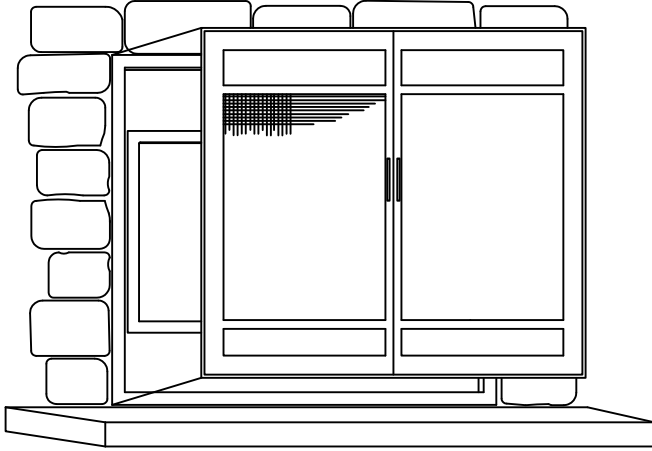


1. REMOVE FACTORY LOWER LOUVER SECTION
2. IT MAY BE NECESSARY TO REMOVE UPPER LOUVER IF IT INTERFERES WITH DOOR INSTALLATION

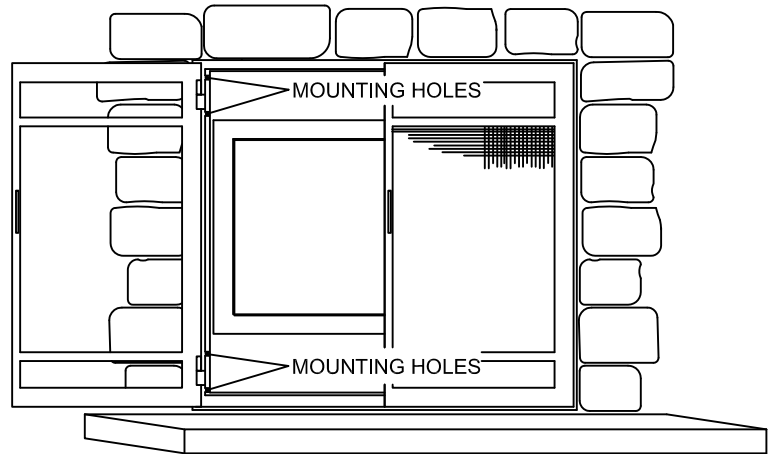
DESIGN SPECIALTIES

MOUNTING INSTRUCTIONS FOR DIRECT VENT FIREPLACE FRONTS

3. PLACE DV FRONT OVER OPENING



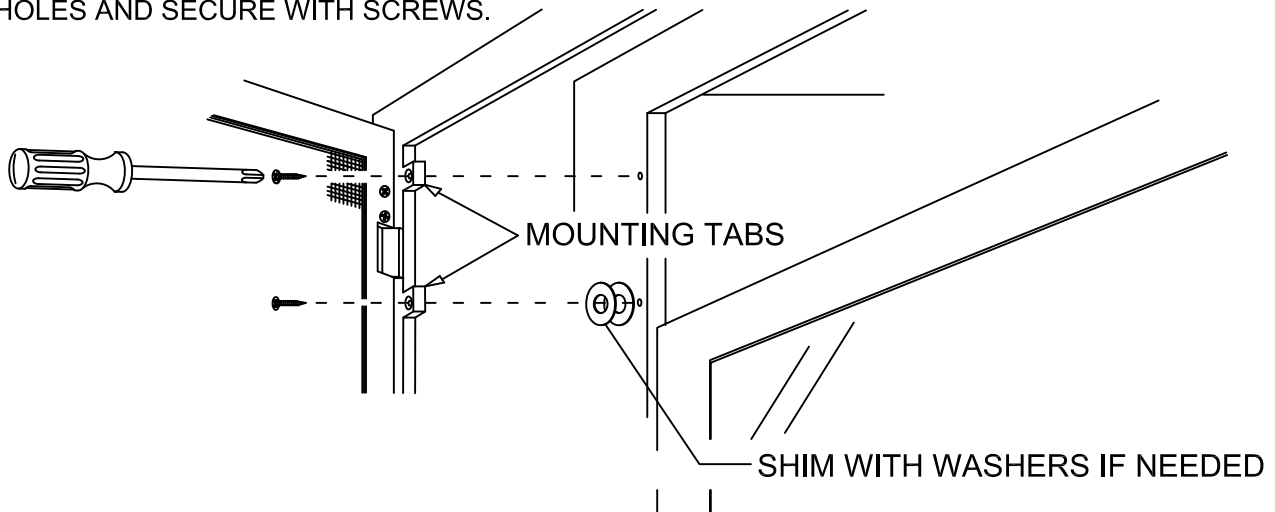
4. WHILE HOLDING IN PLACE, OPEN DOORS TO REVEAL MOUNTING HOLES NEAR HINGES ON FRAME



5. USE A PENCIL TO MARK HOLE LOCATIONS THROUGH HOLES AND ONTO OUTER FRAME OF THE FIREPLACE. IT IS EASIEST TO MARK JUST THE TOP HOLE OF EACH SIDE.

NOTE: SEE ALTERNATIVE MOUNTING METHOD IF MOUNTING HOLES DON'T LOCATE ONTO OUTER FIREPLACE FRAME.

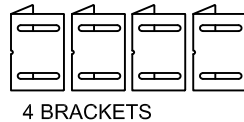
6. REMOVE DOOR, USING A 1/8" DRILL, DRILL HOLES THROUGH THE FRAME ON THE PENCIL MARKS.
7. PLACE DOOR BACK AGAINST FIREPLACE AND SECURE DOOR FRAME TO FIREPLACE FRAME USING THE SCREWS PROVIDED.
8. CAREFULLY DRILL HOLES THROUGH THE REST OF THE MOUNTING HOLES AND SECURE WITH SCREWS.





ALTERNATIVE MOUNTING INSTRUCTIONS FOR DIRECT VENT FIREPLACE FRONTS

ALTERNATIVE HARDWARE KIT CONTAINS:



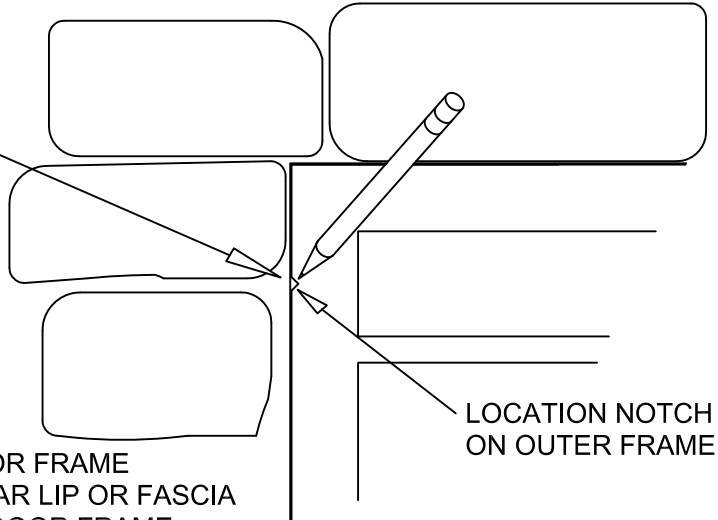
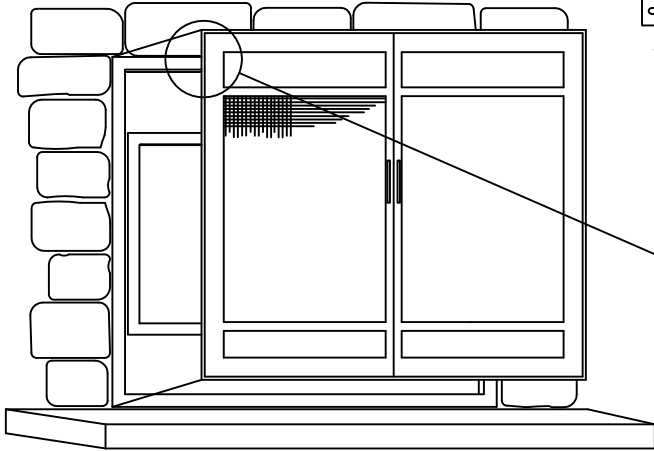
8 SHEET METAL
SCREWS



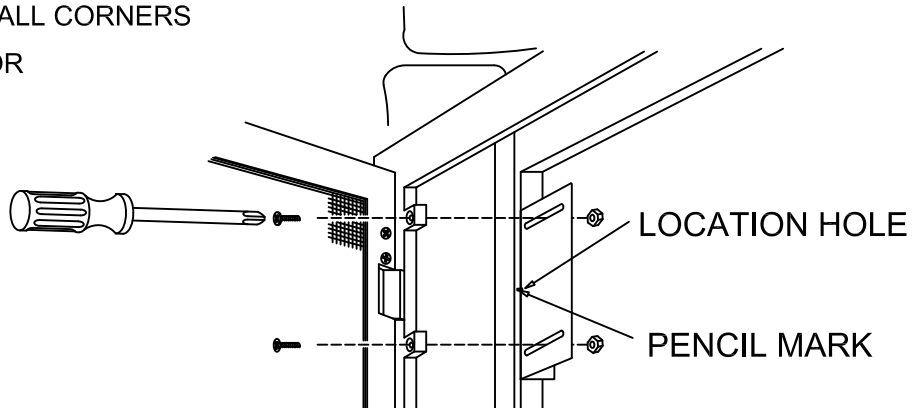
8 MACHINE
SCREWS



8 NUTS



1. PLACE DV FRONT OVER OPENING
2. LOCATE NOTCH ON OUTER CORNERS OF DOOR FRAME
US A PENCIL TO MAKE A MARK ON THE MORTAR LIP OR FASCIA
TO CORRISPOND WITH THE NOTCH ON THE DOOR FRAME
3. DO THIS FOR ALL CORNERS
4. REMOVE DOOR



5. PLACE BRACKETS AGAINST THE INSIDE OF THE LOUVER POCKET
AND ALIGN THE LOCATION HOLE TO THE PENCIL MARK.
6. MARK SLOT LOCATIONS ON THE INSIDE OF THE DIRECT VENT FIREPLACE
USE A 1/8" DRILL AND DRILL HOLES AT SLOT LOCATIONS
7. ATTACH BRACKET FLUSH WITH FACE OF DIRECT VENT FIREPLACE
DO THIS FOR ALL CORNERS.
8. PLACE DOOR ONTO OPENING, USING THE MACHINE SCREWS AND NUTS,
ATTACH DOOR TO BRACKETS.