

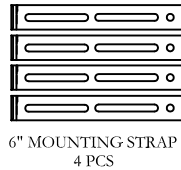
MOUNTING INSTRUCTIONS FOR DESIGN SPECIALTIES FORGE CRAFT SERIES FIREPLACE DOORS

CAUTION ! POLISHED METAL SURFACES ARE DELICATE AND PRECAUTIONS SHOULD BE TAKEN TO PREVENT DAMAGE.

TOOLS NEEDED:
 5/16" MASONRY DRILL
 FELT TIPPED MARKER
 PHILLIPS SCREWDRIVER
 3/8" WRENCH

FORGE CRAFT SERIES HARDWARE KIT

5/32" ALLEN WRENCH
 (FOR ADJUSTMENT)



NOTE: OPTIONAL LINTEL CLAMPS MAY EASE TOP MOUNTING OF THE FIREPLACE DOOR. THE FIREPLACE SHOULD HAVE ATTACHMENT NEAR EACH CORNER.

1. CAREFULLY REMOVE THE FIREPLACE DOOR FROM THE PACKAGING.
2. LOCATE THE MOUNTING HOLES ON THE BACK FRAME.
3. ATTACH THE MOUNTING STRAPS TO THE MOUNTING HOLES ON THE BACK FRAME WITH THE SCREWS PROVIDED.
4. BEND THE STRAPS BACK SO THEY EXTEND INTO THE OPENING.
5. PLACE DOOR ONTO OPENING.
6. OPEN THE DOORS AND BEND THE MOUNTING STRAPS AGAINST THE INSIDE OF THE FIREPLACE.
7. USE THE FELT TIPPED MARKER, MARK THE INSIDE OF THE FIREPLACE THROUGH THE SLOTS IN THE MOUNTING BRACKETS.
8. REMOVE THE FIREPLACE DOOR FROM THE OPENING.
9. USING THE 5/16" MASONRY DRILL , DRILL HOLES WHERE THE MARKS ARE INSIDE THE FIREPLACE 1 3/4" DEEP.
10. INSERT LEAD ANCHORS INTO HOLES.
11. PLACE DOOR BACK ONTO OPENING AND USING THE LAG SCREWS PROVIDED, INSERT SCREWS THROUGH BRACKETS AND INTO LEAD ANCHORS. TIGHTEN SCREWS WITH A 3/8" WRENCH.

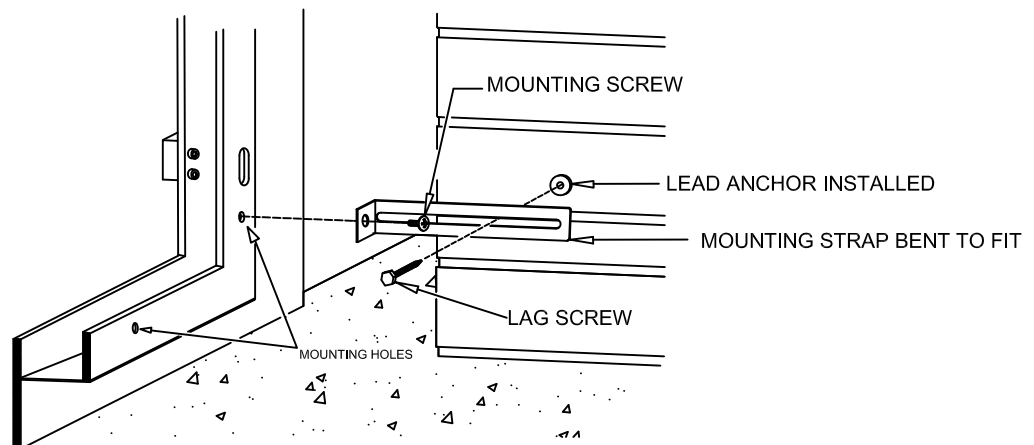


FIG #1

FORGE CRAFT SERIES DOOR ADJUSTMENTS

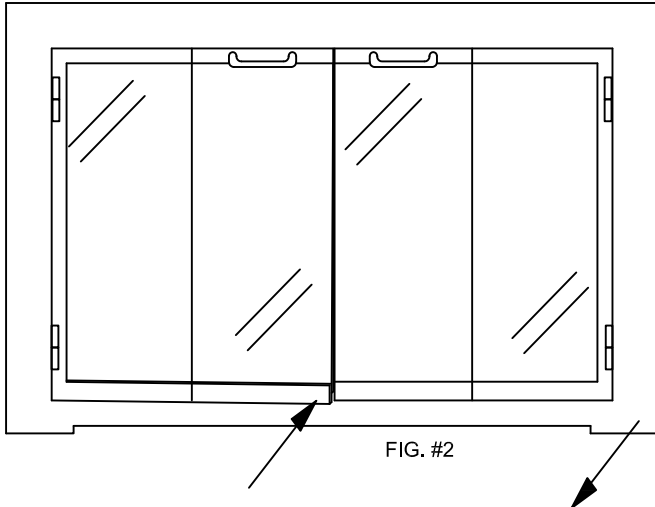


FIG. #2

2. IF ONE GLASS DOOR IS HIGHER THAN THE OTHER AT THE TOP, YOU MAY HAVE TO ADJUST ONE OF THE DOOR HINGES (FIG. # 5). BEFORE MAKING ANY ADJUSTMENTS, OPEN THE GLASS DOORS AND MAKE SURE THE SCREWS THAT HOLD THE TOP HINGE TO THE GLASS DOOR ARE TIGHT. USE A PHILLIPS SCREWDRIVER TO TIGHTEN. SEE FIG. #3

THE BOTTOM HINGES ARE HELD ON TO THE FRAME WITH 2 ALLEN HEAD SCREWS. AN ACCESS SLOT IS PROVIDED IN THE BACK FRAME TO EASE ADJUSTMENT. DETERMINE WHICH HINGE IS MISALIGNED, THERE SHOULD BE APPROXIMATELY A 1/16" GAP BETWEEN THE LEFT AND RIGHT DOOR PANELS.

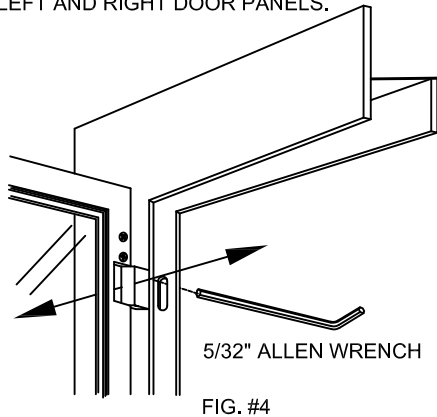


FIG. #4

UNITS WITH MAGNET CLOSER

UNITS WITH CLOSER CLIP

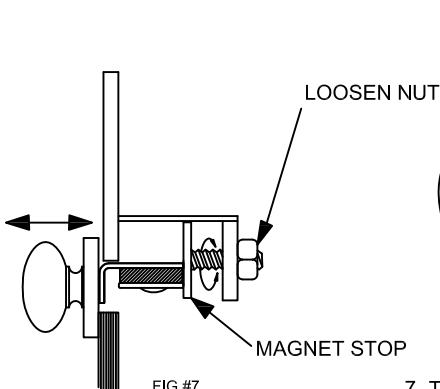


FIG #7

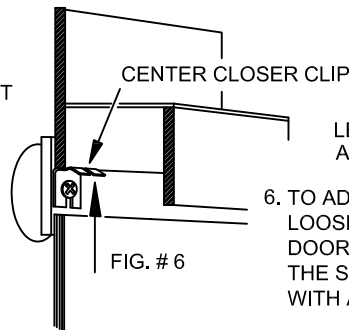


FIG. #6

7. TO ADJUST MAGNET CLOSER, LOOSEN THE NUT BEHIND THE MAGNET STOP. ROTATE THE MAGNET STOP IN OR OUT TO BRING THE DOOR FRAME INTO ALIGNMENT WITH THE OTHER SIDE. RETIGHTEN NUT. SEE FIG. #7

OUR FIREPLACE DOORS ARE FULLY ASSEMBLED AND ADJUSTED PRIOR TO LEAVING THE FACTORY. HOWEVER, THE GLASS DOORS MAY HAVE SHIFTED DURING SHIPMENT, REQUIRING AN ADJUSTMENT TO GET THE GLASS DOORS TO HANG PROPERLY.

1. IF ONE DOOR STICKS OUT FROM THE OTHER ONE, YOU WILL NEED TO MOVE ONE OF THE CORNERS OF THE FRAME OUT SLIGHTLY. ON THE SIDE THAT THE GLASS DOORS ARE IN FROM THE OTHER DOOR, LOOSEN THE NEAREST MOUNTING STRAP AND PULL THE DOOR FORWARD UNTIL THE DOORS ARE IN ALIGNMENT. RETIGHTEN MOUNTING STRAP. SEE FIG. #2

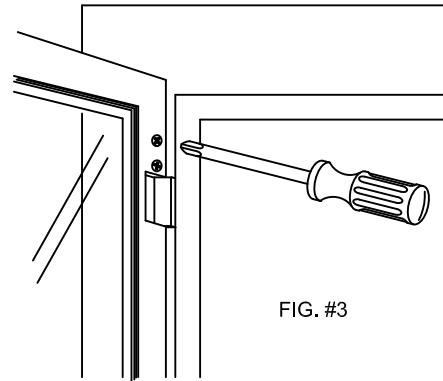


FIG. #3

3. INSERT A 5/32" ALLEN WRENCH THROUGH THE ACCESS SLOT AND INTO THE HINGE SCREW HEAD. LOOSEN BOTH SCREWS. SEE FIG. #4
4. LEAVE THE ALLEN WRENCH ENGAGED IN THE SCREW AND CLOSE DOOR AND MOVE DOOR TO ALIGN. CAREFULLY
5. REOPEN DOOR AND TIGHTEN ONE OF THE SCREWS. THIS PROCEDURE MAY NEED TO BE REPEATED UNTIL GLASS DOOR HANGS CORRECTLY. SEE FIG. #5

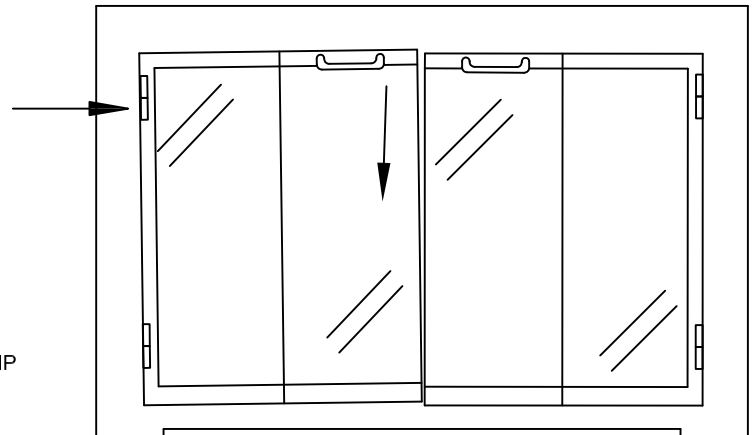


FIG. #5

LEGEND DOORS CAN BE SUPPLIES WITH EITHER A SPRING CLIP CLOSER OR MAGNETIC CLOSERS

6. TO ADJUST THE CLOSER CLIP, OPEN THE GLASS DOORS. LOOSEN THE HANDLE SCREW THAT HOLDS THE CLIP. CLOSE THAT DOOR, SLIDE THE CLIP UP UNDER THE FRAME AND RETIGHTEN THE SCREW. REPEAT FOR THE OTHER SIDE. DOORS SHOULD CLOSE WITH A SLIGHT SNAP. SEE FIG. #6