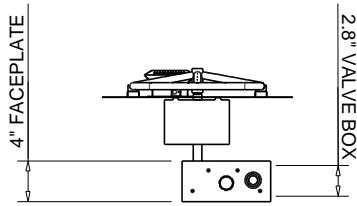


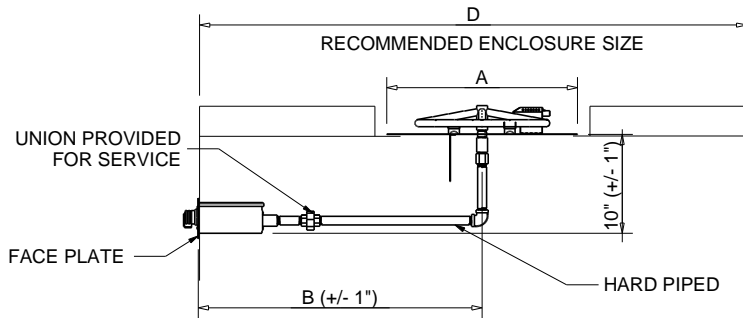


Hearth Products Controls Co
CSA CERTIFIED-OUTDOOR USE ONLY

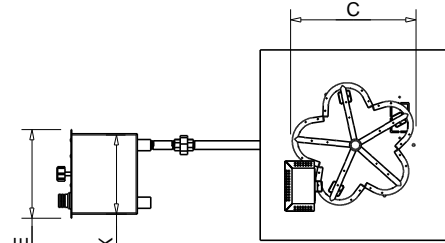
HEARTH PRODUCTS CONTROLS
 3050 PLAINFIELD RD.
 KETTERING, OH 45432
 TOLL FREE: 1-877-433-7001
 PHONE: (937) 433-7000
 FAX: (937) 433-0704
 www.hpcfire.com



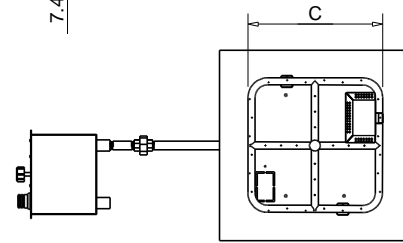
FRONT ELEVATION



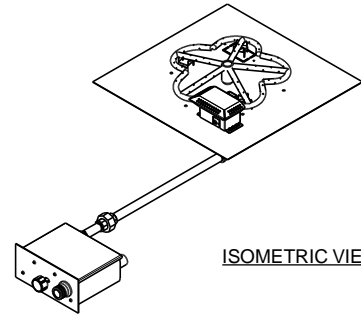
SIDE ELEVATION



PENTA BURNER OPTION



SQUARE BURNER OPTION



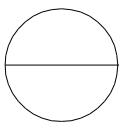
ISOMETRIC VIEW

SPARK IGNITION BY AA BATTERY

PART NUMBERS	STND BTU	DIMENSION CARTS			
		A"	B"	C"	D"
FPPK18-SQ	90K	18	27	12	54
FPPK24-SQ	90K	24	27	18	54
FPPK30-SQ	140K	30	27	24	54
FPPK36-SQ	140K	36	27	30	54

Notes:

- FOR USE WITH FIXED PIPING SYSTEMS ONLY.
- NOT FOR USE WITH SMALL TANKS.
- ALL ENCLOSURES REQUIRE 2 each 18 SQ/IN VENTS ON OPPOSING SIDES AND ADEQUATE DRAINAGE.
- RESIDENTIAL GAS PRESSURE ONLY. (NG- 7.0" WC, LP- 11.0" WC)
- MODIFICATION OF PRODUCT WILL VOID ANY CERTIFICATION AND WARRANTY.
- FOLLOW ALL MANUFACTURER INSTALLATION INSTRUCTIONS AND LOCAL CODES.
- ALL DIMENSIONS ARE CONSIDERED TRUE AND REFLECT MANUFACTURER'S SPECIFICATIONS AS OF THE REVISION DATE.
- DO NOT SCALE DRAWING.
- THESE DRAWINGS ARE FOR SIZING AND PLANNING PURPOSES. ALL INFORMATION CONTAINED HEREIN WAS CURRENT AT THE TIME OF DEVELOPMENT. THE MANUFACTURE IS RESPONSIBLE FOR THE ACCURACY OF THE DRAWING.
- CONTRACTOR'S NOTE: FOR PRODUCT AND COMPANY INFORMATION VISIT www.CADdetails.com/info REFERENCE NUMBER 771-004.



FPPK FIRE PIT INSERT

FPPK SQUARE - FLAME SENSING WITH SPARK IGNITION