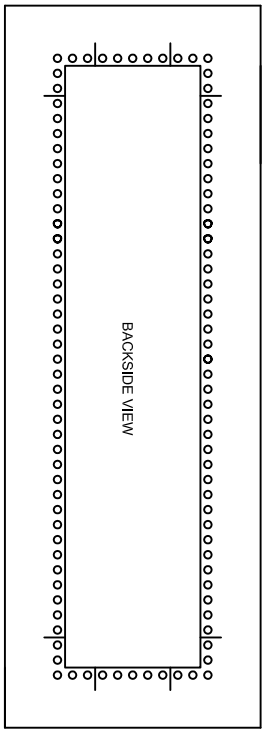
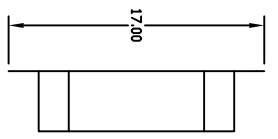
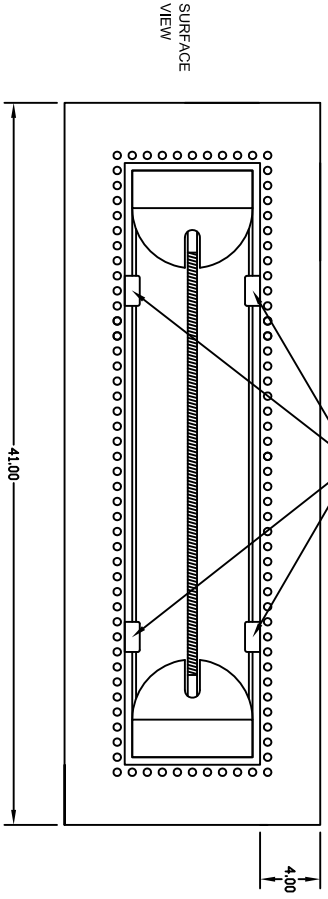
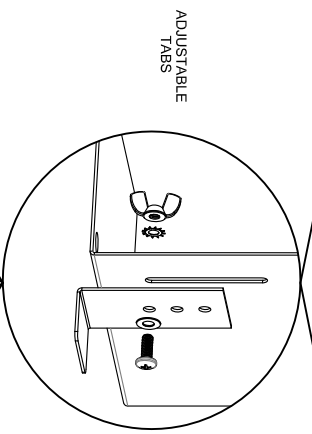
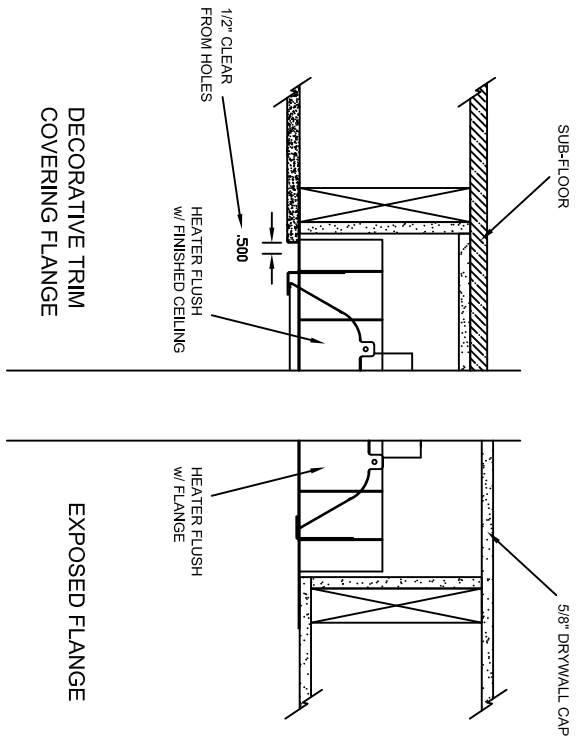
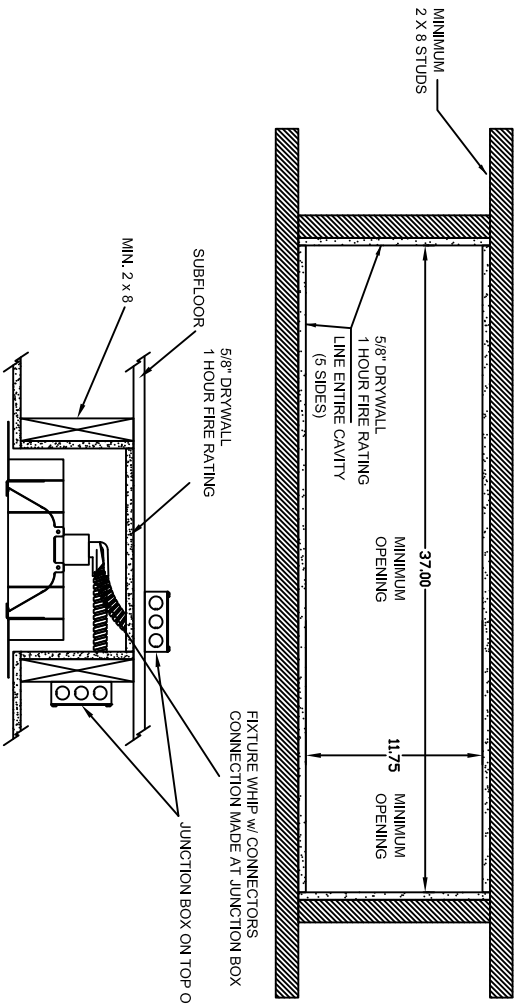


# INSTALLATION TYPES



## NOTES:

- Heater suspends (Gravity) by resting on adjustable tabs in flush mount fixture.
- Mounting holes on Surface Flange to be determined and drilled by Contractor/Installer.
- Supplied with Hi-Temp Fixture Whip and Hi-Temp Wire Nuts.
- Coil excess flex into heater cavity
- Use Licensed Electrician ONLY

<b>INFRA TECH</b> <small>www.infrotech-usa.com</small>		15700 S. Figueroa St. Gardena, California 90248 Phone: (310) 354-1250 Fax: (310) 523-3674
ITEM #:	X-18-2295	MATERIAL:
DESCRIPTION:		304 S.S. #4 FINISH
NOTES:		W-33 FLUSH MOUNT PLASTER FRAME (FOR USE WITH 33" W-SERIES HEATERS)
DATE:	Jun. 11, 2014	SCALE:
SUPPLIED w/ ELECTRICAL FIXTURE WHIP		DRAWN BY:
		MD