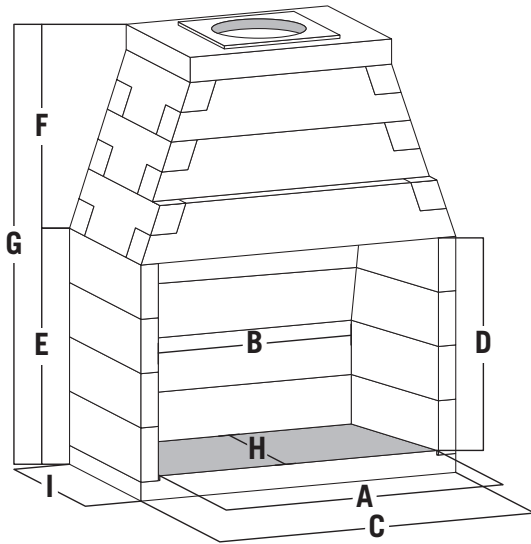


42" CONVENTIONAL

UL 127, ULC S610, & ANSI Z21.60 COMPLIANT

PRODUCT DIMENSIONS



WIDTH	A	OPENING	44.5"
	B	FIREBOX REAR	34"
	C	OVERALL	50"
HEIGHT	D	OPENING	33.75"
	E	FIREBOX	37.5"
	F	SMOKE CHAMBER	31.5625"
DEPTH	H	FIREBOX	22.5"
	I	OVERALL	28.5"
DAMPER		SIZE	36"
WEIGHT	UNIT: 2,410 LBS		
	INSTALL KIT: 1,150 LBS		

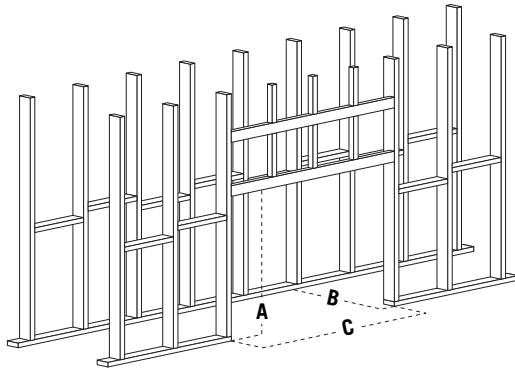
All measurements listed are based on dry stack units before firebrick is installed.

Dimensions are nominal and are given for design and framing reference only.

Please consult the manufacturer's installation manual for all details and requirements before making a final design layout decisions.

RECOMMENDED FRAMING DIMENSIONS

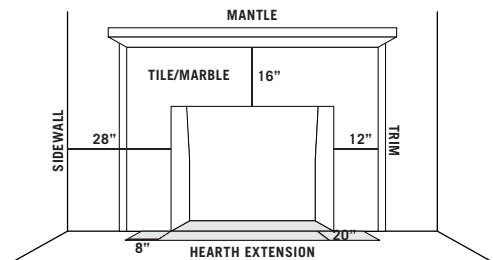
Dimensions add 0.5" of air space to the required clearances



A*	B	C
47.6875"	30"	53"

* It is recommended to not install framing header until after firebox is installed.

CLEARANCE TO COMBUSTIBLES

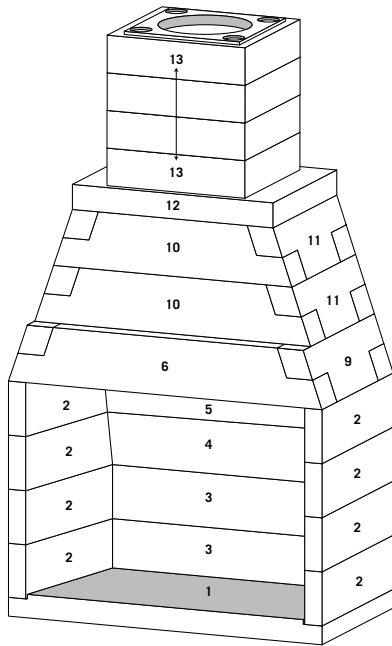


- **OPENING TO SIDEWALL:** 28"
- **OPENING TO COMBUSTIBLE TRIM:** 12"
- **OPENING TO MANTLE WITH 8" DEPTH:** 16"
- **NONCOMBUSTIBLE HEARTH EXTENSION:** 20" front; 8" each side
- **FIREBOX & SMOKE CHAMBER TO COMBUSTIBLES OR FRAMING:** 1"
- **SMOKE CHAMBER (FRONT WALL & TOP) TO WOOD FRAMING:** 1"

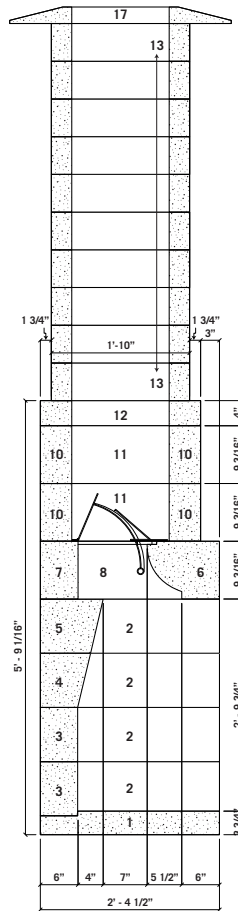
AVAILABLE ACCESSORIES

- FireRock Adhesive Mortar (MANDATORY)
- Solid Block Chimney
- Offset Block
- Brick Flange
- Firebrick
- Crown Cap
- Height Extension Kit
- Outside Air Kit
- Installation Kit
- Damper
- Log Lighter
- LiteRock Riser
- UL 103 Metal Chimney (14")

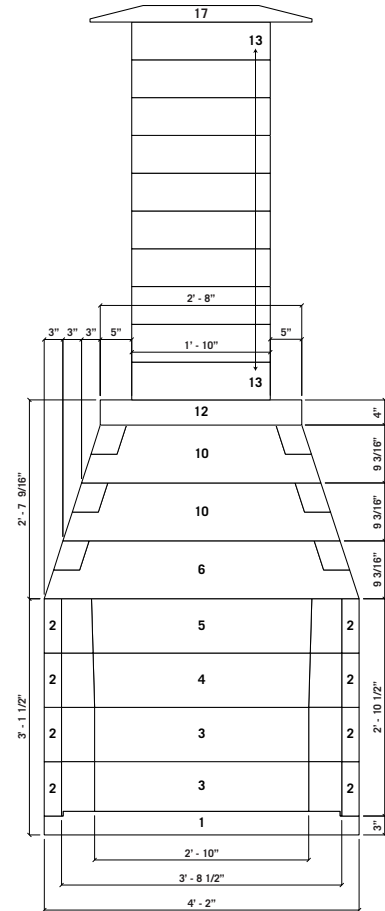




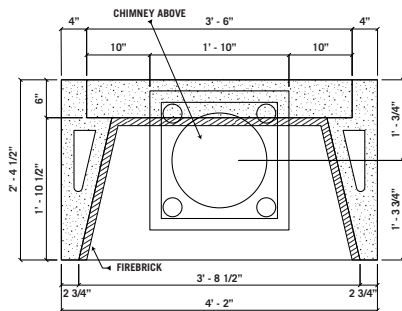
ISOMETRIC



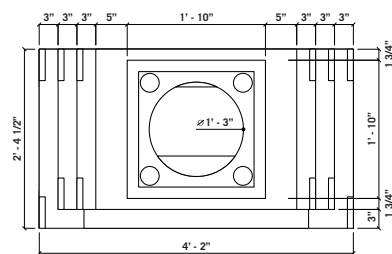
SECTION A-A



FRONT ELEVATION



FIREBOX PLAN



CHIMNEY PLAN

#	COMPONENT NAME
1	BASE PLATE
2	FIREBOX SIDE
3	STRAIGHT BACK BLOCK
4	ANGLED BACK BLOCK - COURSE 3
5	ANGLED BACK BLOCK - COURSE 4
6	RADIUS THROAT FRONT
7	SQUARE THROAT BACK

#	COMPONENT NAME
8	THROAT SIDE - LEFT
9	THROAT SIDE - RIGHT
10	SMOKE CHAMBER FRONT AND BACK
11	UNIVERSAL SMOKE CHAMBER SIDES
12	CHIMNEY BASE
13	CHIMNEY BLOCK
17	LARGE CROWN CAP

*NOTE: All pieces subject to a 1/8" tolerance