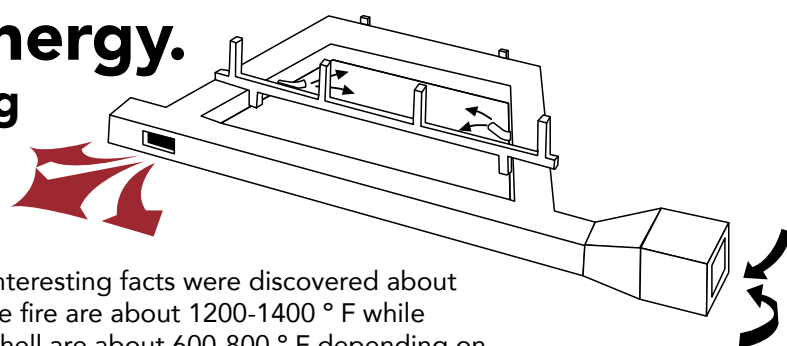


# Harness Fireplace Energy.

## The Airculator – Good looking and hardworking!



### How a Bottom Mount Design Works

In the engineering and design of the Airculator, some interesting facts were discovered about a fireplace in operation. Temperatures at the base of the fire are about 1200-1400 ° F while temperatures at the fireplace or just below the smoke shell are about 600-800 ° F depending on the type and amount of wood used. The Bottom Mount Design of the Airculator uses the highest temperature of the fire for maximum heating of the circulating air.

It was also discovered that a zone of higher oxidation occurs about 6" to 8" above the floor of the fireplace. The Bottom Mount Design of the Airculator utilizes this minimum oxidation area to protect metals from rust and corrosion.

### Choice of Models, Size and Finishes

The design and styling of the Airculator make it an attractive addition to any home. The Airculator is available in 39", 45" and 51" widths. All units come in standard all black finish. Contact your dealer for availability of special finish manifold face plates.

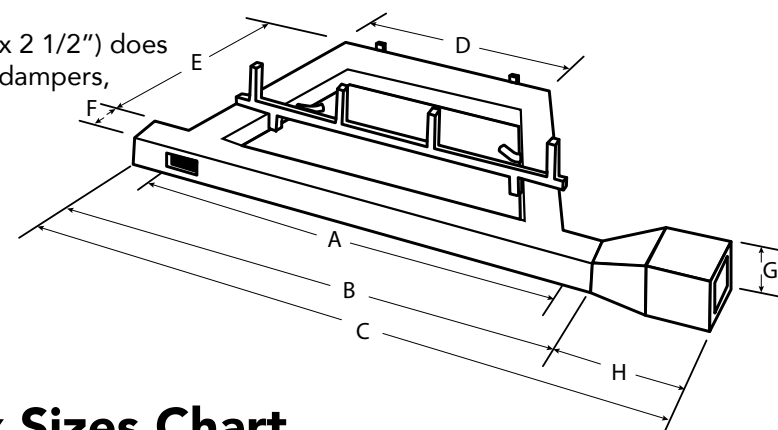
Model No.*	Width
HE13901	39"
HE14501	45"
HE15101	51"

\*Includes HE11000 Blower and Power Supply.

### Simple to Use With Glass or Mesh Screens

The Airculator is designed to be used with glass enclosures or fireplace screens. The horizontal section of the Airculator is designed so that glass enclosures can be placed directly on top and installed in the fireplace according to standard manufacturer's instructions. With mesh screens the Airculator fits under the screen. The Airculator reduces the opening height by 2 1/2".

The low-profile projection outside of the firebox (2 1/2" x 2 1/2") does not interfere with opening and closing of the doors and dampers, allowing an uninterrupted view of the fire.



### Measure Your Fireplace 3 Ways

To select the correct Airculator model for your home, measure your fireplace three ways:

1. Fireplace opening width
2. Fireplace depth (front to rear)
3. Width of firebox at rear

## Airculator Standard Fire Box Sizes Chart

Model No.	Size	A	B	C	D	E	F	G	H	Fits* Width		Min.Depth	Ship Wt. Add 2.5# For Fanbox	Glass Fireplace Screen
										Min	Max			
HE13901	39	25.5	39	45.5	17	19.25	2.5	3.9	6.5	28"	34"	19.25	33	up to 39" wide
HE14501	45	31.5	45	51.5	23	19.25	2.5	3.9	6.5	34"	39"	19.25	39	up to 45" wide
HE15101	51	37.5	51	57.5	29	19.25	2.5	3.9	6.5	39"	44"	19.25	48	up to 51" wide

HE11000 Fanbox / Power supply is packaged separately and included. Fanbox may be mounted right or left. Airculator heat chamber is 2" high.

\*Assuming 2 1/2" overlap each side for glass enclosure. Can add to Max. width if overlap is less.

# Harness Fireplace Energy

## The Airculator Fireplace furnace: Good looking and hard working



Airculator, the fireplace furnace that produces up to 20,000 BTU'S per hour from a normal sized fire, yet burns fuel more efficiently... more heat that costs you less.

### Reduces Home Heating Costs

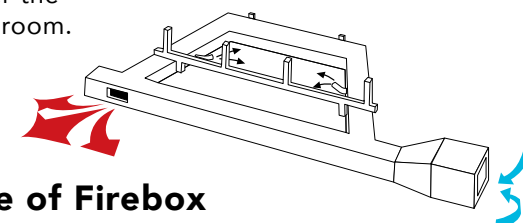
Produces about 20,000 BTU's per hour from a normal-size fire. You can lower your thermostat and save gas, oil or electricity.

### Circulates Fireplace Heat Usually Lost up Your Chimney

88 cfm fan takes cool air and circulates it through the heating chamber under the fire. The air is heated to 300-425 degrees and then is blown quietly into the room.

### The Forge Effect

Dual air jets act like a blacksmith's bellows to feed the fire. This results in a faster starting, hotter burning fire that makes the best use of your fuel.

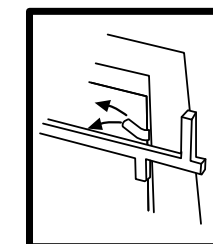


### Reversible Left or Right Unobtrusive Fan Box Outside of Firebox

Minimizes potential heat damage to motor and electrical components.

### Highly Effective and Quiet Low voltage Blower—Allows Emergency Operation

Three speed control switch and power supply included. Uses less than 10 watts of electricity for a very low operating cost (Less than \$0.03 per day at \$.10 per KWH). Allows for emergency operation with optional battery backup during power outage.



### Uninterrupted View of Fire

Bottom mount design with a low profile along with side mounted motor box allows a clean view of your fire.

### Simple to Use with Firescreens or Glass Doors

Allow 2 1/2" for manifold height.

### Custom Finished Manifold Faceplates Available

All Satin Black is standard. Special finish faceplates to match many popular glass doors or firescreens are available.

### Built to Last

Durable heavy steel heat chamber & heavy duty grate with 5 years main heat chamber warranty and 1 year warranty on other parts.

### Easy Installation

Attach the motor box to the left or right and tighten single screw. Center the unit in your fireplace. Plug in the power supply into a 110 volt outlet and the low voltage power supply cord into the receptacle on the motor box.



PO Box 3707  
19505 SW 90th CT. Tualatin, OR 97062

ORDER FAX: (971) 224-2199  
PHONE: (971) 224-2188  
(800) 999-COIL (2645)  
E-MAIL: firescreensales@cascapecoil.com  
Web Site: www.cascadefirescreens.com

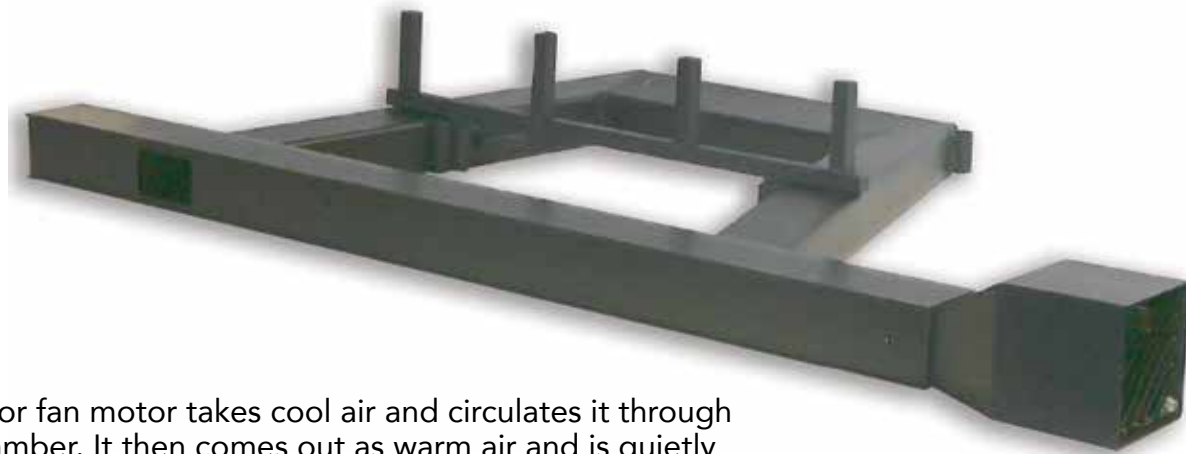


# The Airculator Fireplace Furnace is an efficient heat exchanger that makes use of your fireplace fire.

Unique air jets direct air flow for faster, easier starts and hotter, cleaner-burning fires. The more complete fuel consumption means you have hotter fires while creating less pollution.

Heavy-duty steel construction and a sturdy heavy duty heat chamber provides up to 20,000 BTUs of warmth per hour which is circulated throughout your room. The Airculator is easily installed and the low voltage blower can be mounted on either side of your fireplace. It uses less than 10 watts of electricity.

The Airculator comes in a range of sizes to fit most fireplaces.

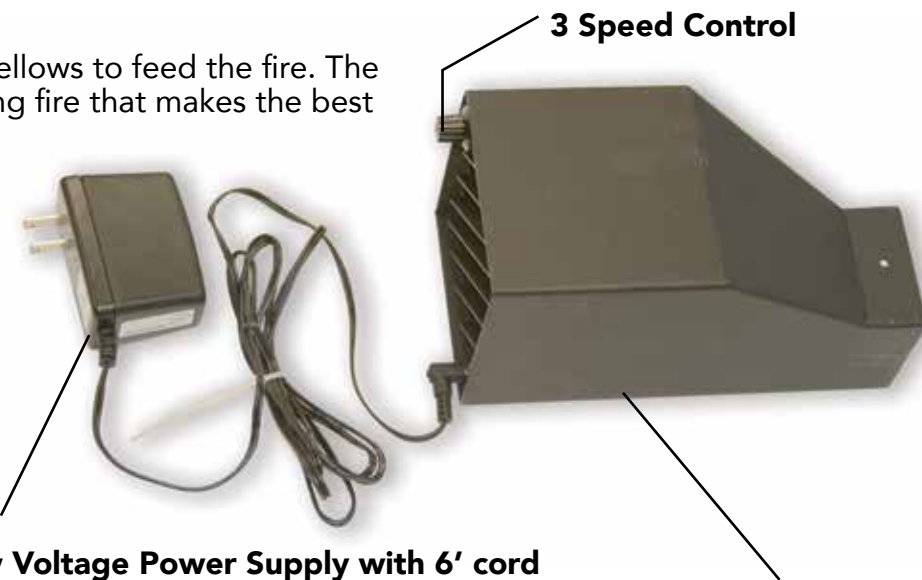


The Airculator fan motor takes cool air and circulates it through the heat chamber. It then comes out as warm air and is quietly distributed throughout the room.

## The Forge Effect

Dual air jets act like a blacksmith's bellows to feed the fire. The result: a faster-starting, hotter-burning fire that makes the best use of your fuel.

Low Voltage Power Supply allows operation during power outages (when you really need additional heat) with optional backup battery.



Low Voltage Power Supply with 6' cord

Fan Box



## Simple to Use with Glass or Mesh Screens.

The Airculator is designed so that most glass enclosures can be placed directly on top of the horizontal section and installed in the fireplace according to manufacturer's instructions. The Airculator's heating capacity, teamed with a glass enclosure to prevent heat loss up the chimney, increases fireplace efficiency. The Airculator can also be used with most mesh fireplace screens.



Airculator with Bronze Faceplate

The Airculator Fireplace Furnace offers an unrestricted view of the fire. It will not interfere with the operation of the fireplace (tending the fire and cleaning out ashes) or with the operation of glass enclosures or firescreens. Optional manifold faceplates finished to match glass enclosures or firescreens are available.



Airculator with all Black Glass Enclosure



Airculator with Custom Recessed Fireplace Screen

Also Available from Cascade: Custom Recessed Fireplace Screens & Replacement Mesh to complete your fireplace upgrade. Ask your Airculator dealer for details.



DEALER