



ALEA 40

The 40" Alea fire pit is handmade by Dekko in North America. Ships with your choice of NG or LP burner, one decorative aggregate option and chrome On/Off key.

Size: 40"W x 40"D x 16"H
CSA/UL Approved Burner Assembly

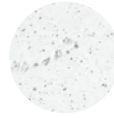


	Manual Ignition	Electronic Ignition
BTU/Hr	65,000	90,000
Weight	177 lbs	177 lbs
Fuel Options	NG/LP	NG/LP

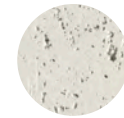
Optional Accessories:

- Propane Tank Cover 16"W x 16"D x 21"H
- Glass Wind Guard 31"W x 31"D x 6"H
- Vinyl Weather Cover
- Powder Coated Aluminium Table Top 40"W x 40"D

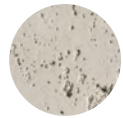
Colour Options



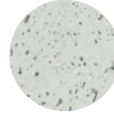
NATURAL



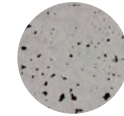
LIMESTONE



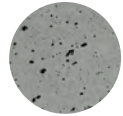
CLAY



ASH



SANDSTONE



CHARCOAL

Decorative Aggregate Options



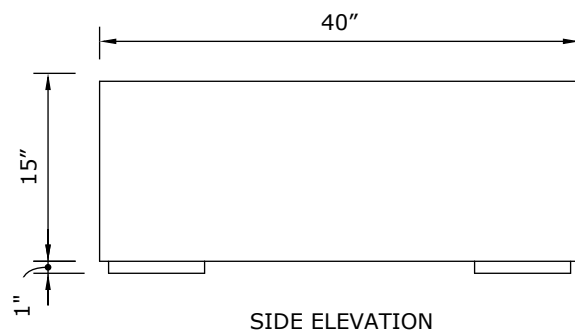
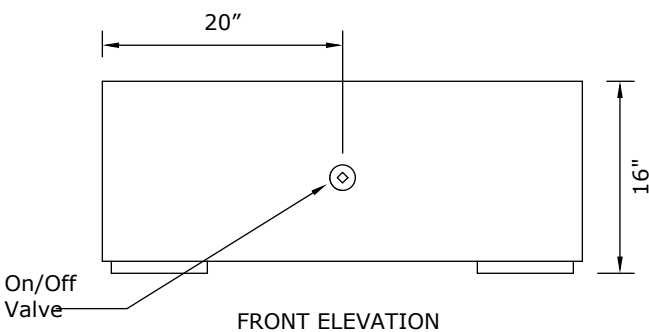
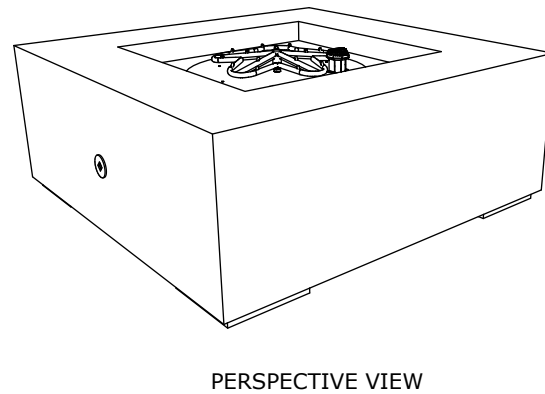
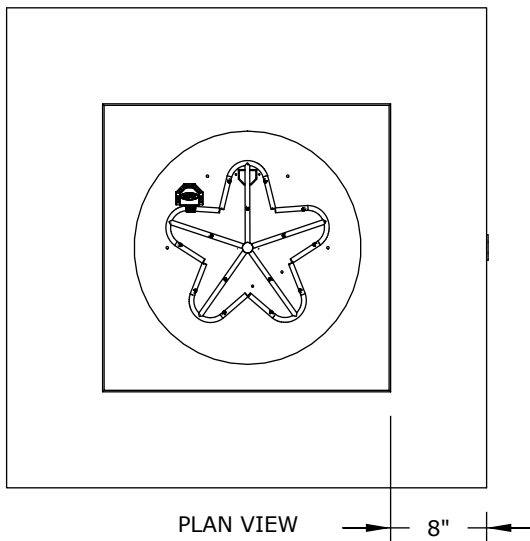
IVORY BEACH STONE



SLATE BEACH STONE

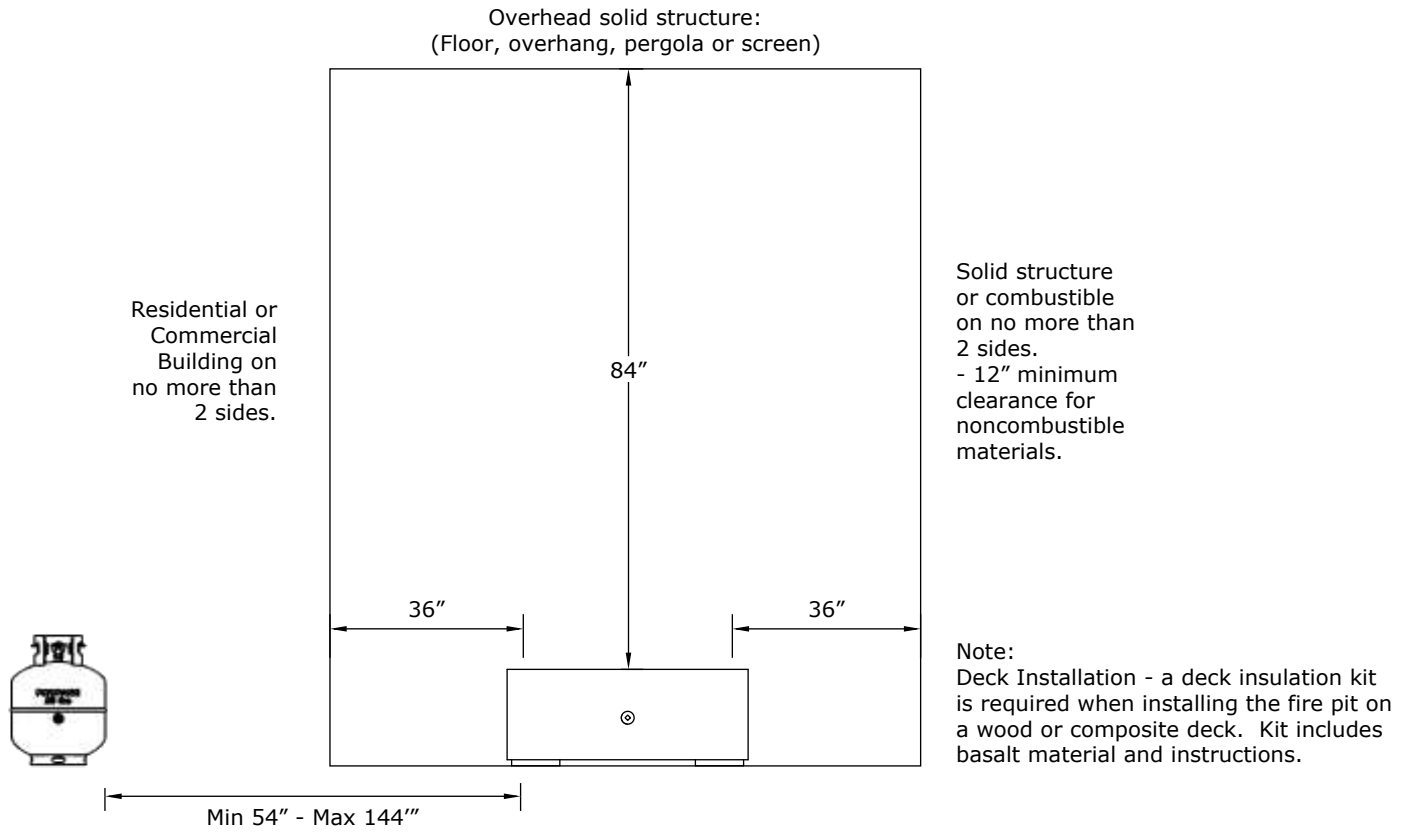


BLACK LAVA ROCK



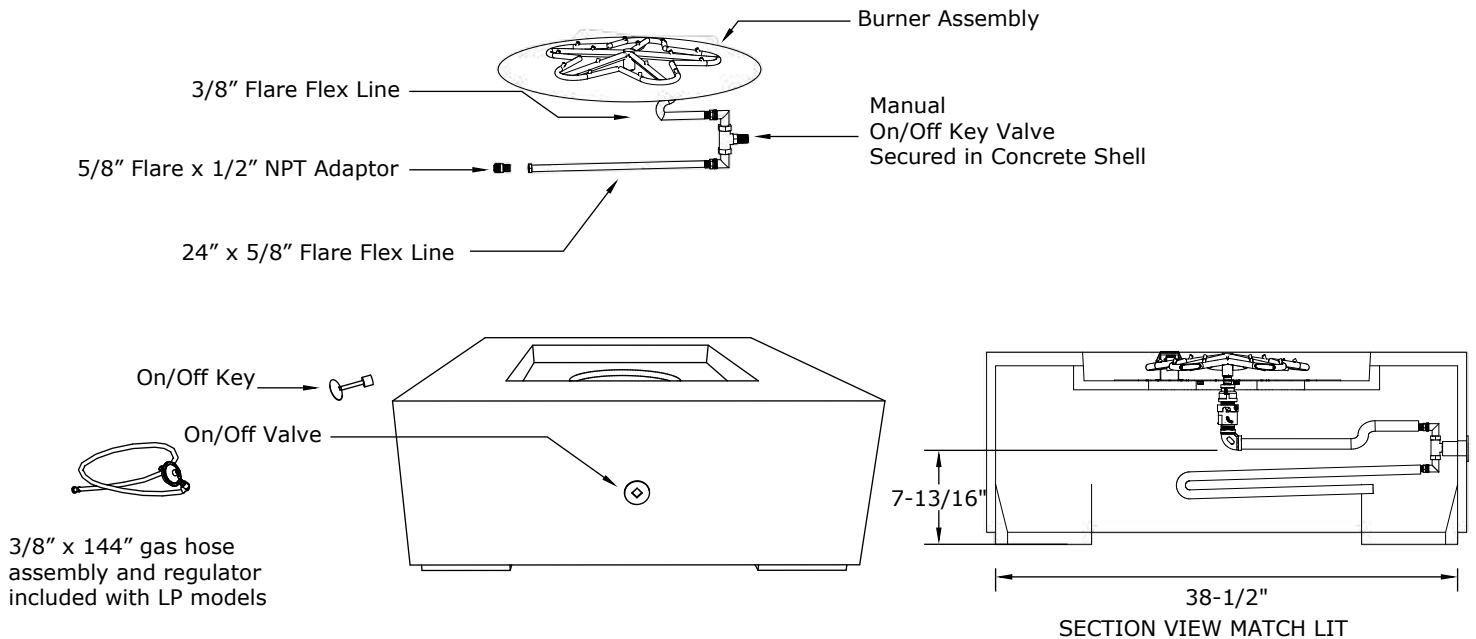


Clearances



Burner Assembly

18" Match Lit Burner

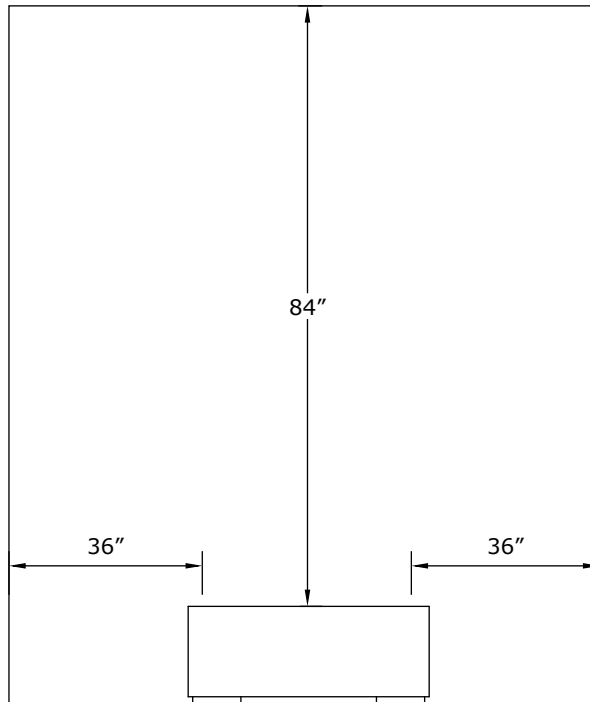




Clearances

Overhead solid structure:
(Floor, overhang, pergola or screen)

Residential or Commercial Building on no more than 2 sides.



Solid structure or combustible on no more than 2 sides.
- 12" minimum clearance for noncombustible materials.

Note:
Electronic ignition burners require a fixed piping gas supply. Not for use with portable LP tanks.

Note:
Deck Installation - if installing fire pit on a wood or composite deck, it is required to use the deck insulation kit. Kit includes basalt material and instructions.

Burner Assembly

Electrical:
120V Outdoor receptacle required. Must be installed and grounded in accordance with local codes.

18" Electronic Ignition Burner

