

The Element fire pit is handmade by Dekko in North America. Ships with your choice of NG or LP burner, one decorative aggregate option and chrome On/Off key.

Size: 20-1/2"W x 16"H  
 CSA/UL Approved Burner Assembly

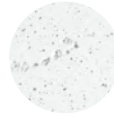


	Manual Ignition	Electronic Ignition
BTU/Hr	65,000	90,000
Weight	50 lbs	50 lbs
Fuel Options	NG/LP	NG/LP

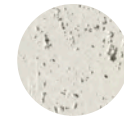
**Optional Accessories:**

- Propane Tank Cover 21"H x 16"W x 16"D
- Vinyl Weather Cover
- Powder Coated Aluminium Table Top 20-1/2"D

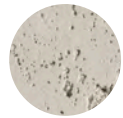
**Colour Options**



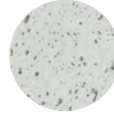
NATURAL



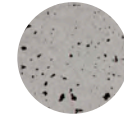
LIMESTONE



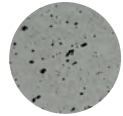
CLAY



ASH



SANDSTONE



CHARCOAL

**Decorative Aggregate Options**



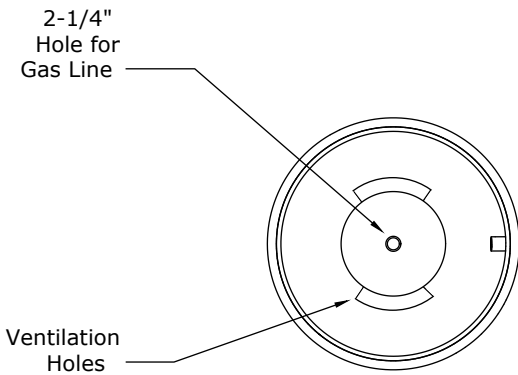
IVORY BEACH STONE



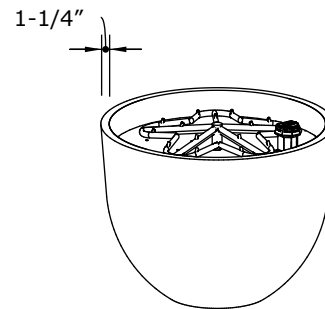
SLATE BEACH STONE



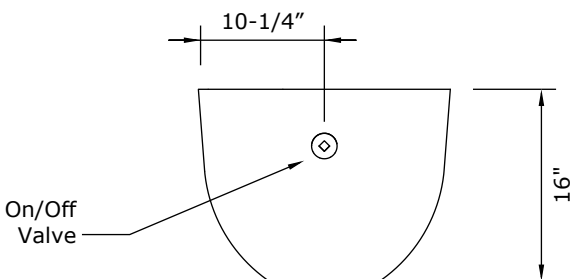
BLACK LAVA ROCK



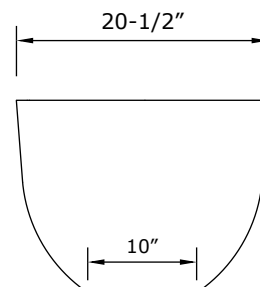
PLAN VIEW



PERSPECTIVE VIEW



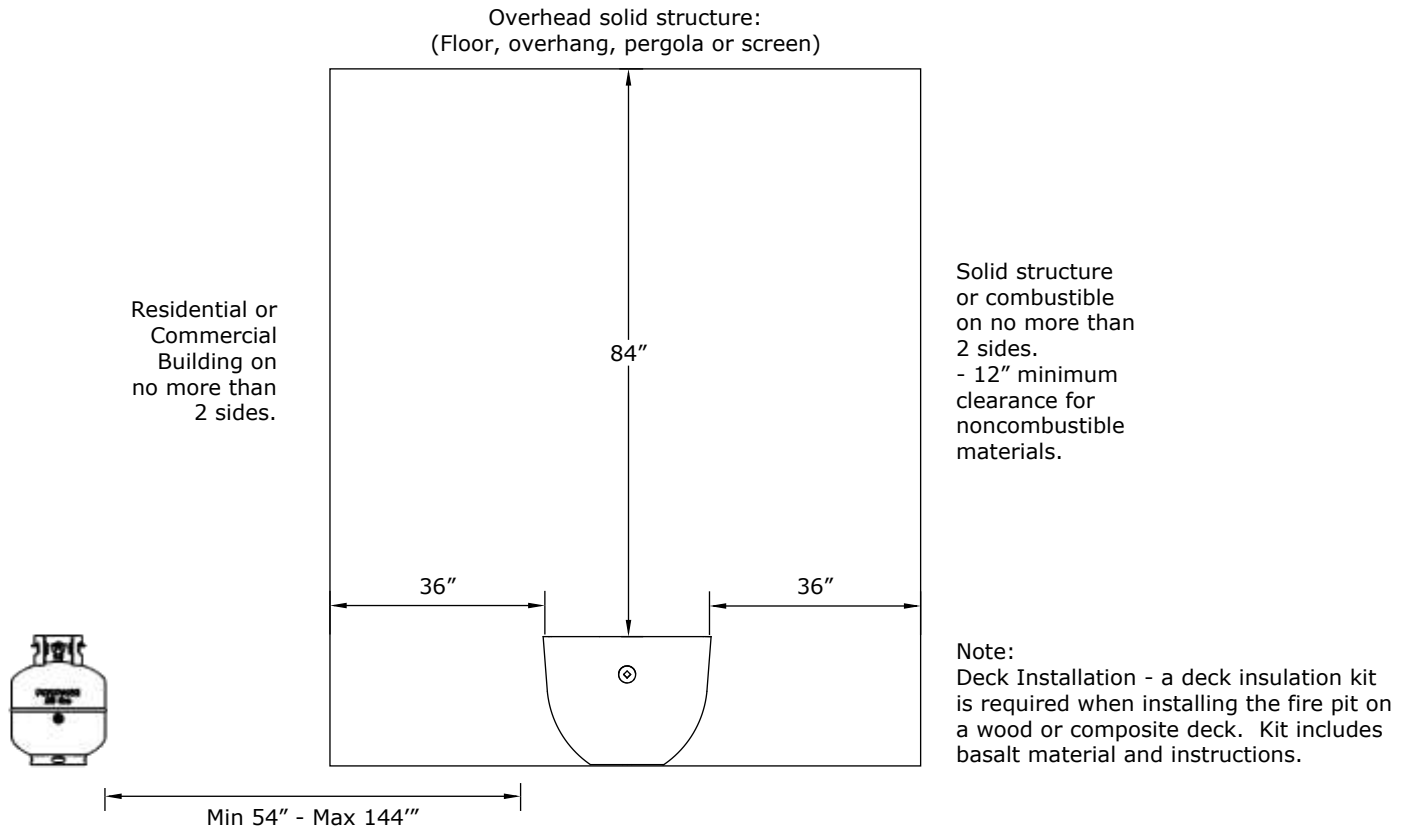
FRONT ELEVATION



SIDE ELEVATION

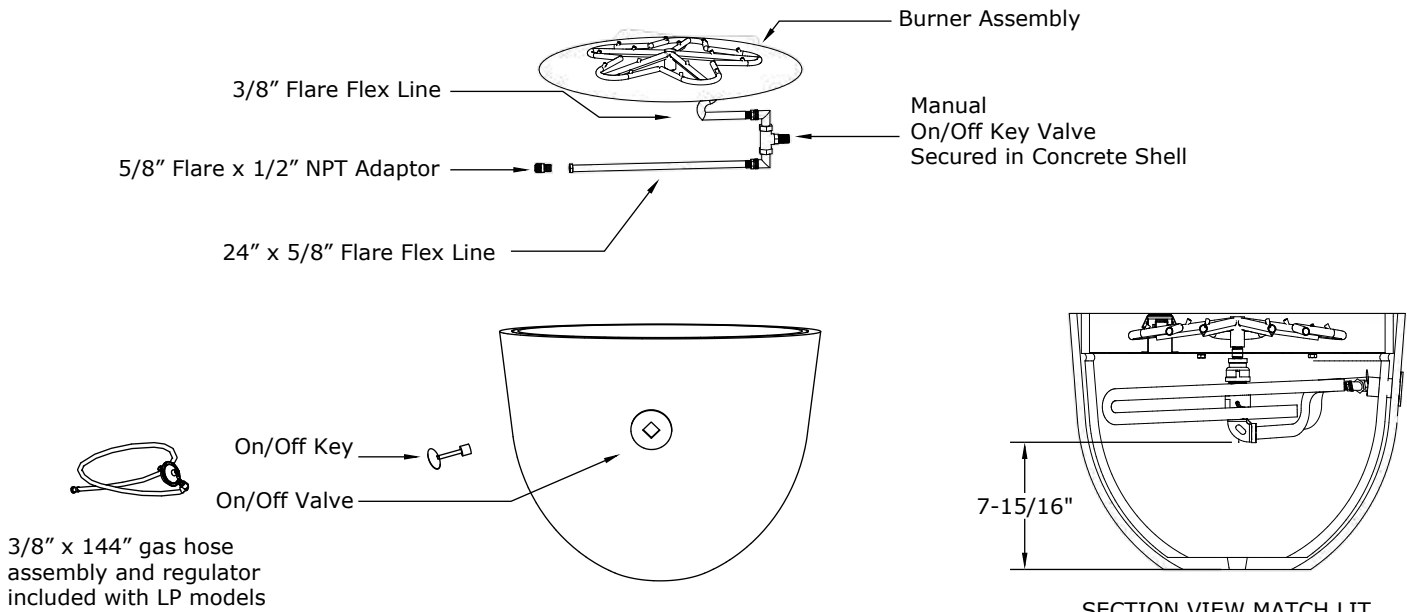


### Clearances

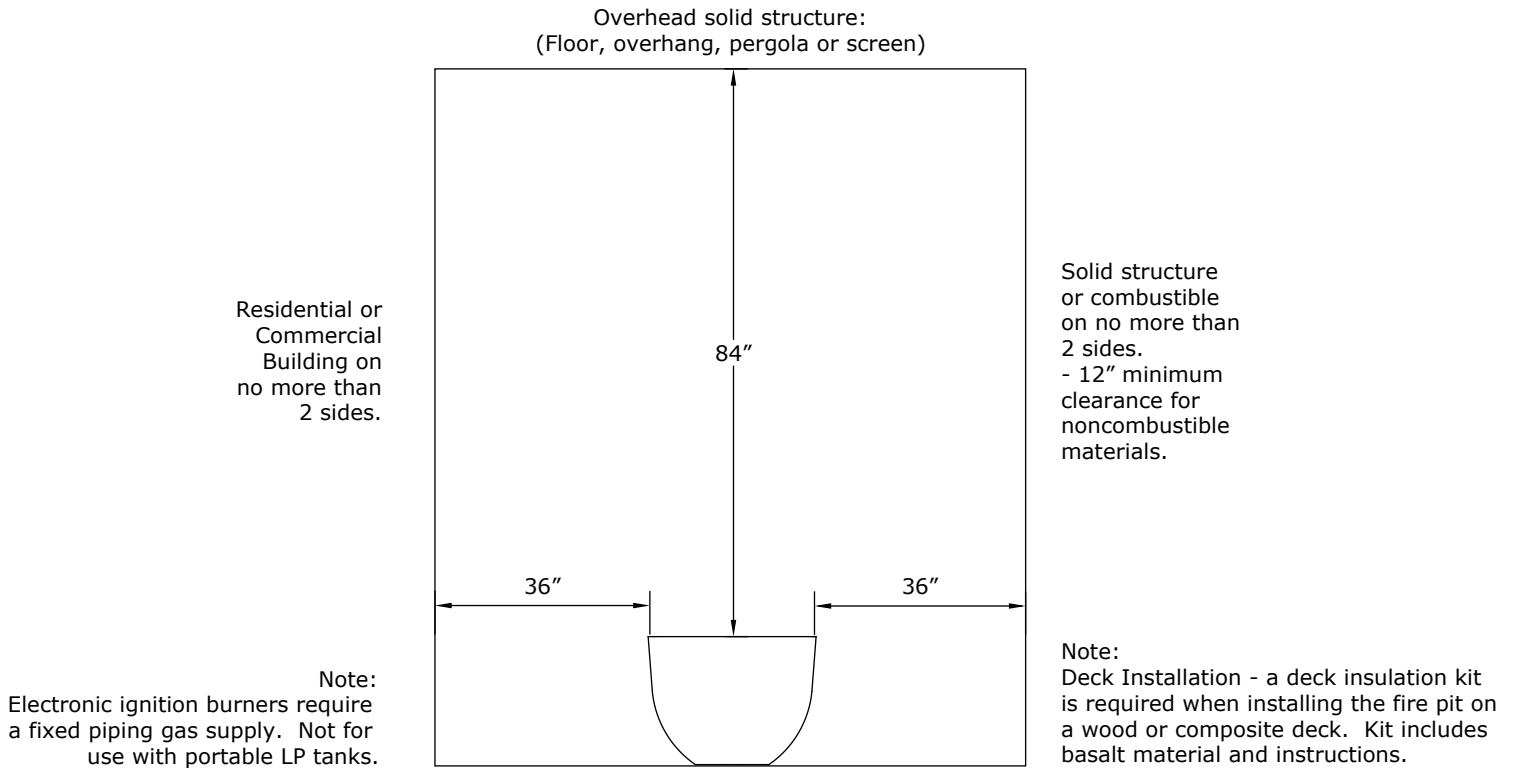


### Burner Assembly

#### 18" Match Lit Burner



### Clearances



### Burner Assembly

#### Electrical:

120V Outdoor receptacle required. Must be installed and grounded in accordance with local codes.

18" Electronic Ignition  
Burner

