

ISOKERN

VENT-FREE
Gas Fireplace



Vent-Free 36"
Indoor Application
Split Firebrick - Cream
Herringbone Pattern
Twilight Split Log Set

Defining THE LIMITS *of gas fireplaces*

Gas fire knows no bounds. Neither should fireplaces. The Vent-Free Series can be installed in less traditional areas of your house or even outdoors. With its large finished openings and see-through availability, the Vent-Free Series is perfect in multi-family, new homes, a remodeling design or pool concept.



Insight into our technology



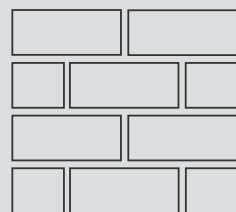
Extracted from Iceland's Mt. Hekla volcano, Isokern products are made from the cleanest, purest pumice. Manufactured in the United States, our masonry components cradle the raw power of fire in the safest, most energy-efficient material on earth. Isokern allows architects and their clients to pursue their most inspired designs, while connecting with the natural beauty of fire in a way that, until now, only nature could.



Vent-Free 46"
Outdoor Application
Split Firebrick - Red
Running Bond Pattern
Evening Fyre Log Set

For True CRAFTSMANSHIP
HAND LAID *Firebrick*

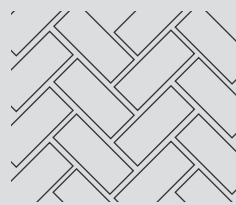
Choose from an array of firebrick options that will suit any interior decor. Shown below are examples of the most distinctive patterns that deliver the true craftsmanship quality to all Isokern products.



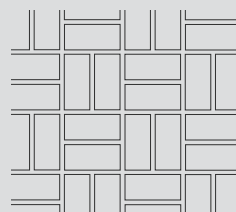
Running Bond



Stack Bond



Herringbone



Basket Weave

Firebrick Sizes:
Full - 9" x 4½" x 2½"
Split - 9" x 4½" x 1¼"
Soap - 9" x 2" x 1¼"

Highly DETAILED
LOG SET *Selection*

Lively flames and a large ember bed highlight the handcrafted logs, adding efficient heat and unmatched beauty to your fireplace. Included with each log set is the variable flame height remote control with electronic ignition that gives you precision control.



Twilight Split - 24"/30"



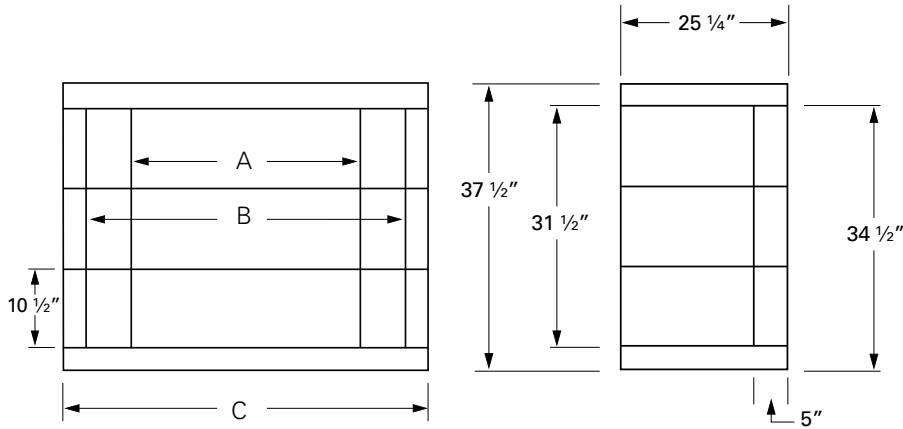
Aged River Pine - 24"/30"



Evening Fyre - 24"/30"



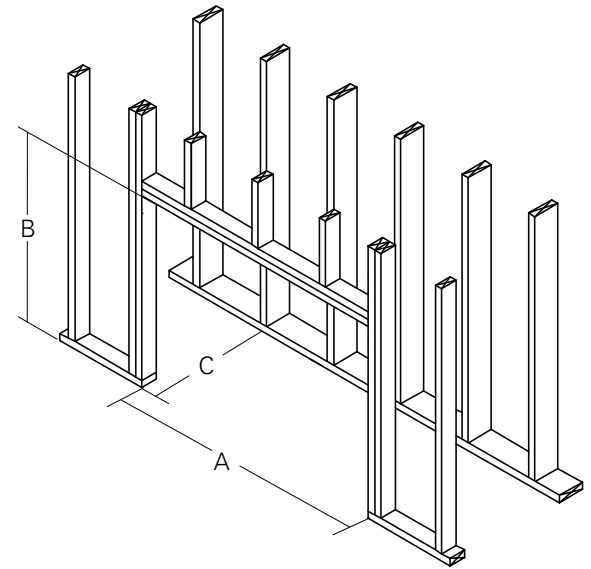
VENT-FREE 36", 42" & 46"



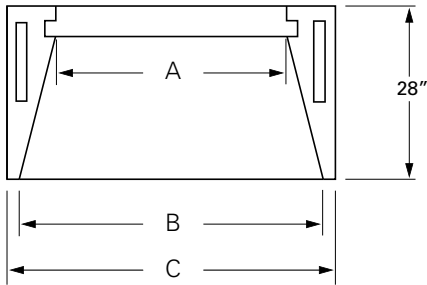
VENT-FREE	A	B	C
36" MODEL	27 1/4"	38 3/8"	43"
42" MODEL	33 1/4"	44 1/2"	49"
46" MODEL	37 1/4"	48 1/2"	53"

Note: These are inside rough dimensions before firebrick

Framing Dimensions



VENT-FREE	A	B	C
36" MODEL	43"	37 1/2"	25 1/4"
42" MODEL	49"	37 1/2"	25 1/4"
46" MODEL	53"	37 1/2"	25 1/4"

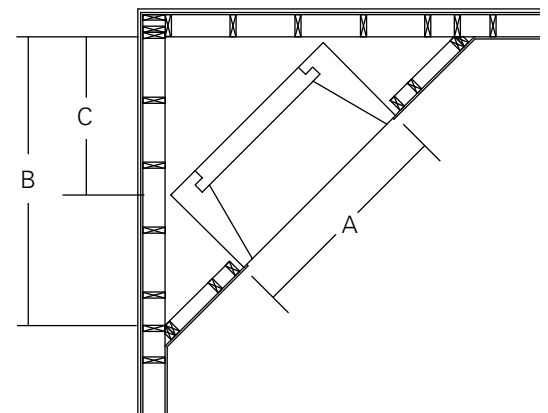


Log Set Size & Efficiencies

VENT-FREE	SIZE	FUEL	BTU/HR
36" MODEL	24"	NG/LP	19k/37k
42" MODEL	30"	NG/LP	19k/37k
46" MODEL	30"	NG/LP	19k/37k

IMPORTANT NOTES: As with any heating appliance, fireplace or stove, this fireplace is extremely hot during operation. Read and understand all operating instructions before using this fireplace. For further information, consult your dealer. Local conditions, such as elevation, wind, vent configuration and choice of fuel will affect overall appearance of the fire and heating performance. Performance can also vary with home design and insulation, climate, condition and type of fuel used, appliance location, burn rate, accessories chosen and how the appliance is operated.

Diagrams, illustrations and photographs are not to scale - consult installation instructions. Product designs, materials, dimensions, specifications, colors and prices are subject to change or discontinue without notice.



VENT-FREE	A	B	C
36" MODEL	43"	49 3/4"	32 1/2"
42" MODEL	49"	52 3/4"	37"
46" MODEL	53"	54 3/4"	39 1/2"

Featured on the Cover: Vent-Free 36"
Split Firebrick - Cream, Running Bond Pattern

earthcore[®]

©2016 Earthcore Industries, LLC
MKG1002_1116



Visit us online earthcore.co



Tested & Listed to
UL 127, ULC S610