



Features

Easily convert from contemporary to traditional looks while using the same burner

Meets requirements for efficiency rebates

Field propane convertible

Convertible to 4/7

Convertible to co-linear

Mobile home compatible

DELRAY

SQUARE

SPECIFICATIONS AND FEATURES

DELRAY FULL LOAD SQUARE

DELRAY BASIC SQUARE

DRSQ38 DRSQ38-2

Single sided
Direct vent

QUICK DIMENSIONS

	DRSQ38	
	UNIT	FRAM.
F.WIDTH	38	40
B.WIDTH	20 ³ / ₈	40
HEIGHT	38	44 ⁷ / ₁₆
DEPTH	16 ¹ / ₂	18
VIEWING	33 ¹¹ / ₁₆ x 22 ⁷ / ₈	

Standard

Concealed universal burner

Multi-function remote control

Remote controlled fans

Invisimesh screen

Battery backup

Halogen downlighting

Options

Heat management

Adjustable trim kit

Traditional logsets

Contemporary scenes

Traditional and contemporary liners

Propane conversion kit

Speckled stones, glass media

Standard

Concealed universal burner

Options

Heat management

Adjustable trim kit

Remote control

Fans

Invisimesh screen

Traditional and contemporary liners

Propane conversion kit

Battery backup

Traditional logsets

Contemporary scenes

Speckled stones, glass media



BTU LISTING

DRSQ38NI / 20,500
DRSQ38LI / 16,500

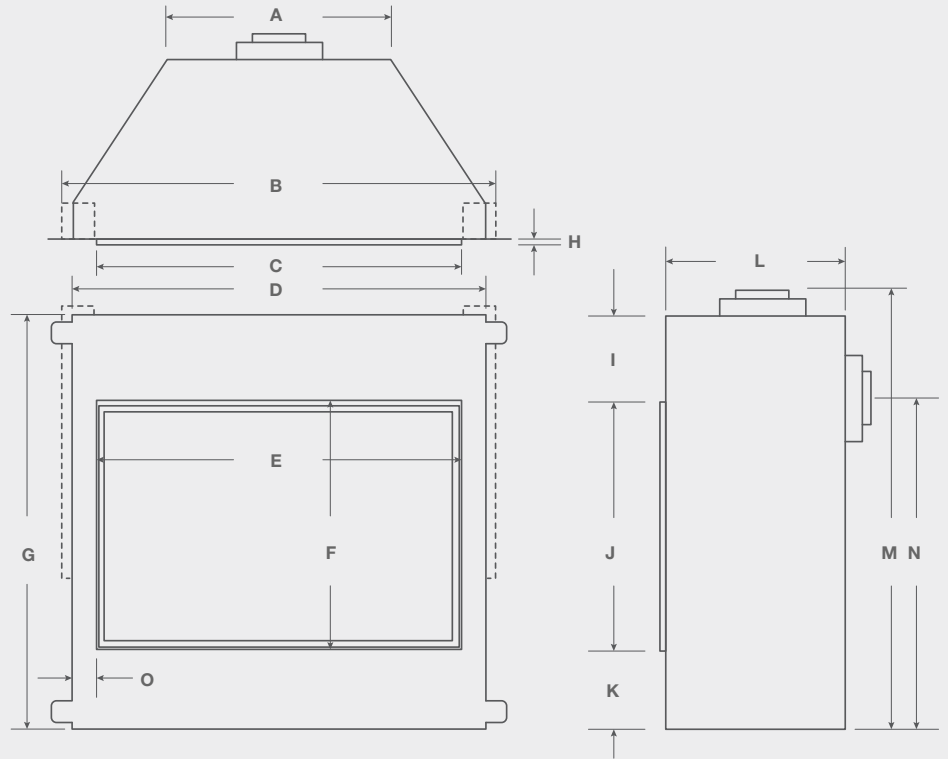
DRSQ38NI-2 / 24,000
DRSQ38LI-2 / 19,500

EFFICIENCY

DRSQ38NI / 63% P.4. 1-15
DRSQ38LI / 61% P.4. 1-15

DRSQ38NI-2 / 64% P.4. 1-15
DRSQ38LI-2 / 61% P.4. 1-15

DELRAY SQUARE DIMENSIONS



	A	B	C	D	E	F	G	H	I	J	K	L	M	N	O
DRSQ38	20 ³ / ₄	39 ¹ / ₁₆	33 ³ / ₄	38	33 ¹ / ₁₆	22 ⁷ / ₈	38	1/2	8 ³ / ₄	22 ¹ / ₁₆	7 ¹ / ₄	16 ¹ / ₂	40 ⁵ / ₁₆	30 ¹ / ₂	2 ¹ / ₈



DELRAY / SQUARE / DRSQ38NI-2 / TWILIGHT SCENE



DELRAY / SQUARE / DRSQ38NI-2 / WINTER SCENE



REMOTE^A
RX200**



WALL REMOTE[†]
REC1493



DOWNLIGHTING^A



TRADITIONAL
LOGETS
LGS**38



CONTEMPORARY
SCENES
CS*38



TRIM KIT
DRSQT***

^AStandard on DRSQ38NI-2
[†]Optional on DRSQ38NI-2 only

OPTIONS &
FEATURES



GREY
HERRINGBONE
DRSQBK38GH



GREY
LEDGESTONE
DRSQBK38GL



ASH FLUTED
DRSQBK38AF



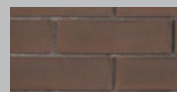
BLACK GLASS
RBGDRSQ38



VINTAGE BRICK
DRSQBK38VB



TAN BRICK
DRSQBK38TB



RED BRICK
DRSQBK38RB

LINERS

Cool Wall Advantage

Diverting heat away from the wall, keeping your tv or artwork safe



TV kits include

Louver

Plenum

Collars

Requires flex venting

TV KIT CODES

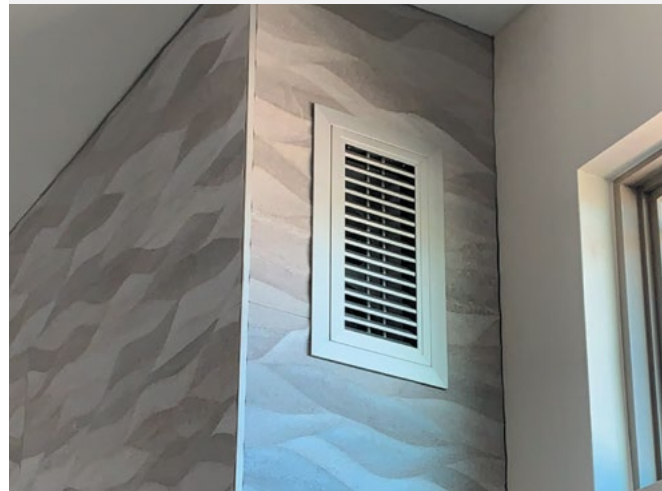
36" WALL KIT / HDKPD36

MONTIGO / COOL WALL ADVANTAGE / SIDEWALL / HORIZONTAL



Cool Wall Advantage TV and sidewall kit plenums are finished with aluminum and are ready to match any interior with your choice of high temperature paint.

MONTIGO / COOL WALL ADVANTAGE / SIDEWALL / VERTICAL



Sidewall kits include

2 Louvers

2 Plenums

Collars

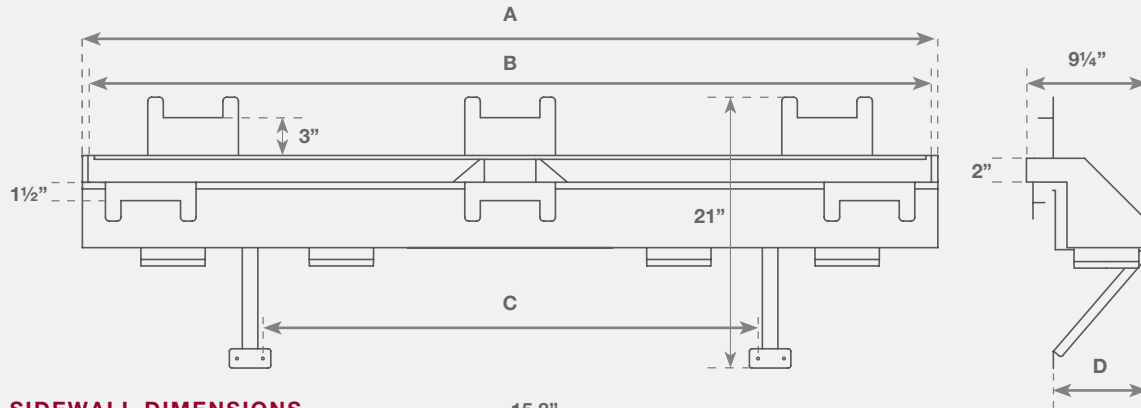
Requires flex venting

SIDEWALL KIT CODES

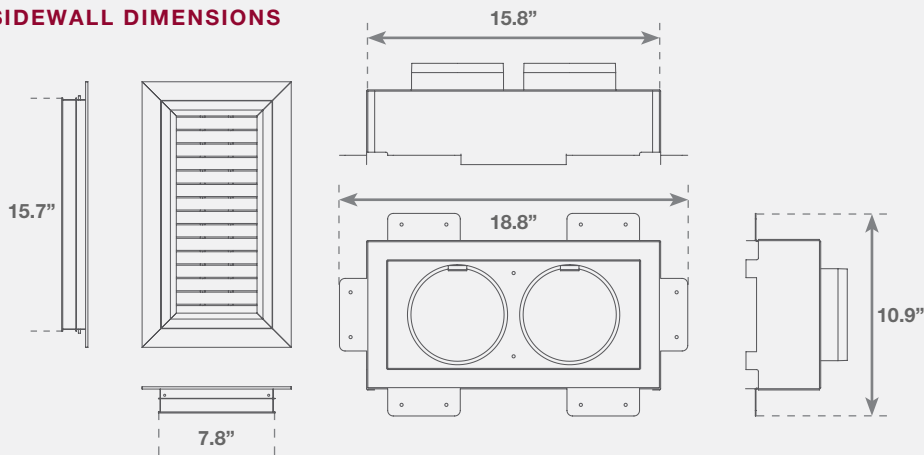
HOR. WALL KIT / HDKSD

VER. WALL KIT / HDKSVD

COOL WALL KIT DIMENSIONS



SIDEWALL DIMENSIONS



	A	B	C	D
36" TV Kit	39 ¹⁵ / ₁₆	38 ⁷ / ₈	N/A	7 ¹ / ₁₆



170°F / 76°C Heat Vent

Heat is diverted through the Cool Wall Advantage kit, safely bypassing the space above the fireplace.

100°F / 37°C Cool Wall†

Wall temperature is cool, creating an area safer for mounting a TV, or hanging artwork. Wood can even be used as a facing material when using the cool wall kit or by simply opening up the venting ports.‡

510°F / 265°C Glass

Reduced glass temperature, combined with the provided screen creates a safe viewing area.

† 100°F wall temperature is taken at 12" above glass opening.

‡ See manual for restrictions on facing materials



Unit Specifications

Icon Legend

AVAILABLE +

NOT AVAILABLE -

DEDICATED ◊

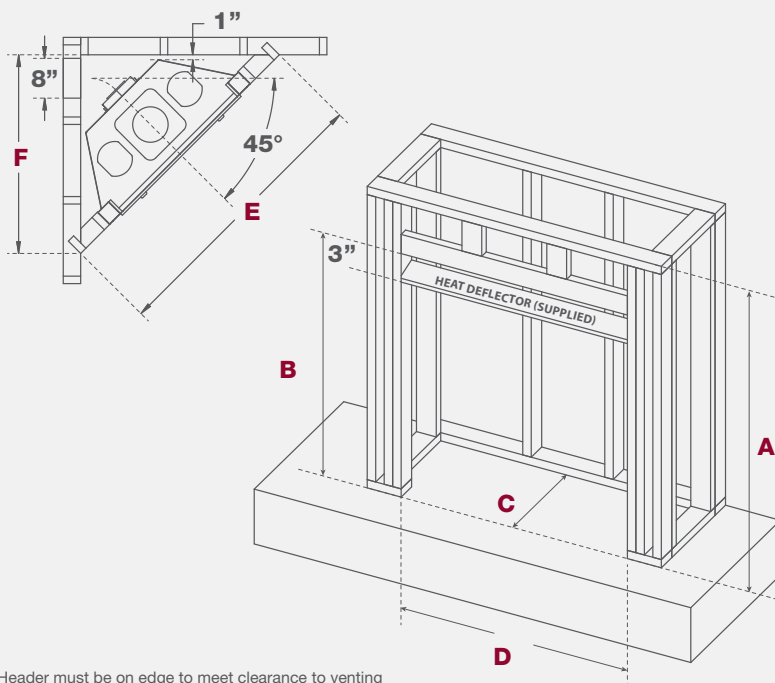
STANDARD ○

	BTU Natural Gas	BTU Liquid Propane	Venting	Clearance Top - Top Vent	Clearance Rear - Top Vent	Clearance Sides	Clearance Back	Clearance Floor	Clearance Mantel	Front Viewing Area	Front Glass Type	Standard Media	Invisimesh Screen	Powervent	Remote Control	Fans	Uplighting	Downlighting
DRSQ38*I-2	24,000	19,500	5"/8" ^a	21	17	0	1½	0	6	33 ¹ / ₁₆ X 22 ⁷ / ₈	Borosilicate	n/a	○	+	○	○	-	○
DRSQ38*I	20,500	16,500	5"/8" ^Δ	21	17	0	1½	0	6	33 ¹ / ₁₆ X 22 ⁷ / ₈	Tempered	n/a	+	+	+	+	-	-

^ΔCan be reduced to 4"7"

DELRAY SQUARE FRAMING

	Flex	Rigid					
Top vented	A	A	B	C	D	E	F
DRSQ38	59	62 ¹ / ₈	44 ⁷ / ₁₆	18	40	56 ¹ / ₂	40
Rear vented	A	B	C	D	E	F	
DRSQ38	55	44 ⁷ / ₁₆	18	40	56 ¹ / ₂	40	



Header must be on edge to meet clearance to venting

Heat deflector only required on full load units

DELRAY SQUARE WOOD FACING

