



SERENADE

The Serenade fire pit is handmade by Dekko in North America. Ships with your choice of NG or LP burner, one decorative aggregate option and chrome On/Off key.

Size: 32"W x 16"H
CSA/UL Approved Burner Assembly

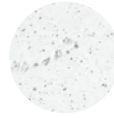


	Manual Ignition	Electronic Ignition
BTU/Hr	65,000	140,000
Weight	90 lbs	90 lbs
Fuel Options	NG/LP	NG/LP

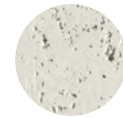
Optional Accessories:

- Propane Tank Cover 16"W x 16"D x 21"H
- Glass Wind Guard 23"D x 6"H
- Vinyl Weather Cover
- Powder Coated Aluminium Table Top 32"D

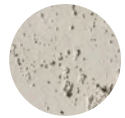
Colour Options



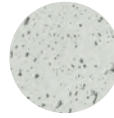
NATURAL



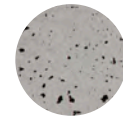
LIMESTONE



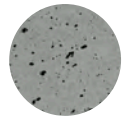
CLAY



ASH



SANDSTONE



CHARCOAL

Decorative Aggregate Options



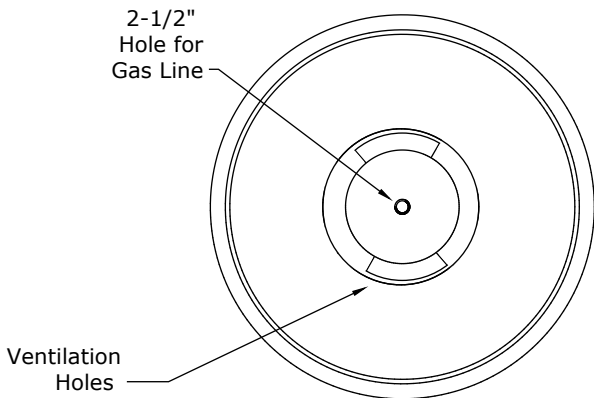
IVORY BEACH STONE



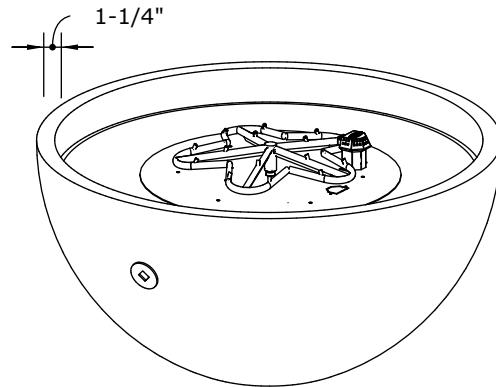
SLATE BEACH STONE



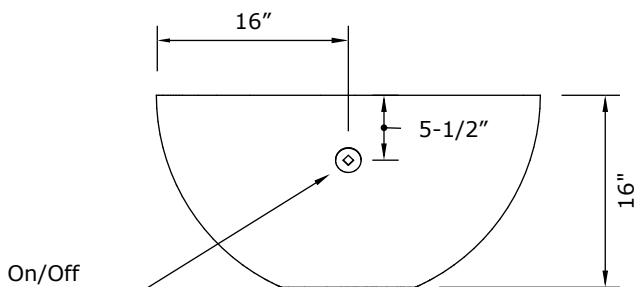
BLACK LAVA ROCK



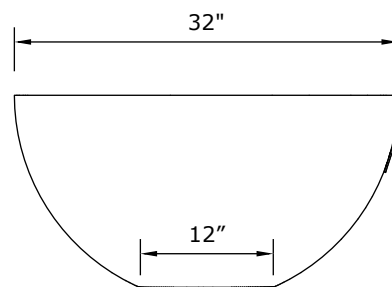
PLAN VIEW



PERSPECTIVE VIEW



FRONT ELEVATION

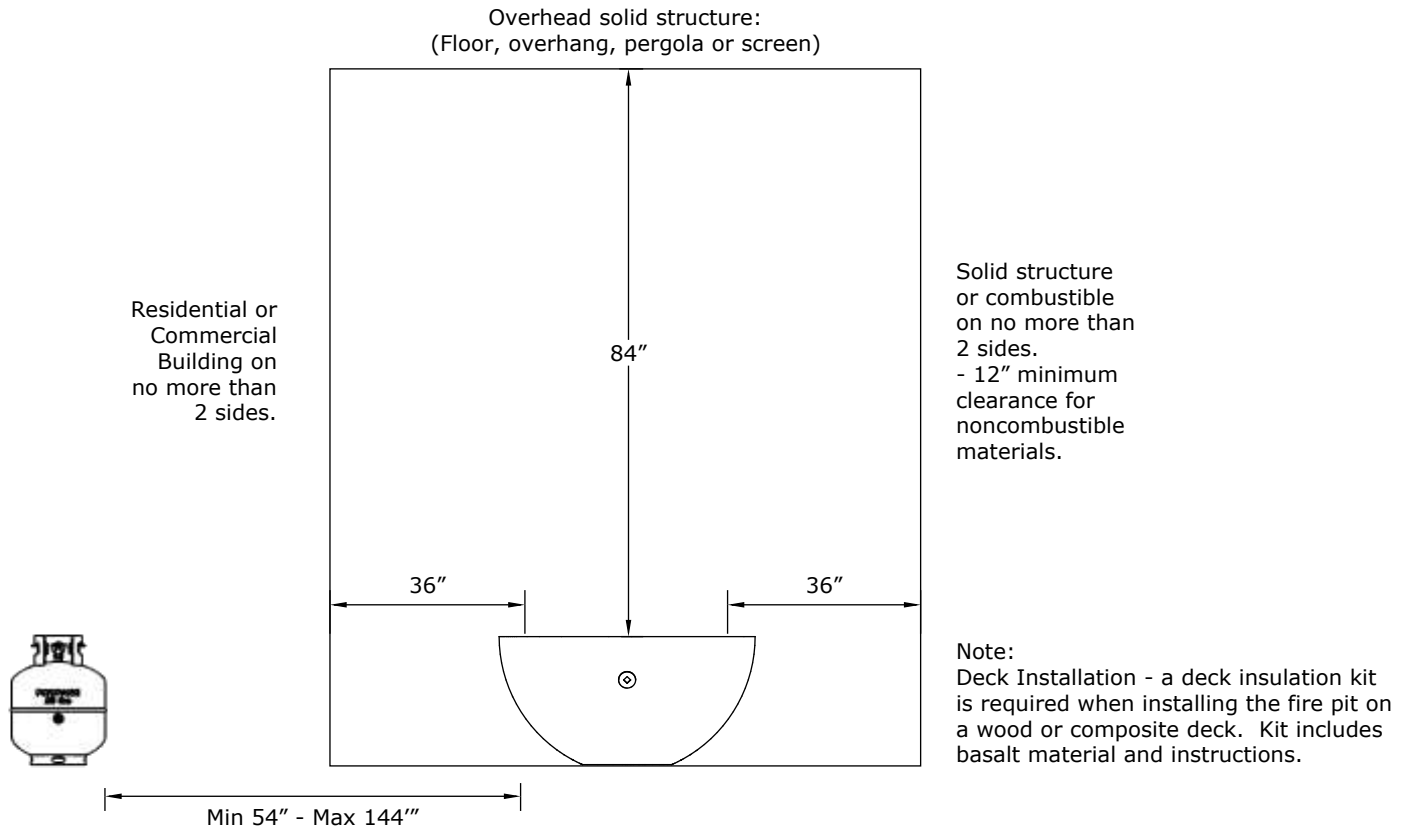


SIDE ELEVATION



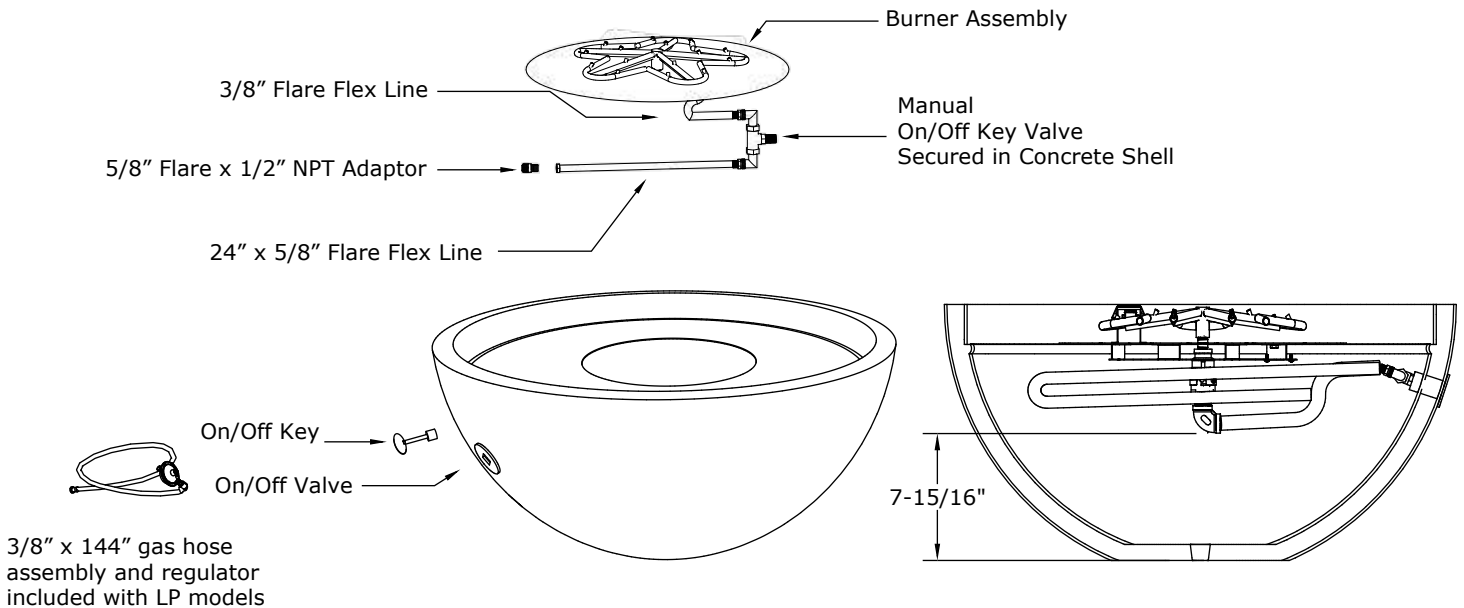
SERENADE Manual Ignition

Clearances



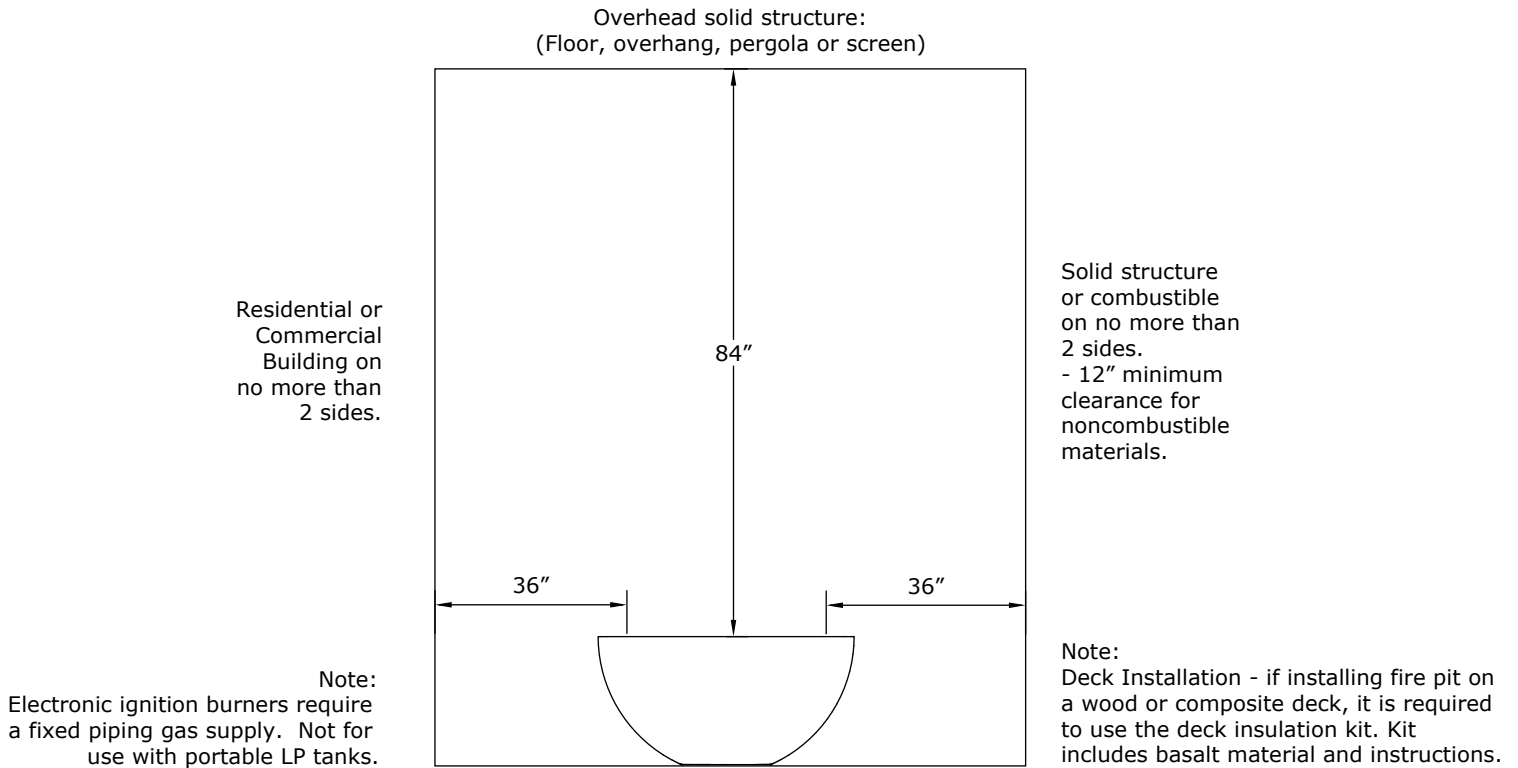
Burner Assembly

18" Match Lit Burner





Clearances



Burner Assembly

Electrical:

120V Outdoor receptacle required.
Must be installed and grounded in accordance with local codes.

24" Electronic Ignition Burner

