

VRE4500 SERIES

 CUSTOM SERIES VENT-FREE GAS FIREBOXES

OUTDOOR


Our name is our promise.

TRADITIONAL

“Captivating” is the only way to describe these massive fireboxes. Designed for large outdoor applications, the VRE4500 Custom Series Vent-Free Gas Fireboxes feature a 30” tall opening, long lasting stainless steel construction and beautiful refractory panels for a realistic appearance.



FEATURED VRE4542 with White Stacked Refractory Panels

EXCLUSIVE FEATURES

- 🔥 Available in 36", 42", and 50" models
- 🔥 Fully insulated firebox for increased performance in colder climates
- 🔥 Refractory Panels available in a variety of patterns and colors
- 🔥 Includes stainless steel mesh fire screens
- 🔥 Dual (left hand/right hand) outside air kits available for maximum performance
- 🔥 Stainless steel construction for long lasting outdoor use
- 🔥 20 year limited warranty



FEATURED VRE4542 with White Stacked Refractory Panels and VTDGT Series gas log sets

INTERIOR PANEL OPTIONS

(Required)

Choose from stacked or herringbone patterns.



White Stacked



White Herringbone

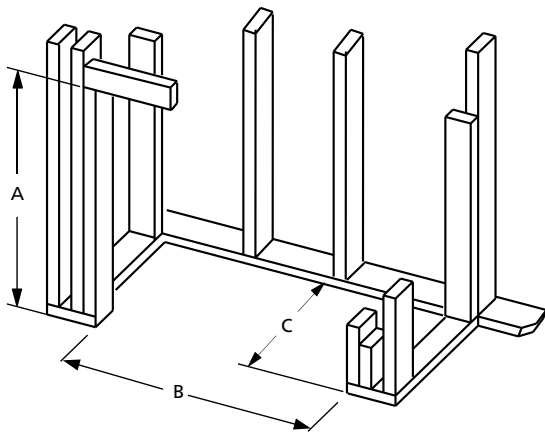
VENT-FREE GAS LOGS

(Optional)



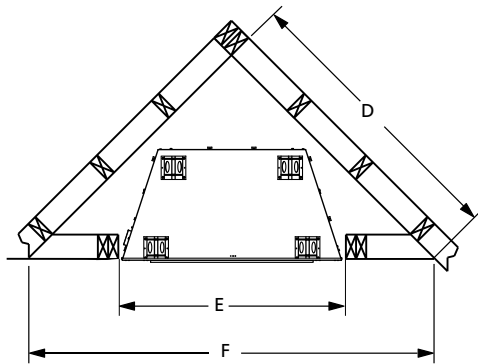
VTDGT Giant Timbers
Indoor/Outdoor Gas Log Set

FLAT WALL FRAMING SPECIFICATIONS



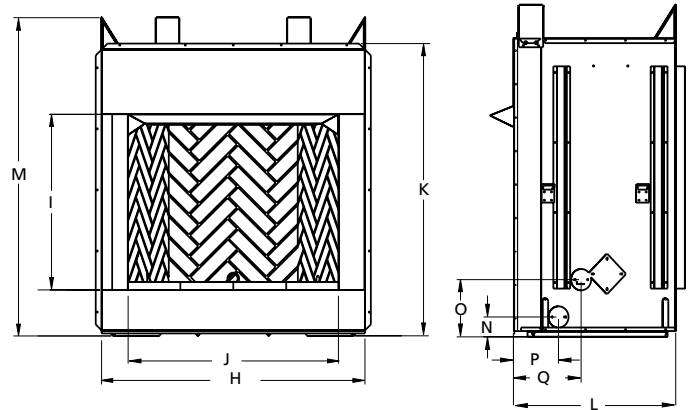
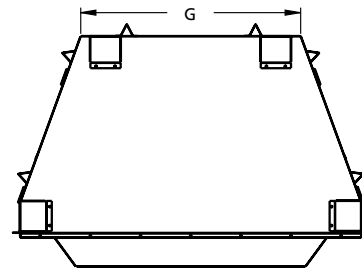
	VRE4536	VRE4542	VRE4550
A	54-5/8"	54-5/8"	54-5/8"
B	45-3/8"	51-3/8"	59-3/8"
C	28-1/4"	30-1/8"	30-1/8"

CORNER FRAMING SPECIFICATIONS



	VRE4536	VRE4542	VRE4550
D	61"	65"	71"
E	45-3/8"	51-3/8"	59-3/8"
F	86-1/2"	92"	100"

APPLIANCE SPECIFICATIONS



	VRE4536	VRE4542	VRE4550
G	29"	30-5/16"	38-5/16"
H	45-1/8"	51-1/8"	59-1/8"
I	30"	30"	30"
J	36"	42"	50"
K	49"	49"	49"
L	28"	30"	30"
M	54-1/2"	54-1/2"	54-1/2"
N	3-5/16"	3-5/16"	3-5/16"
O	9-7/16"	9-7/16"	9-7/16"
P	7-3/8"	8-3/4"	8-3/4"
Q	11-1/8"	13"	13"

IMPORTANT NOTES:

As with any fireplace, this appliance is extremely hot during operation. Read and understand all operating instructions before using this appliance. For further information, consult your dealer.

Local conditions, such as elevation and choice of fuel will affect overall appearance of the fire and heating performance. Performance can also vary with home design and insulation, ceiling height, accessories chosen and appliance location.

Diagrams, illustrations and photographs are not to scale — consult installation instructions. Product designs, materials, dimensions, specifications, colors and prices are subject to change or discontinuance without notice.

On the cover: VRE4542 with White Stacked Refractory Panels



© 2017 Innovative Hearth Products

785482M 01/17

Visit us online



SuperiorFireplaces.us.com



Report #F09-130