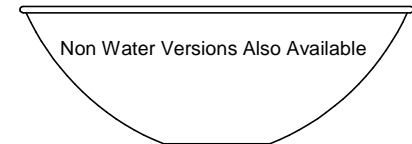
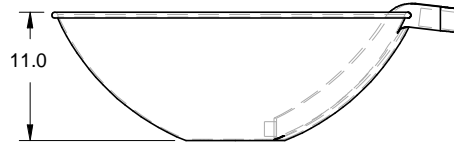
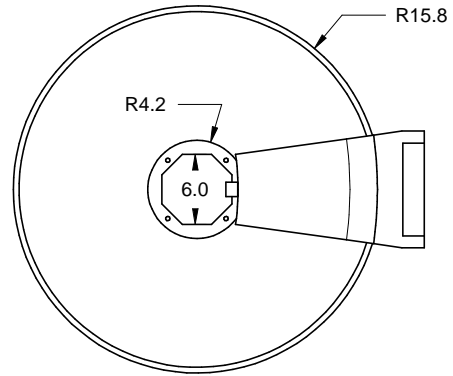
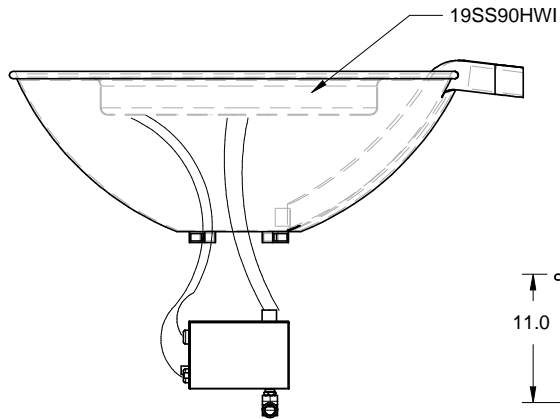



# TEMPE 31

REVISIONS				
ZONE	REV	DESCRIPTION	DATE	APPROVED

Electronic Ignition Column Mount Example  
See Instructions For More Details

Match lit versions also available.



Materials: Fire Bowl - Copper  Electronic Ignition Fire Pit Pan, Burner, and Valve Box Are All 304 Stainless Steel Construction	DRAWN	DATE	TEMP31W-HWI			
	CHECKED		 <b>Hearth Products Controls Co</b>			
	QA					
700~900 GPH Estimated Water Flow	MFG		SIZE <b>A</b>	FSCM NO.	DWG NO.	REV
Available in 120VAC or 24VAC	APPROVED		SCALE	SHEET		