

**Superior**  
FIREPLACES  
*Our name is our promise.*



## TRADITIONAL

This universal vent-free firebox offers a 21" tall opening in a clean-face, louverless look that complements current trends in home design.

### FEATURES

- 🔥 Available in 36" and 42" radiant/circulating models
- 🔥 Tall 21" opening accepts up to 30" vent-free gas logs
- 🔥 Black painted interior with optional ceramic fiber liners
- 🔥 White stacked refractory panel models (sides and back)
- 🔥 Standard heat deflection hood (required)
- 🔥 Includes mesh fire screens
- 🔥 Optional outside air kit
- 🔥 Optional blower available for all models
- 🔥 Standard J-Box kit installed in firebox
- 🔥 Durable textured powder coat finish
- 🔥 20 year limited warranty

### INTERIOR OPTIONS



Black (Painted)

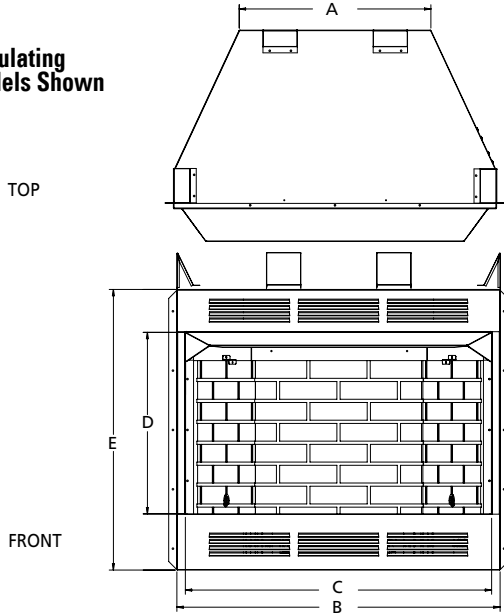


White Stacked

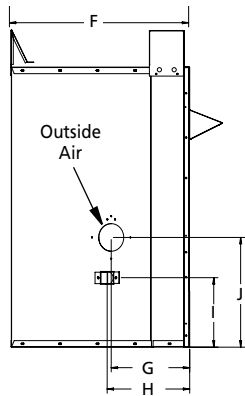
## APPLIANCE SPECIFICATIONS

## OPTIONAL ACCESSORIES

### Circulating Models Shown



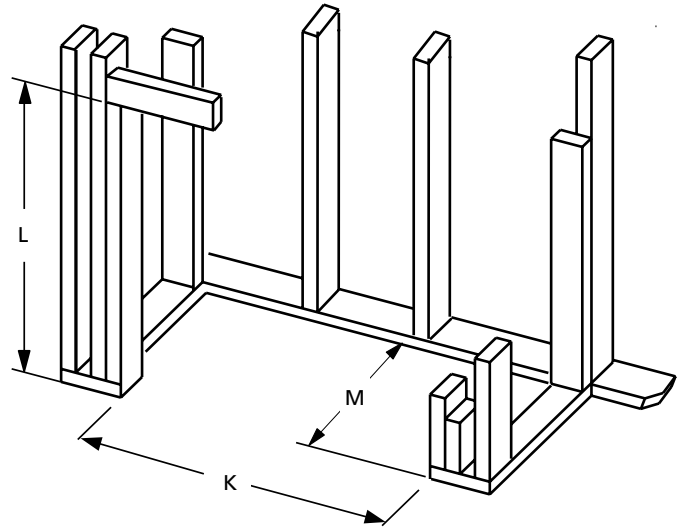
SIDE



- A. White Stacked refractory panels
- B. Outside air kit
- C. Blower kits
- D. Vent free gas log sets

## FRAMING SPECIFICATIONS

	VRT/VCT2036	VRT/VCT2042
K	38-1/4"	44-1/4"
L	37-5/8"	37-5/8"
M	22"	22"



	VRT/VCT2036	VRT/VCT2042
A	22-5/8"	28-5/8"
B	38-1/8"	44-1/8"
C	36-1/8"	42-1/16"
D	21-7/16"	21-7/16"
E	33-1/8"	33-1/8"
F	21-1/8"	21-1/8"
G	9-1/4"	9-1/4"
H	9-3/4"	9-3/4"
I	8-3/16"	8-3/16"
J	12-15/16"	12-15/16"

### IMPORTANT NOTES:

As with any fireplace, this appliance is extremely hot during operation. Read and understand all operating instructions before using this appliance. For further information, consult your dealer.

Local conditions, such as elevation, wind, vent configuration and choice of fuel will affect overall appearance of the fire and heating performance. Performance can also vary with home design and insulation, climate, condition and type of fuel used, appliance location, burn rate, accessories chosen, chimney installation and how the appliance is operated.

Diagrams, illustrations and photographs are not to scale—consult installation instructions. Product designs, materials, dimensions, specifications, colors and prices are subject to change or discontinuance without notice.

Visit us online



SuperiorFireplaces.us.com



© 2014 Innovative Hearth Products

785458M 0714

