

work of art



ZECL-30-3226 Electric Fireplace with log set

## ZECL-30-3226 SPECIFICATIONS

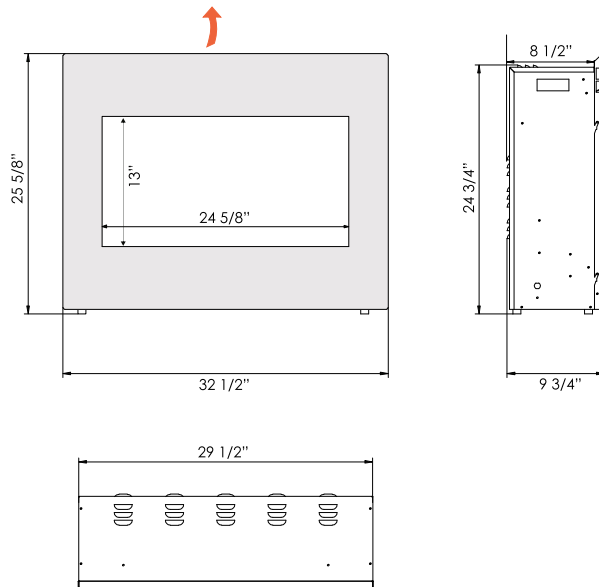


### Hot & Fashionable.

Designed for new construction or renovation projects, the electric ZECL-30-3226 is an excellent alternative to gas or wood fireplaces. Quick and easy installation allows for immediate enjoyment of the state-of-the-art flame and heating system. Comes with three colors of fire glass media & log set.

*The ZECL-30-3226 fits into our optional ZECL-30 Mantel (see page 5.)*

Volts	120
Amps	12.5
Watts	1500 max
Heater On	1500 watts high, 750 watts low
Heater Off	22 watts
Lamps	LED 22 watts
Rotor Motor	1 at 5 watts
Height, Width, Depth	24 3/4 x 29 1/2 x 8 1/2
Glass Viewing Opening	24 5/8 x 13
Surround Size	32 1/2 x 25 5/8
Shipping Size	27 3/4 x 35 1/4 x 12 1/4
Shipping Weight	64 lbs. Glass Included
Cord Length	76"



# ZECL-30 MANTLE



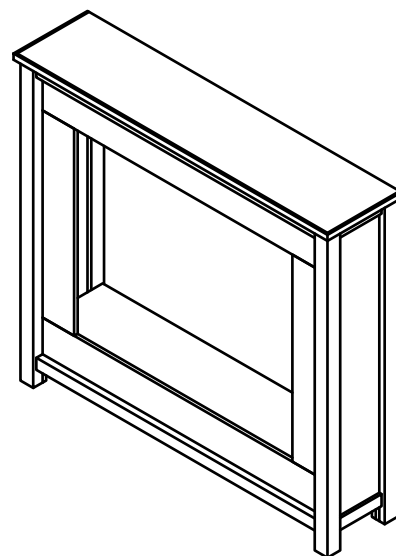
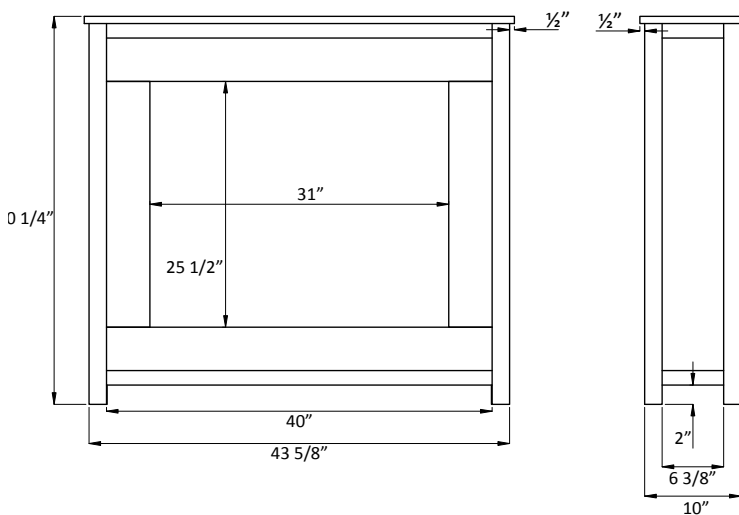
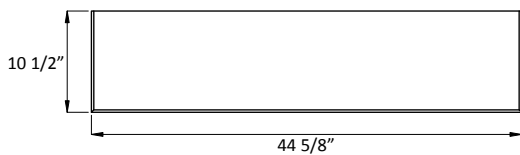
## Quality Craftsmanship.

The ZECL-30 mantle is beautifully hand crafted from maple hardwood and is the perfect mantle to house the ZECL-30-3226. The mantle comes unfinished ready to stain or in Espresso. It is easy to assemble and available only for the ZECL-30-3226.

*Unassembled pieces below.*



Espresso



# ACCESSORIES & FIRE GLASS OPTIONS



ZECL-39-4134 Electric Fireplace with Sun Tea fire glass

## FIRE GLASS COLORS

The three fire glass colors below are included with the WM/BI Series, ZECL Series, BLT-IN Series, WM-50 and WM-3522CF



Hz-01 Clear



Hz-04 Harvest Moon



Hz-09 Sun Tea

### LED EMBER LOG SET

The logs come with both the WM/BI Series, ZECL Series, INSERT Series and the WM-50.



### NEW! 6-PIECE LOG SET

The 6-piece log set comes with the BI-50-DEEP, BI-72-DEEP and WM-BI-2428-VLR models ONLY.  
(available for other models to purchase for an additional charge).



## OPTIONAL FIRE GLASS

The six optional fire glass colors below are available to purchase at an additional charge.



Hz-05 Goldenrod



Hz-06 Blaze



Hz-07 Sunset



Hz-08 Sable



Fire & Ice\*  
Clear and blue diamonds

\* Fire & Ice media is included with the Fire & Ice Series ONLY.  
(available for other models to purchase for an additional charge).

Variations in color and shade are inherent in all printing processes, the actual colors may vary slightly from those shown in this brochure.  
Please visit your local dealer to view a sample.