



# OUTDOOR BUILT-IN SINK

Model #: 3587

**INSTALLER:** Leave these instructions with consumer.  
**CONSUMER:** Retain for future reference.

**IMPORTANT:** READ THESE INSTRUCTIONS CAREFULLY BEFORE STARTING INSTALLATION OR USE



Sink shown here with faucet (not included but available separately, design may vary)

Specification	Value
Counter opening width	14"
Counter opening length	14"
Min. vert. clearance below counter	17"
Counter overlap beyond cutout	1/2"

Table 1-1 Specifications table

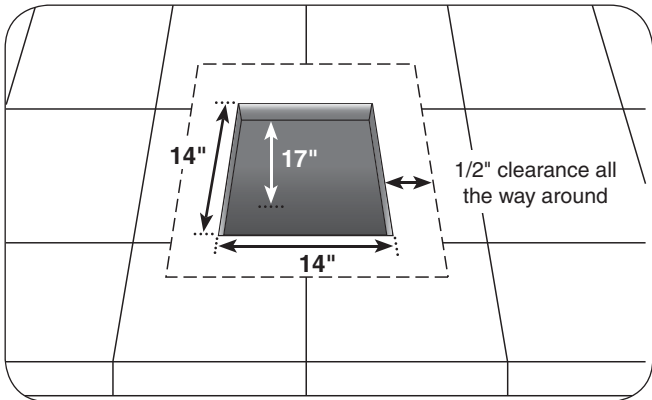


Fig. 1-1 Cut out dimensions detail

## PREPARE FOR INSTALLATION

This product is intended to be used as an outdoor sink and must be installed by a licensed professional plumber according to all applicable local codes.

Prepare a cut-out in the countertop as specified in Table 1-1 and shown in Fig. 1-1. There must be a minimum of 1/2" overlap of the stainless-steel hanger plate on all sides of the opening. The countertop must be completely level for safe and effective operation of this appliance.

Provide for access beneath the sink before and after installation to allow for proper maintenance. Allow for adequate water line and drain connections.

**Important:** All plastic fittings must be hand tightened only! DO NOT use wrenches on plastic fittings.

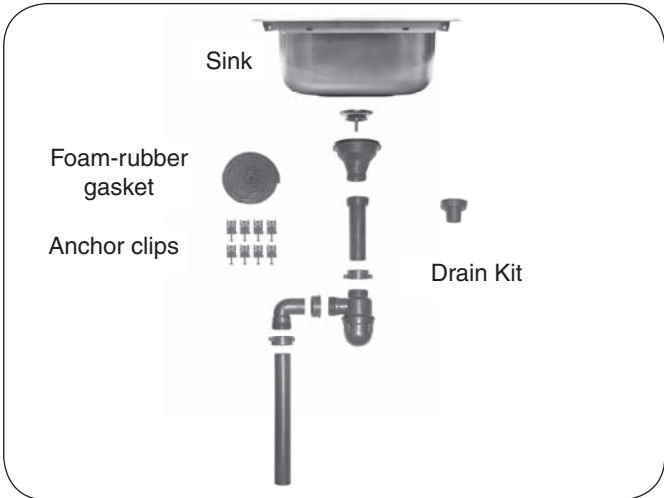


Fig. 1-2 Sink detail

## ATTACH FOAM-RUBBER GASKET

1. Gently place the sink up-side-down on the countertop or other work surface. Locate the foam-rubber gasket and begin to peel away the protective paper.
2. Attach the adhesive side of the foam rubber liner around the under side of the sink lip (see Fig. 1-3).

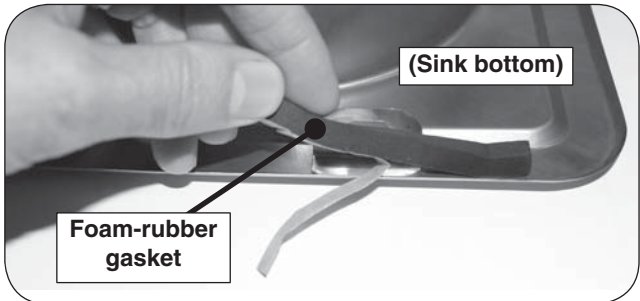


Fig. 1-3 Attach foam-rubber gasket

## SINK INSTALLATION (cont.)

### INSTALL DRAIN ASSEMBLY

1. Pull out the plug from the drain assembly, and remove the exposed retaining bolt using a Flathead screwdriver or a  $\frac{9}{16}$ " nut driver (see Fig. 2-1).
2. Separate the upper drain fitting from the remainder of the drain assembly, being sure to keep one rubber gasket on each part (see Fig. 2-2).
3. Turn the sink on its side, and insert the upper drain fitting into the hole on the bottom of the sink. Ensure the ribbed gasket is between the metal of the sink and the fitting. See Fig. 2-3.
4. Insert the retaining bolt into the upper drain fitting. With the grooved gasket resting in the lower drain assembly, orient the assembly against the bottom of the sink, align with the retaining bolt, and **hand tighten**. See Fig. 2-4.
5. Complete tightening by using the screwdriver / nut driver to apply a final **quarter-turn**.

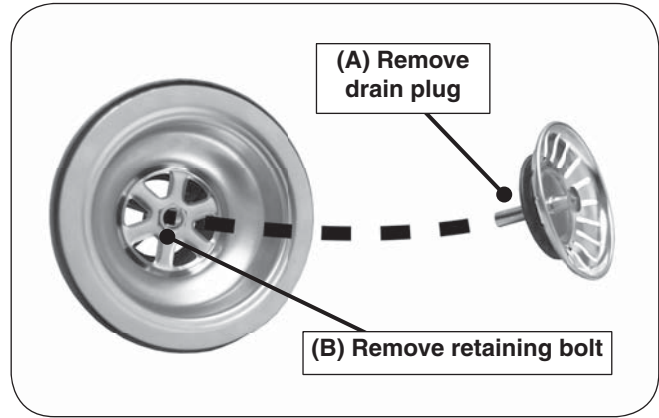


Fig. 2-1 Remove drain plug and retaining bolt

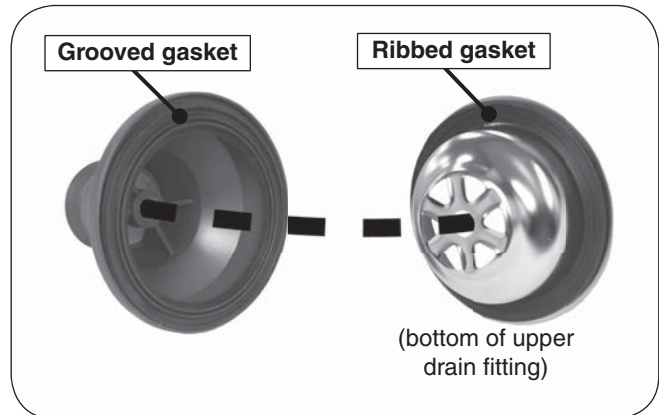


Fig. 2-2 Remove upper drain fitting

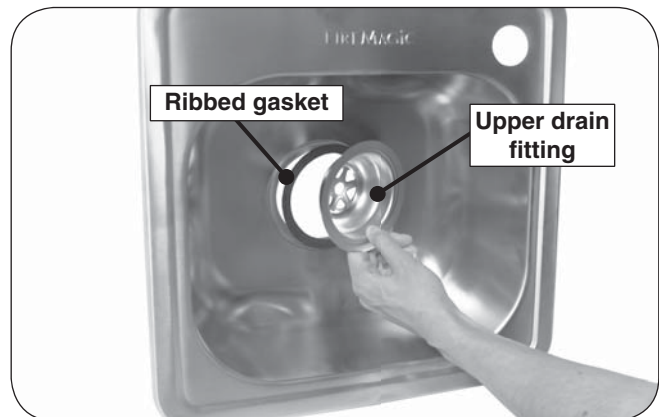


Fig. 2-3 Insert upper drain fitting in sink

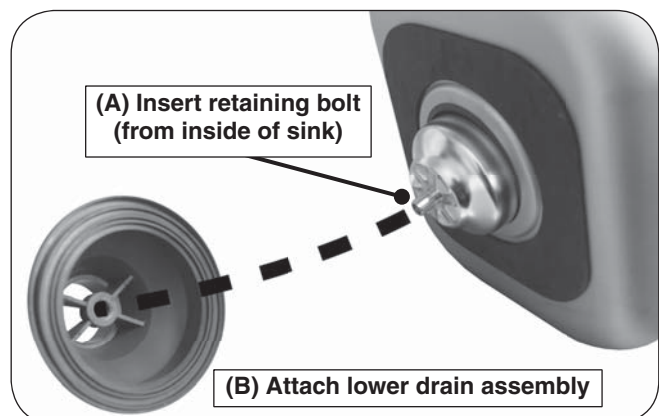


Fig. 2-4 Insert retaining bolt and attach lower drain

## SINK INSTALLATION (cont.)

### INSTALL SINK

1. After application of any silicon sealant, lower the sink into the counter cut-out with the Fire Magic logo toward the back.
2. From underneath the counter, connect the eight anchor clips to the punched tabs around the outside of the sink by snapping them into place as shown in Fig. 3-1.
3. Hook each clip claw under the inside bottom of the counter and tighten the screw until enough tension exists to hold the sink firmly down against the counter (see Fig. 3-2).
4. Install a faucet or plug (not included) into the opening in the top of the sink.
5. Insert the drain plug into the sink drain.

### INSTALL SUPPLIED PIPING

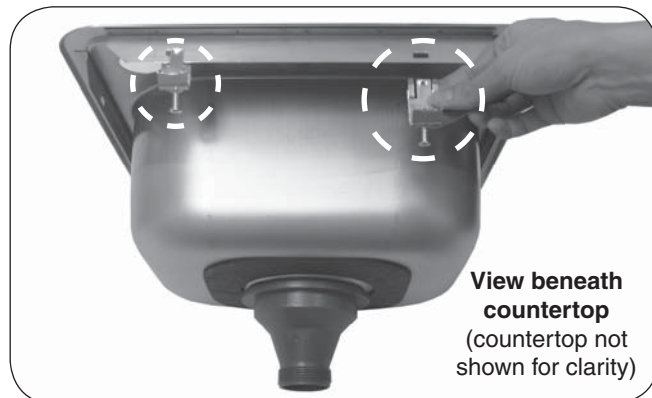
1. Assemble the supplied piping and install to the bottom of the drain assembly. (Various configurations are available for the individual setup. An example is shown in Fig. 3-3.)

Alternatively, the provided hose adapter may be installed to the bottom of the drain assembly.

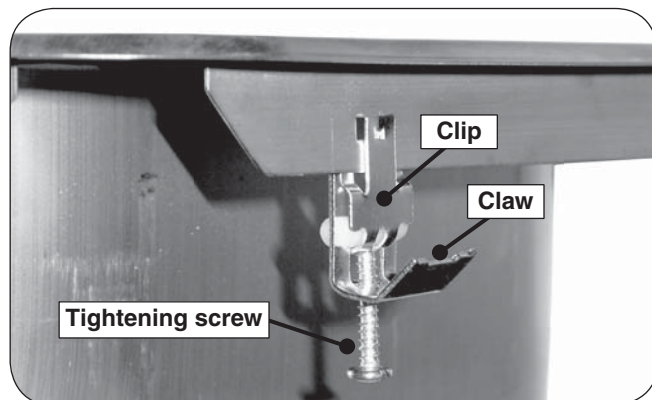
**Important:** Use rubber rings to seal drain compression fittings.

**All plastic fittings must be hand tightened only! DO NOT use wrenches on plastic fittings.**

2. Plumb out the system as appropriate for the installation.



**Fig. 3-1** Connect anchor clips to sink (below countertop)



**Fig. 3-2** Anchor detail



**Fig. 3-3** Drain assembly example

### DRAIN MAINTENANCE

The sink drain assembly is equipped with a removable trap for larger food particles. This prevents larger food particles from entering and blocking the drain plumbing. Regularly check the drain trap and clean out any foreign matter it contains to help keep the drain functioning at its best. To remove the drain trap simply unscrew it from the bottom of the drain assembly (see Fig. 4-1).

### CLEANING THE SINK

This sink has a stainless steel finish. Use a standard non-abrasive kitchen cleaner for basic cleaning or a quality stainless-steel cleaner if heavy cleaning is required.

Clean the sink at least once a month, following the instructions on the cleaner. Always rub stainless steel in the direction of the grain (see Fig. 4-2).



**Fig. 4-1** Drain trap cleaning



**Fig. 4-2** Always wipe with the grain