



Installation Instructions for IN-GROUND PEDESTAL.

This IN GROUND PEDESTAL assembly MUST be securely installed in all instances.

The installation MUST comply with all local codes and the Gas line / Connections should be carried out by an experienced Gas Installer.

Read these instructions fully and identify the parts before proceeding further.

COMMON INSTALLATION INSTRUCTIONS.

- a. Place the "Pedestal Support Tube" (D) into a prepared hole at least 18" deep x 14" square with the two 1 ¼" dia holes above ground and facing to the rear of the final BBQ orientation.
- b. Pour cement into the hole ensuring that the "Pedestal Support Tube" (D) is vertical. Allow the cement to harden before proceeding to the next step.
- c. Feed the Gas supply tube through the 1 ¼" bottom hole in the "Pedestal Support Tube" and out of the top 1 ¼" hole.
- d. Place the "Top Support Plate" (C) onto the "Pedestal Support Tube" (D) ensuring that the center hole in the "Top Support Plate" is aligned with the top hole in the "Pedestal Support Tube". Note that the angle brackets in the "Top Support Plate" are facing downwards.
- e. Slide the 3 - 6" x 5/16" (F) fixing bolts, through the holes located in the "Top Support Plate" put a flat washer, split washer and nut on each bolt and tighten fully.
See photo # 1
- f. Place the right hand "Side Panel" (A) onto the "Top Support Plate" and bolt into position using the bolts provided. Repeat the procedure for the left hand "Side Panel".
See photo # 2
- g. Carefully Position the BBQ onto the two side panels, and then fix the BBQ flange to the side panels with the 4 screws provided. See photo # 3 & 4
- h. Attach the Regulator to the manifold supply line coming from the BBQ. Be sure to use Pipe thread compound or Teflon tape on the threads. Carefully tighten with a wrench, being sure not to over tighten.
- i. Make sure that the regulator is set for the proper gas type as shown on Pg. 16 of the Care and Use Manual.
- j. Fit the "rear panel" (B) to the two side panels after making the necessary gas connections. Please refer to your Care and Use Manual for Gas Connection instructions.

Solairé

INFRARED GRILLING SYSTEMS

- k. Attach the two “Side Shelves” (G) to the “Side Panels” using the Screws provided. Tighten the upper screws with the shelf in the folded down position and the lower screws with the shelf in the up position. Photo # 5 & 6
- l. Attach the Tool holders to the front of each side shelf with the screws provided.

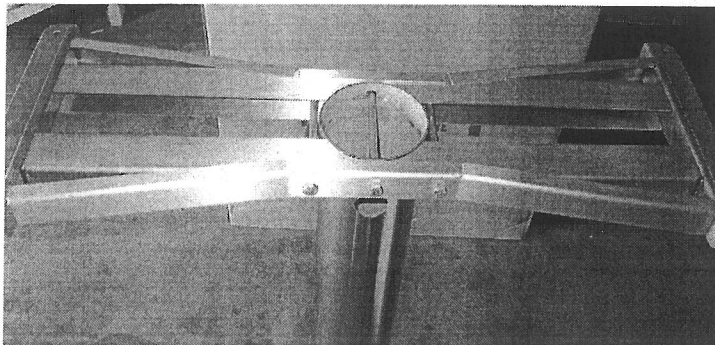


Photo # 1

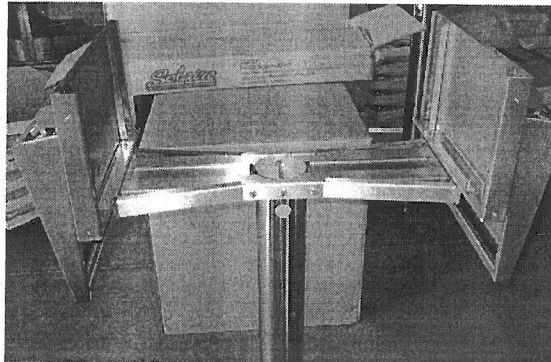


Photo # 2

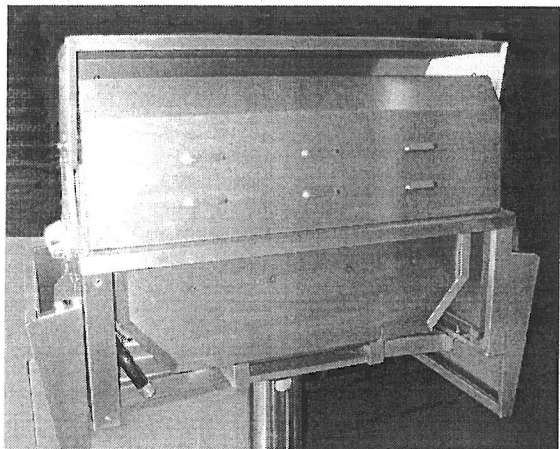


Photo # 3

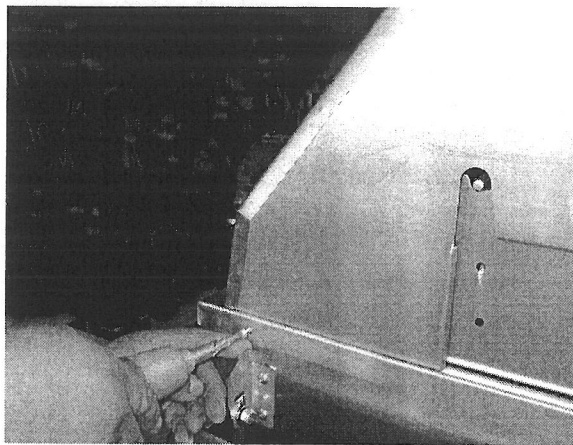


Photo # 4

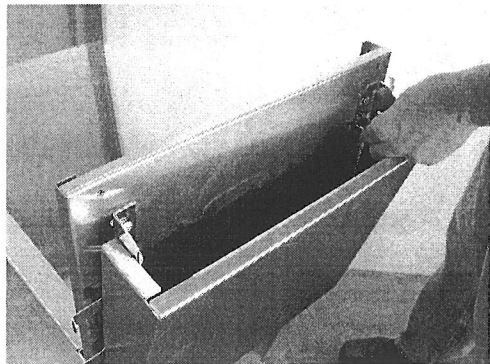


Photo # 5

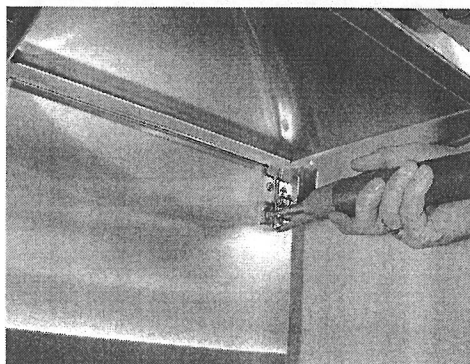


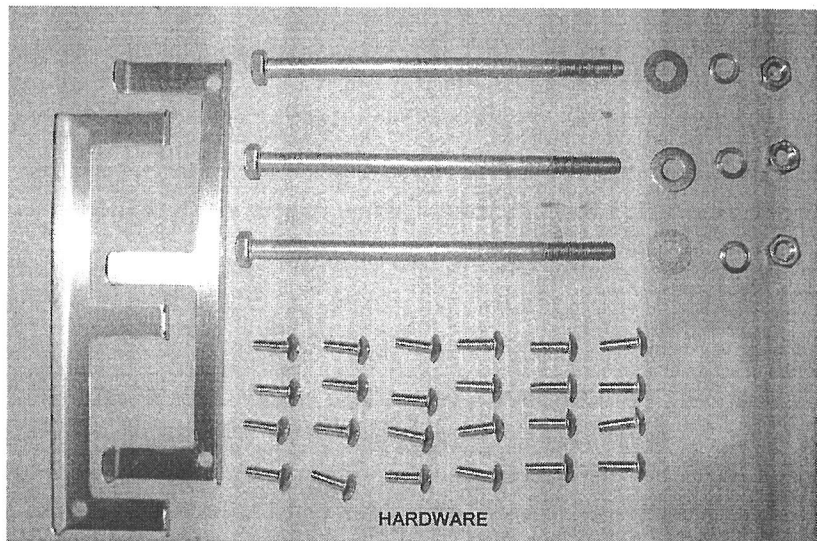
Photo # 6



PARTS LIST FOR IN-GROUND PEDESTAL.

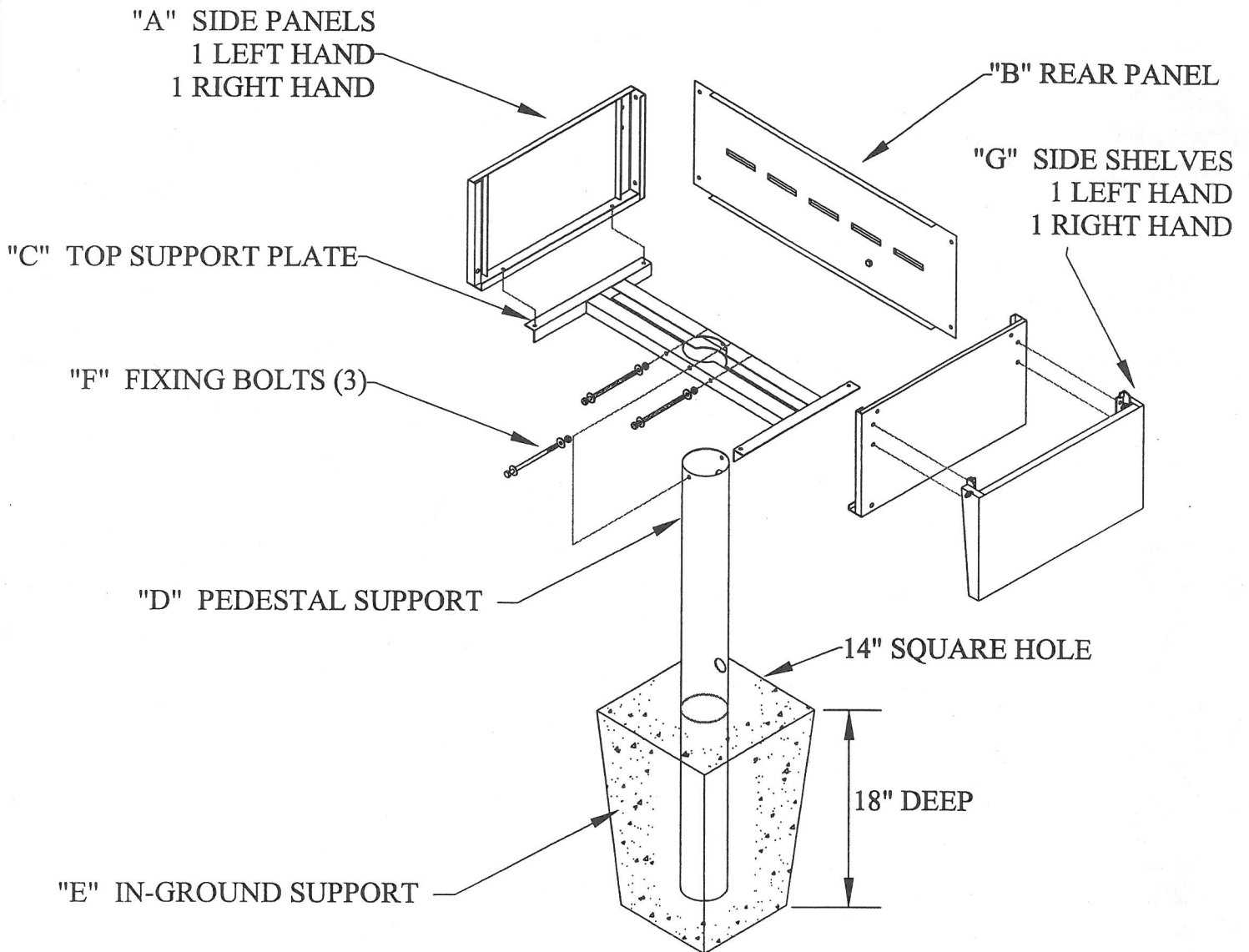
PARTS LIST

ITEM	DESCRIPTION	QTY
A	RIGHT & LEFT HAND SIDE PANEL	2
B	REAR ACCESS PANEL	1
C	TOP SUPPORT PLATE	1
D	PEDESTAL SUPPORT	1
F	FIXING BOLTS, WASHERS & NUTS	3
G	RIGHT & LEFT HAND SIDE SHELVES	2
I	SIDE SHELF FIXING SCREWS	8
J	BBQ TOP FLANGE FIXING SCREWS	4
K	TOOL HOLDERS	2
L	TOOL HOLDER FIXING SCREWS	4
M	REAR PANEL FIXING SCREWS	4
N	SIDE PANEL FIXING SCREWS	4
O	1/2" FLEXIBLE GAS SUPPLY HOSE & FITTINGS	1



Solair

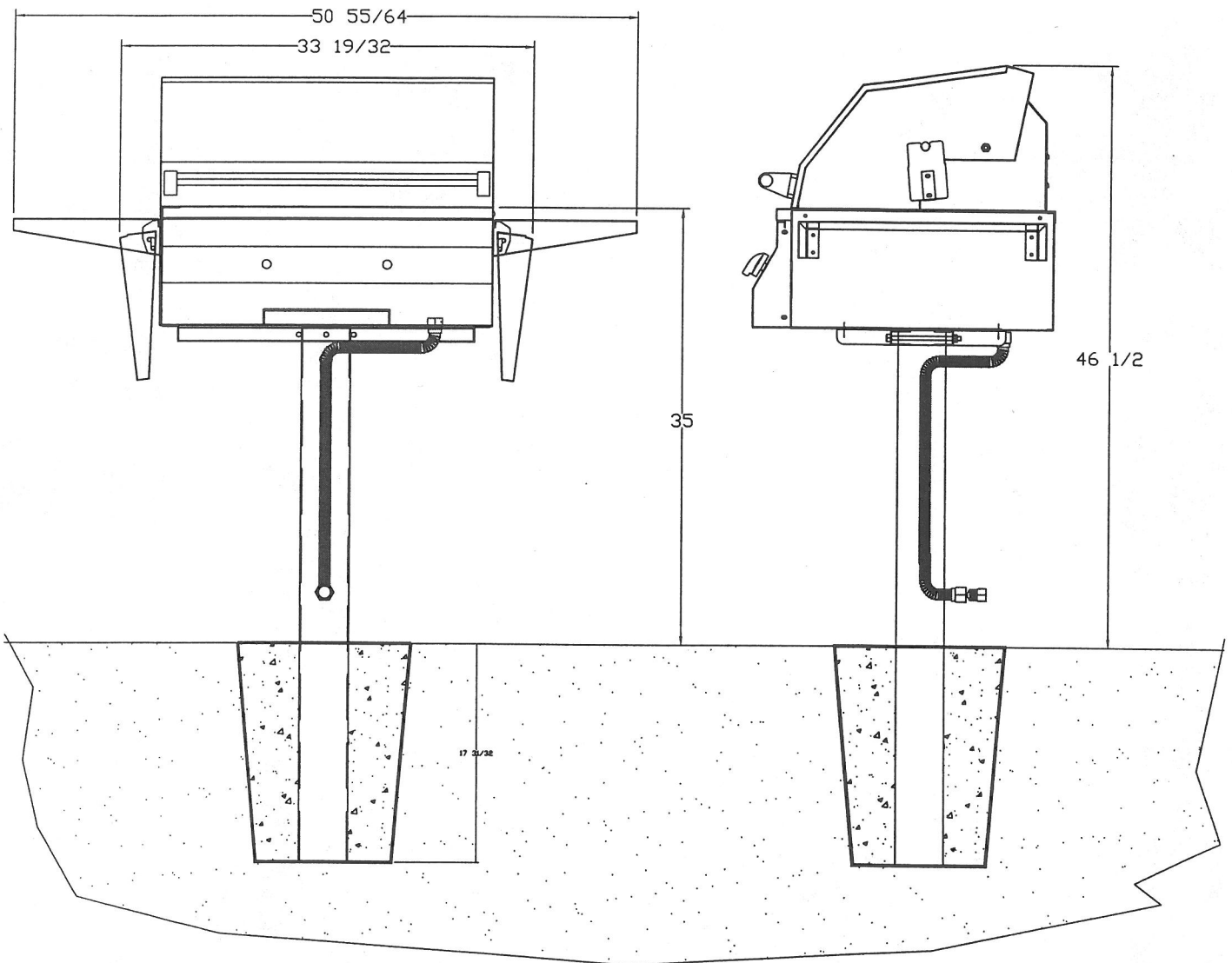
INFRARED GRILLING SYSTEMS



IN-GROUND SUPPORT SYSTEM

Solair

INFRARED GRILLING SYSTEMS



IN-GROUND SUPPORT SYSTEM