

## ECLIPSE SMART-HEAT™ ELECTRIC

Dim the lights and turn up the heat with our Eclipse Smart-Heat™ Electric heater. Available in six unique mounting options, the new Bromic Eclipse Smart-Heat™ series adds style, warmth and light to design-focused outdoor spaces.



ECLIPSE  
SMART-HEAT™ ELECTRIC

# SPECIFICATIONS

Reference the specification guide below to help you select the correct solution for your needs.

| MODEL                    |   |
|--------------------------|---|
| PRODUCT CODE             | BH0920001-1                                   |
| FUEL TYPE                | ELECTRIC (2900W)                              |
| COLOR                    | MATTE BLACK                                   |
| MATERIAL (HEATER HEAD)   | PREMIUM COATED 304 STAINLESS STEEL            |
| MATERIAL (MOUNTING ARMS) | PREMIUM, DOUBLE COATED STEEL                  |
| HEAT AREA                | 121FT <sup>2</sup>                            |
| LED COLOR                | WARM WHITE - DIMMABLE                         |
| LED TEMPERATURE          | 3000K   |
| LED LUMENS               | 216.6   |
| RATED CURRENT & VOLTAGE  | 11.4 A (220V) / 11.8 A (230V) / 12.1 A (240V) |
| MINIMUM FLOOR CLEARANCE  | CEILING 96"   WALL 96"                        |

| MOUNTING OPTIONS                     |                      |
|--------------------------------------|----------------------|
| WALL MOUNT                           | BH3230006 (OPTIONAL) |
| 8" STRAIGHT CEILING MOUNT POLE       | BH3230001 (OPTIONAL) |
| 24" STRAIGHT CEILING MOUNT POLE      | BH3230002 (OPTIONAL) |
| 24" TWIN STRAIGHT CEILING MOUNT POLE | INCLUDED             |
| 24" CURVED CEILING MOUNT POLE        | BH3230004 (OPTIONAL) |
| 48" STRAIGHT CEILING MOUNT POLE      | BH3230005 (OPTIONAL) |

| CONTROL OPTIONS        |                           |
|------------------------|---------------------------|
| DIMMER CONTROL         | BH3230007-1 (RECOMMENDED) |
| MASTER REMOTE ECLIPSE* | BH3623002-1 (OPTIONAL)    |

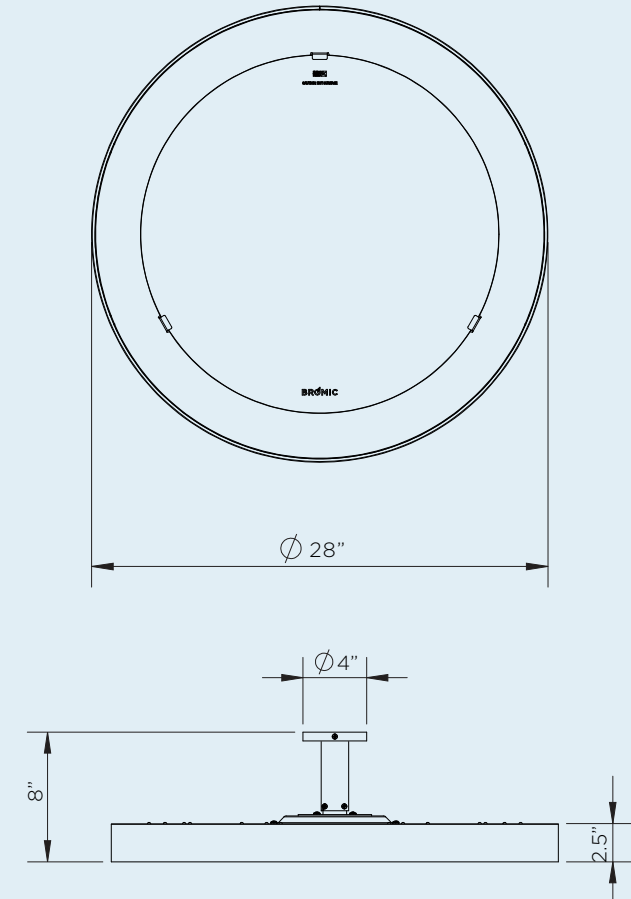
Measurements displayed within this catalog are minimum requirements for installation. Bromic takes no responsibility for incorrect or non-compliant installations. All measurements in this catalog are displayed in inches.

\*Control up to six zones of heaters with unlimited heaters per zone from a single remote. Dimmer control required.

# DIMENSIONS

With a wide range of sizes available, find the ideal heater to suit your outdoor space.

## PRODUCT MEASUREMENTS

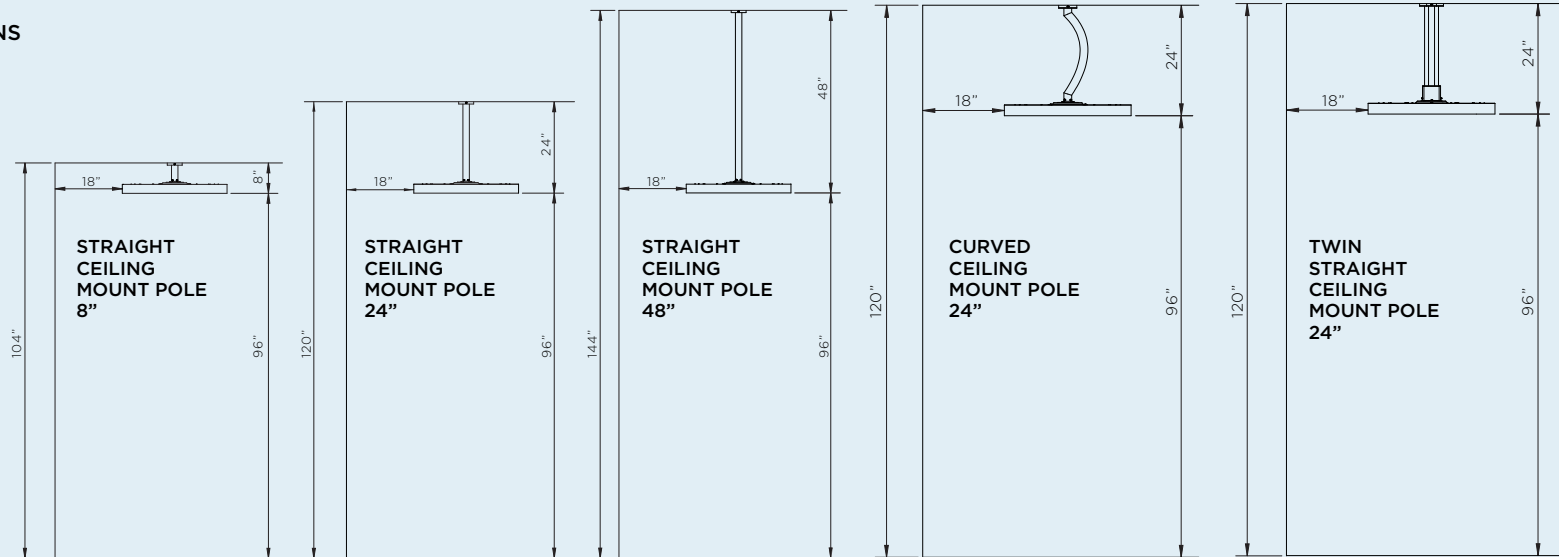


# CLEARANCE

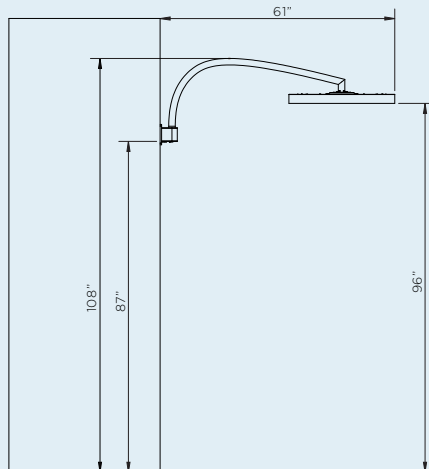
With a wide array of mounting options, Bromic offers solutions to compliment any décor and provide functionality for ambiance and comfort.

## MOUNTING OPTIONS

### CEILING MOUNTING OPTIONS



### WALL MOUNTING

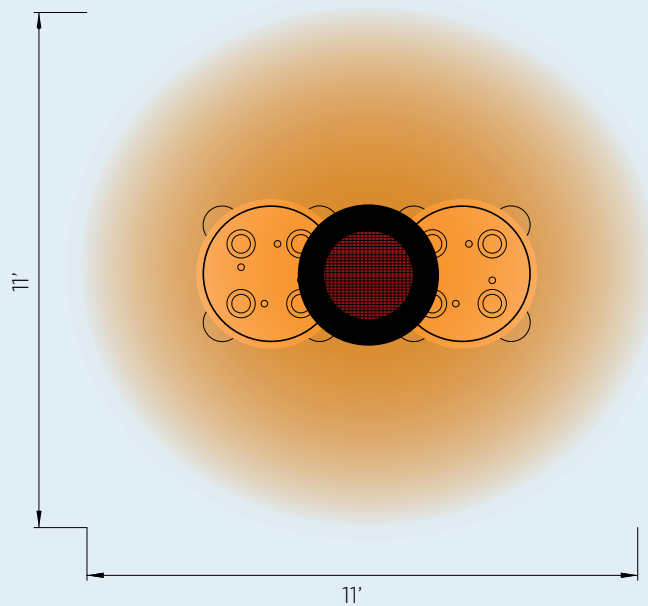


# HEATING REACH

Creating ideal comfort levels, Bromic heaters offer a variety of heat distribution options to suit your outdoor heating needs.

## 2900W SERIES

HEATING APPROXIMATELY 121FT<sup>2</sup>  
2900W HEATING POWER



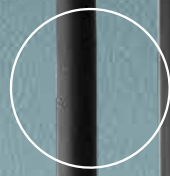
\*HEAT AREA DEPENDENT ON AMBIENT TEMPERATURE AND WIND. OPTIMUM CONDITIONS EXPERIENCED AT APPROX 60°F AND IN A LOW WIND COVERED ENVIRONMENT.



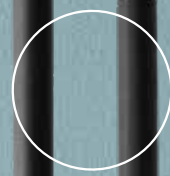


EXTEND YOUR COMFORT OUTDOORS  
WITH THE SUPERIOR HEAT AND  
AWARD-WINNING DESIGN OF OUR  
SMART-HEAT™ OUTDOOR HEATERS.

---



**FLEXIBLE MOUNTING OPTIONS**  
 Minimal vertical clearance requirements and a wide range of wall, ceiling, and free-standing options to suit any space.



**PREMIUM CONSTRUCTION**  
 Superior components, ensuring longevity of use and aesthetic appeal for years to come.

**UNIQUE DESIGN**  
 Elegantly understated design that complements any design-focused outdoor environment.



**CERAMIC SCREEN**  
 Spreads heat evenly across any area while minimizing light emission from the heating element.



**PRECISE CONTROL**  
 Accurately adjust the heat output (0/33/66/100%) for complete control over the level of comfort.



**DIMMABLE LIGHT**  
 Complete flexibility over level of brightness for the right amount of ambience.



**COMPATIBLE WITH  
 SMART-WIRELESS  
 TECHNOLOGY**

**BROMIC.COM**

ASIA PACIFIC | NORTH AMERICA | EUROPE

Bromic pursues a policy of continuing improvement in design and performance of its products. The right is therefore reserved to vary specifications without notice.  
 02.2022