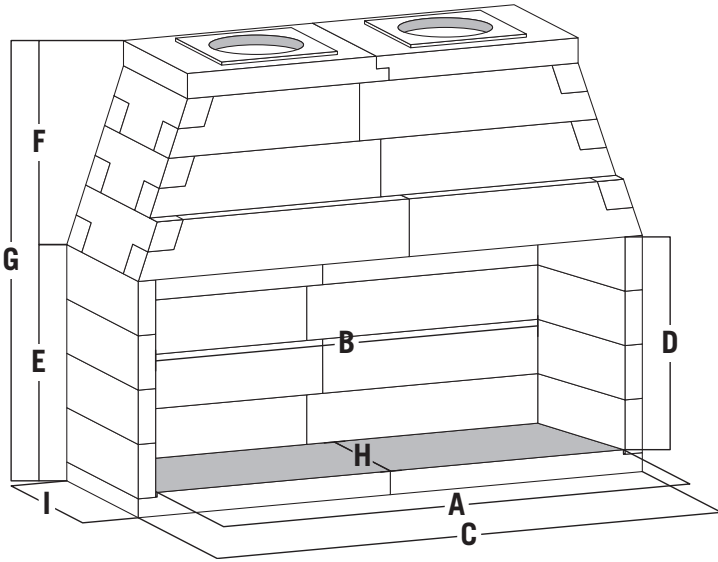


72" OVERSIZED CONVENTIONAL

UL 127 & ANSI Z21.60 COMPLIANT

PRODUCT DIMENSIONS



WIDTH	A	OPENING	74.5"
	B	FIREBOX REAR	64"
	C	OVERALL	80"
HEIGHT	D	OPENING	33.75"
	E	FIREBOX	37.5"
	F	SMOKE CHAMBER	31.5625"
DEPTH	H	FIREBOX	22.5"
	I	OVERALL	28.5"
DAMPER		SIZE	2 TOP SEAL
WEIGHT	UNIT: 3,200 LBS INSTALL KIT: 1,600 LBS		

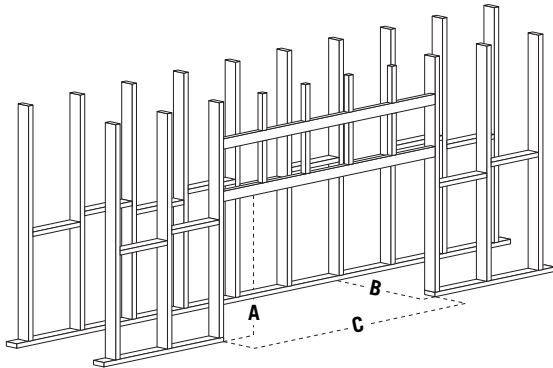
All measurements listed are based on dry stack units before firebrick is installed.

Dimensions are nominal and are given for design and framing reference only.

Please consult the manufacturer's installation manual for all details and requirements before making a final design layout decisions.

RECOMMENDED FRAMING DIMENSIONS

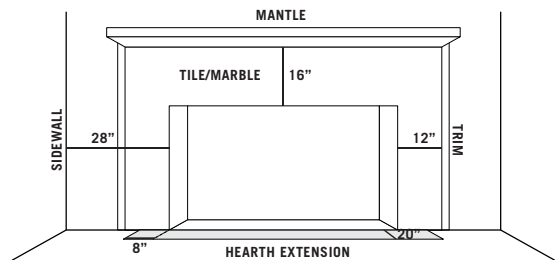
Dimensions add 0.5" of air space to the required clearances



A*	B	C
47.6875"	30"	83"

* It is recommended to not install framing header until after firebox is installed.

CLEARANCE TO COMBUSTIBLES



- OPENING TO SIDEWALL: 28"
- OPENING TO COMBUSTIBLE TRIM: 12"
- OPENING TO MANTLE WITH 8" DEPTH: 16"
- NONCOMBUSTIBLE HEARTH EXTENSION: 20" front; 8 each side *
- FIREBOX & SMOKE CHAMBER TO COMBUSTIBLES OR FRAMING: 1"
- SMOKE CHAMBER (FRONT WALL & TOP) TO WOOD FRAMING: 1"

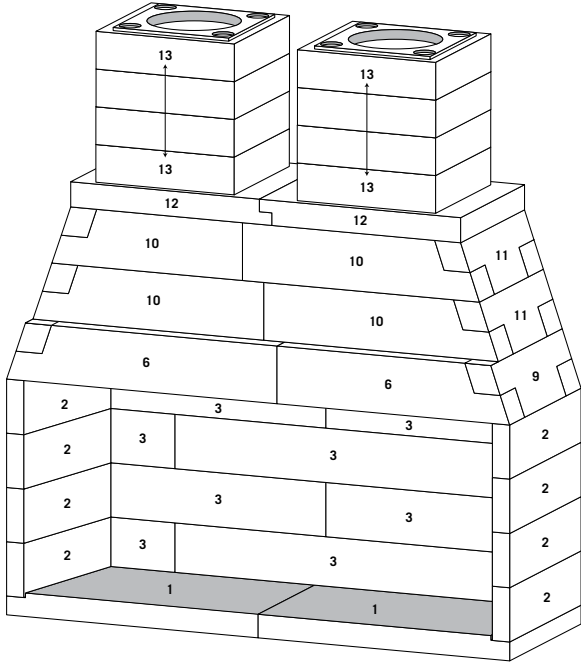
*This model requires extra floor protection. See installation manual for details

AVAILABLE ACCESSORIES

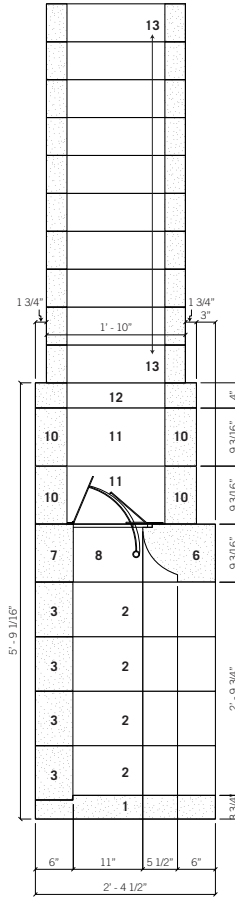
- FireRock Adhesive Mortar (MANDATORY)
- Solid Block Chimney
- Offset Block
- Brick Flange
- Firebrick
- Crown Cap
- Height Extension Kit
- Outside Air Kit
- Installation Kit
- Damper
- Log Lighter
- UL 103 Metal Chimney (14")



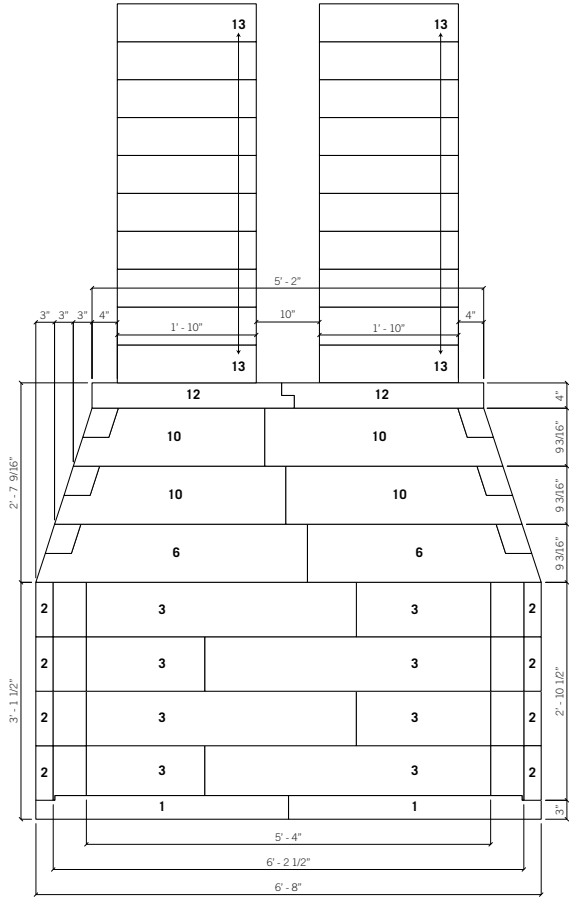
FRO072 - FIREROCK 72" OVERSIZED CONVENTIONAL
APPROVED FOR INDOOR & OUTDOOR USE



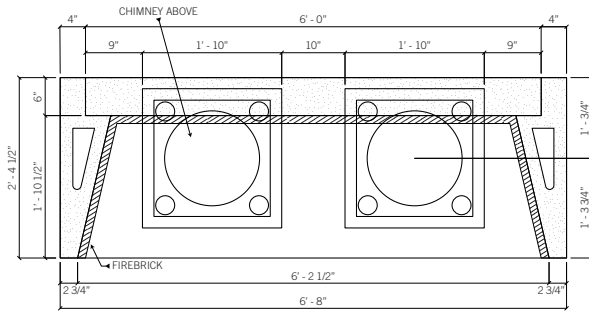
ISOMETRIC



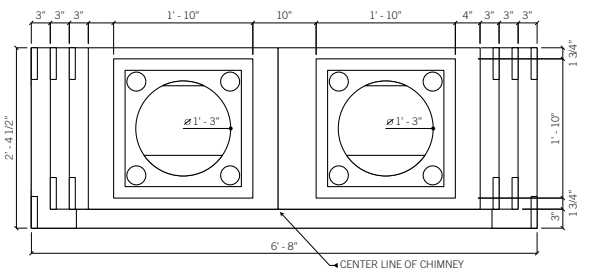
SECTION A-A



FRONT ELEVATION



FIREBOX PLAN



CHIMNEY PLAN

#	COMPONENT NAME
1	BASE PLATE
2	FIREBOX SIDE
3	STRAIGHT BACK BLOCK
6	RADIUS THROAT FRONT
7	SQUARE THROAT BACK
8	THROAT SIDE - LEFT
9	THROAT SIDE - RIGHT

#	COMPONENT NAME
10	SMOKE CHAMBER FRONT AND BACK
11	UNIVERSAL SMOKE CHAMBER SIDES
12	CHIMNEY BASE
13	CHIMNEY BLOCK

*NOTE: All pieces subject to a 1/8" tolerance