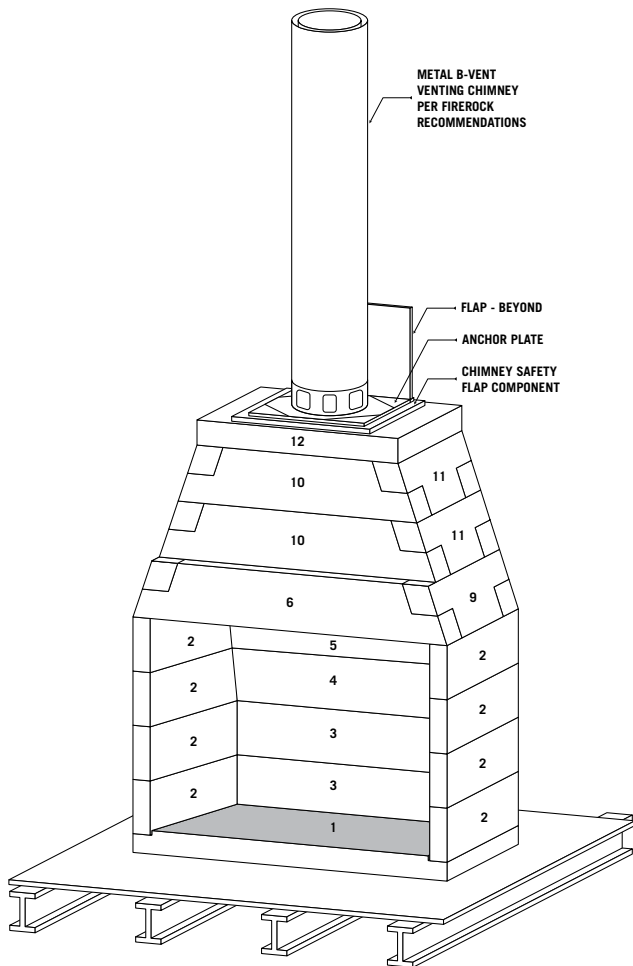


B VENT INSTALLATION KIT

ANSI Z21.50 COMPLIANT

PRODUCT INFORMATION

Our B Vent fireplace is a higher BTU, vented, gas only model. The B Vent model offers an automated safety shut off valve - ensuring your fire does not burn too long or too hot. B Vent fireplaces must be installed through the home and terminate above the roofline. The B Vent model uses room air for combustion, and all combustion fumes are vented outside the home. This model is a gas only fireplace option that requires a 10" metal chimney pipe (purchased separately). The B Vent fireplace also requires an accessory kit (see below), which FireRock stocks, along with a gas log set specifically sized for the firebox. This masonry fireplace model can be installed directly onto a combustible subfloor.



ISOMETRIC

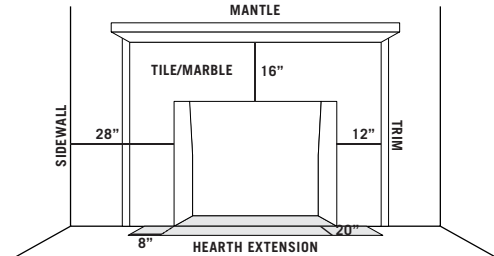
COMPATIBILITY

NOTE: THIS FIREBOX TYPE REQUIRES SPECIFIC GAS LOG APPLIANCE(S) AND SAFETY SHUT-OFF SWITCH

- 30" Conventional / California Conventional - 44,000 BTU
- 36" Conventional / California Conventional - 68,000 BTU
- 42" Conventional / California Conventional - 68,000 BTU
- 48" Conventional / California Conventional - 78,000 BTU

See firebox pages for exact dimensions

CLEARANCE TO COMBUSTIBLES



- **OPENING TO SIDEWALL:** 28"
- **OPENING TO COMBUSTIBLE TRIM:** 12"
- **OPENING TO MANTLE WITH 8" DEPTH:** 16"
- **NONCOMBUSTIBLE HEARTH EXTENSION:** 20" front; 8" each side
- **FIREBOX & SMOKE CHAMBER TO COMBUSTIBLES OR FRAMING:** 1"
- **SMOKE CHAMBER (FRONT WALL & TOP) TO WOOD FRAMING:** 1"

AVAILABLE ACCESSORIES

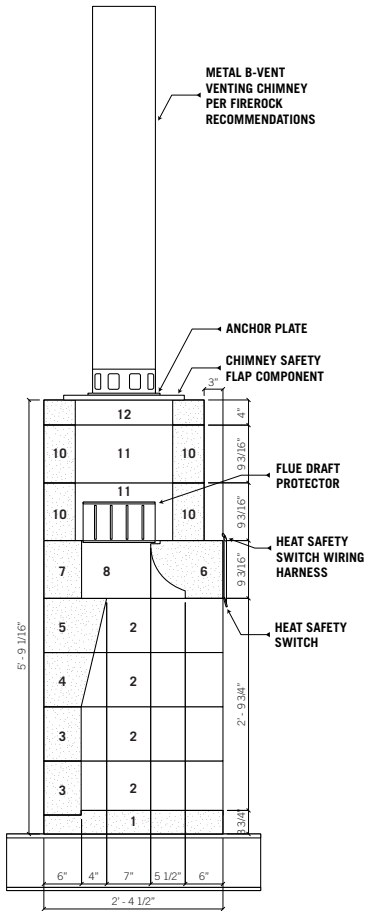
- FireRock Adhesive Mortar (MANDATORY)
- Firebrick
- Height Extension Kit
- Outside Air Kit
- Installation Kit

B VENT ACCESSORY KIT

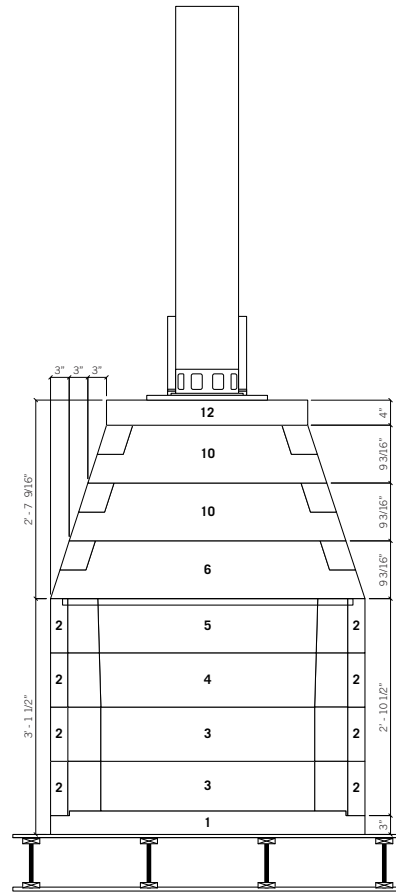
- Chimney Flap Safety Device
- Draft Diverter
- Draft Hood Connector from Simpson Duravent
- High-Temp Wiring Harness
- Masonry, 10" Chimney Base
- Safety Shut-Off Switch Device
- Properly Sized Gas Log Appliance



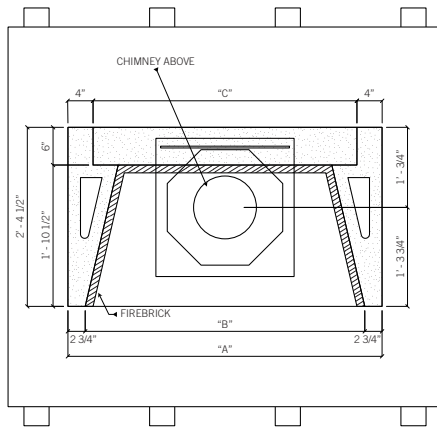
FR14XX - FIREROCK B VENT INSTALLATION KIT
APPROVED FOR INDOOR USE



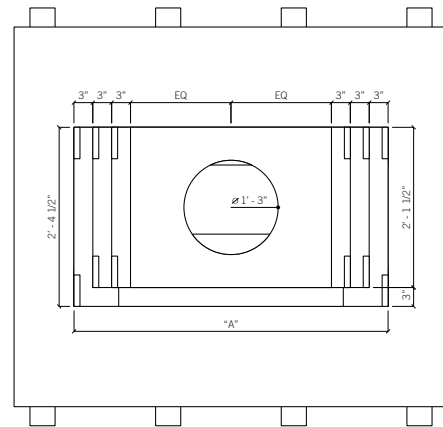
SECTION A-A



FRONT ELEVATION



FIREBOX PLAN



CHIMNEY PLAN

FIREPLACE SIZE	DIM A	DIM B	DIM C
30"	38"	32.5"	30"
36"	44"	38.5"	36"
42"	50"	44.5"	42"
48"	56"	50.5"	48"

* 42" model shown to scale on this page

All measurements listed are based on dry stack units before firebrick is installed.

Dimensions are nominal and are given for design and framing reference only.

Please consult the manufacturer's installation manual for all details and requirements before making a final design layout decisions.

#	COMPONENT NAME
1	BASE PLATE
2	FIREBOX SIDE
3	STRAIGHT BACK BLOCK
4	ANGLED BACK BLOCK - COURSE 3
5	ANGLED BACK BLOCK - COURSE 4
6	RADIUS THROAT FRONT
7	SQUARE THROAT BACK

#	COMPONENT NAME
8	THROAT SIDE - LEFT
9	THROAT SIDE - RIGHT
10	SMOKE CHAMBER FRONT AND BACK
11	UNIVERSAL SMOKE CHAMBER SIDES
12	CHIMNEY BASE

*NOTE: All pieces subject to a 1/8" tolerance