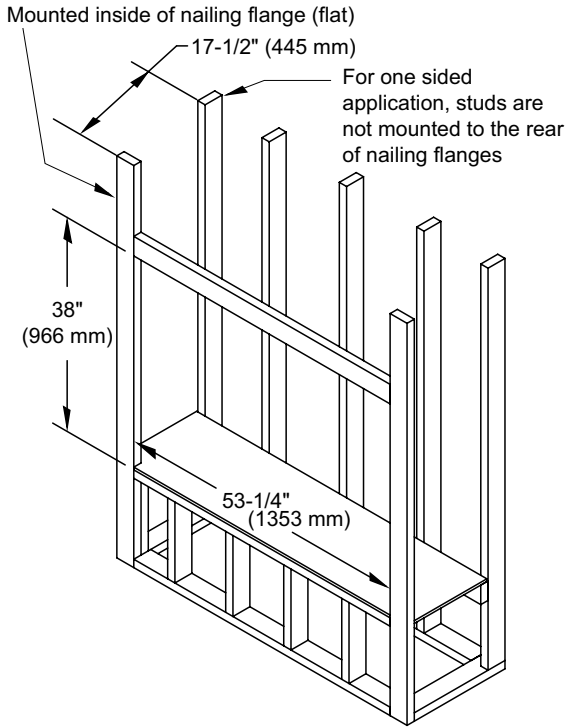


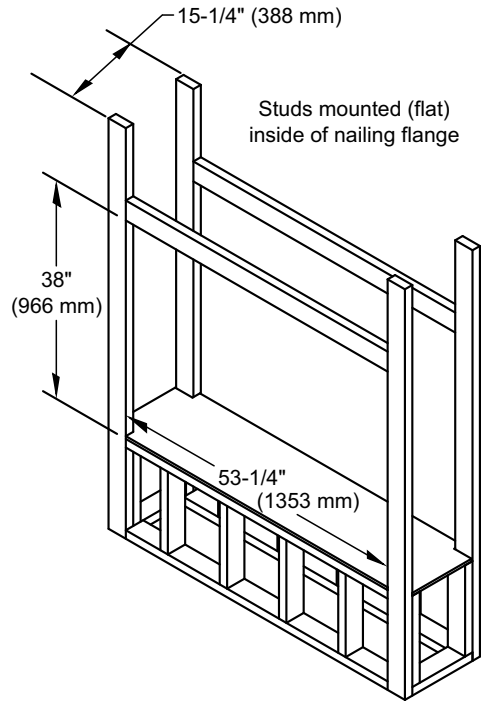
VRE4543

43" LUMINARY LINEAR OUTDOOR VENT-FREE FIREPLACES

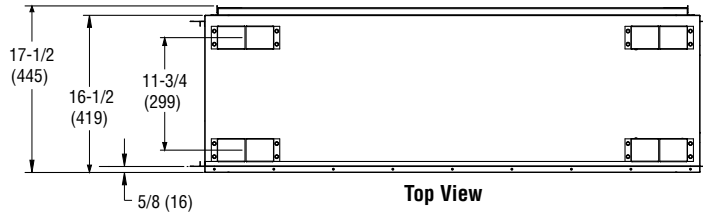
Framing Dimensions



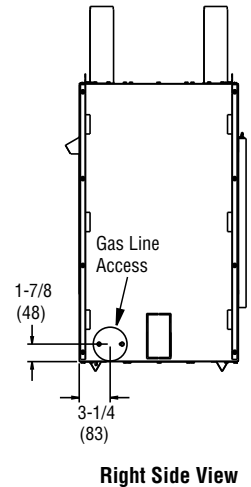
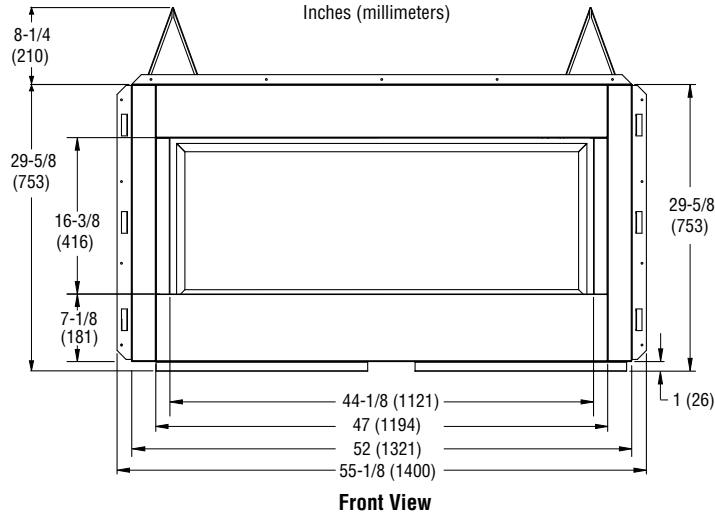
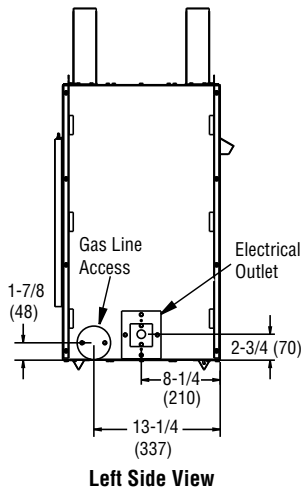
Framing Dimensions for One Sided Application



Framing Dimensions for See-Thru Application



Fireplace Dimensions



Diagrams, illustrations and photographs are not to scale. Consult installation instructions. Product designs, materials, dimensions, specifications, colors, and prices are subject to change or discontinuance without notice.

NOTE: DIAGRAMS & ILLUSTRATIONS ARE NOT TO SCALE.

VRE4543

Product Info

Cat. No.	Model	Weight	Cu. Ft.
F0497	VRE4543EN	267 lb.	22.1
F0498	VRE4543EP	267 lb.	22.1

Listing



These fireplaces comply with National Safety Standards and are tested and listed by PFS TECO to ANSI Z21.97 standard for outdoor decorative gas appliances and CAN 1-2.21-M85 standard for gas-fired appliances for outdoor installation.

Minimum clearances to combustibles for the fireplace are as follows:

*Back and Sides	1"	26 mm
Perpendicular Walls	8"	203 mm
Floor (from bottom of fireplace)	0"	0 mm
Ceiling (from top of opening)	42"	1067 mm
Top of Standoffs	0"	0 mm

*For back and sides of fireplace, do not pack with insulation or other materials.

Hearth Extension

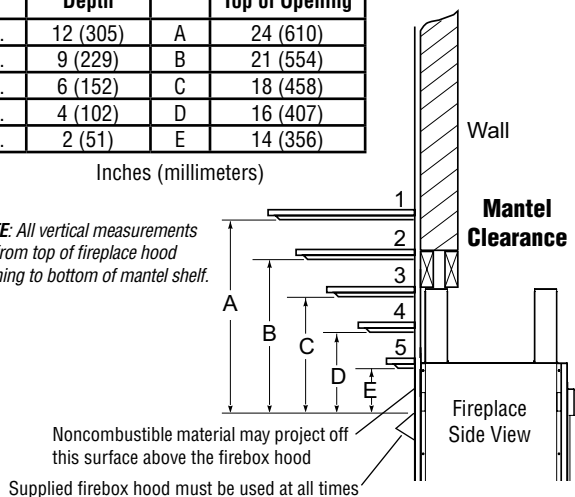
A hearth extension is not required with this fireplace. Any hearth extension used is for appearance only and does not have to conform to standard hearth extension installation requirements.

Clearances

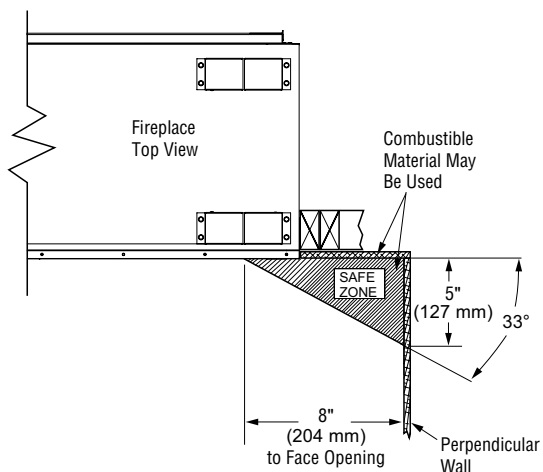
Ref.	Mantel Depth	Ref.	Mantel from Top of Opening
1.	12 (305)	A	24 (610)
2.	9 (229)	B	21 (554)
3.	6 (152)	C	18 (458)
4.	4 (102)	D	16 (407)
5.	2 (51)	E	14 (356)

Inches (millimeters)

NOTE: All vertical measurements are from top of fireplace hood opening to bottom of mantel shelf.



Side Wall Clearance



Specifications and clearances are subject to change without notice. Refer to Installation Manual before installation of these appliances for updated dimensions and instructions.

NOTE: DIAGRAMS & ILLUSTRATIONS ARE NOT TO SCALE.

Printed in U.S.A. © 2016 Innovative Hearth Products
P/N 900699-01 REV. E 03/2022

