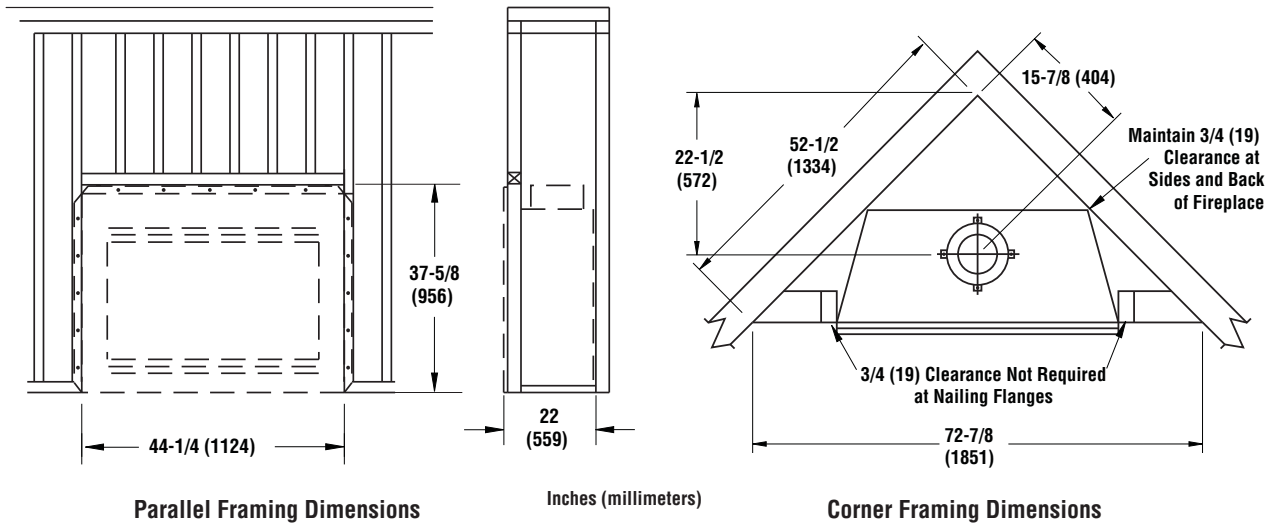


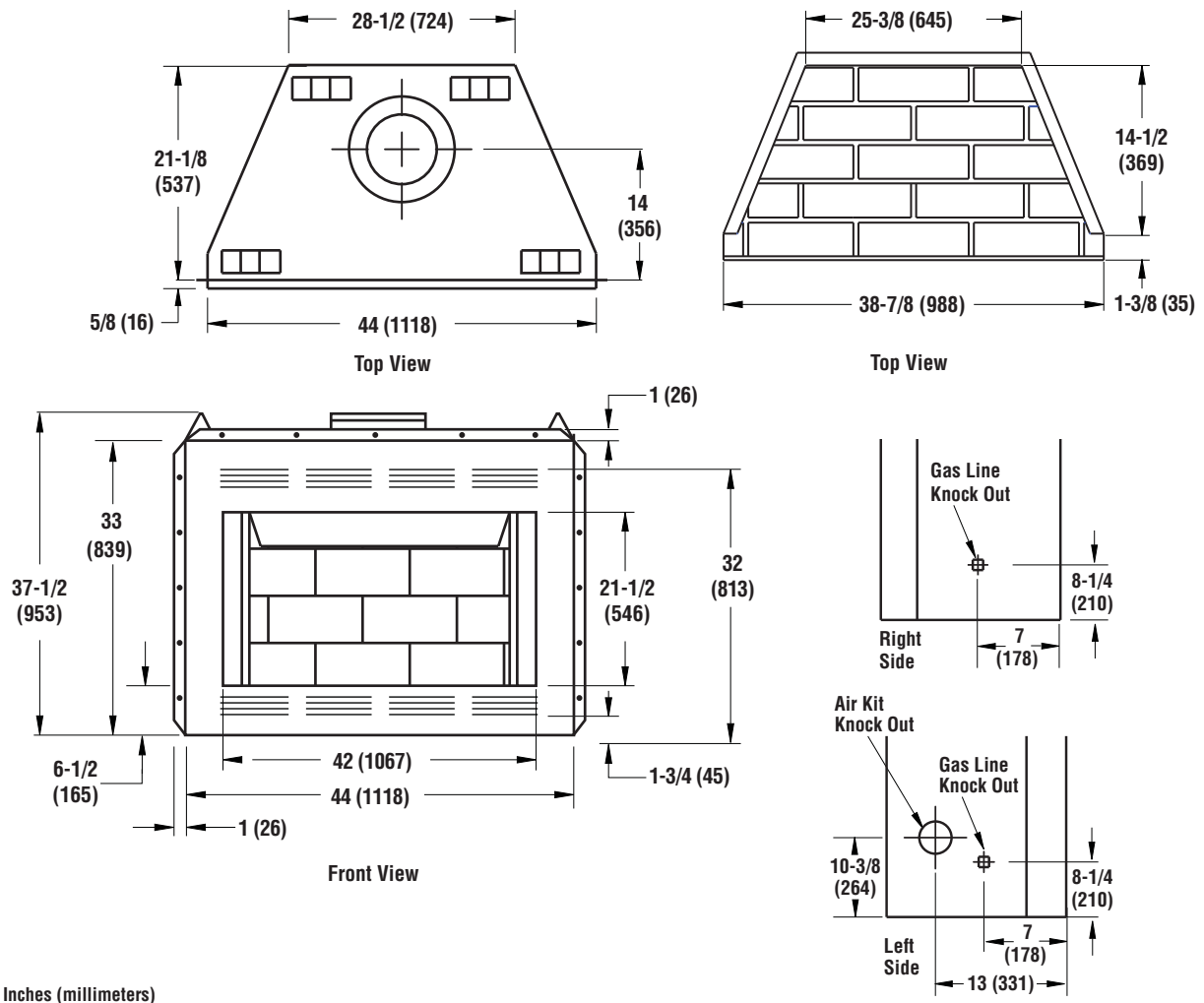
# WRT2042 AND WCT2042 SERIES

## WOOD-BURNING FIREPLACES

Framing Dimensions



Fireplace Dimensions



NOTE: DIAGRAMS & ILLUSTRATIONS ARE NOT TO SCALE.

# WRT2042 AND WCT2042 SERIES

Product Information

Product Reference Information				
Cat. No.	Model	Desc.	Shipping Weight	Shipping Volume
F0687	WRT2042WS	Radiant	180 lb.	22.0 cu. ft.
F0688	WRT2042WSI	Radiant	180 lb.	22.0 cu. ft.
F0689	WCT2042WS	Louvered	180 lb.	22.0 cu. ft.
F0690	WCT2042WSI	Louvered	180 lb.	22.0 cu. ft.

Listing Information



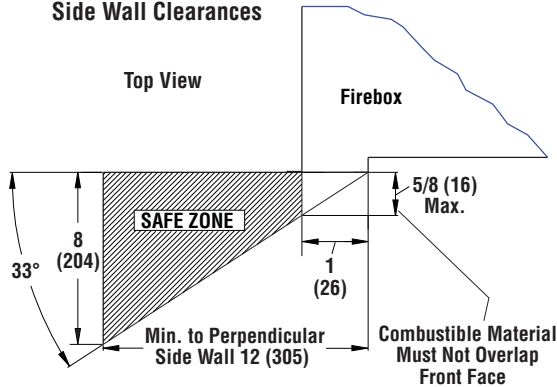
This fireplace has been tested and approved by PFS Corporation under UL127/ULC-S610 standard as a Factory Built Appliance and may be used with gas logs approved to ANSI Z21.60, Z21.84 or Z21.11.2 standards.

Clearances

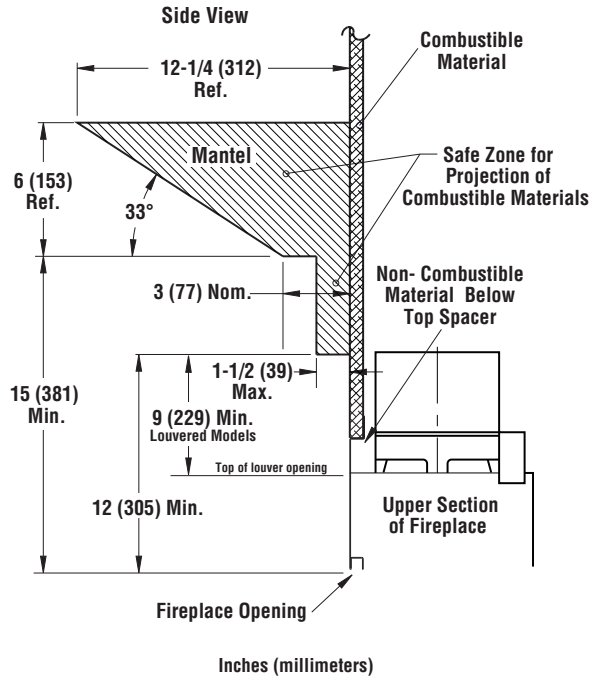
Clearances to Combustibles	
Description	Min. Clearance
Back and sides of fireplace	3/4 (19)*
Floor	0 (0)**
Perpendicular wall to opening	12 (305)
Top spacers	0 (0)
Chimney outer pipe surface	1 (26)

\* Not required at nailing flanges  
 \*\* See step 2 of Framing in the Installation and Operation Manual

### Side Wall Clearances

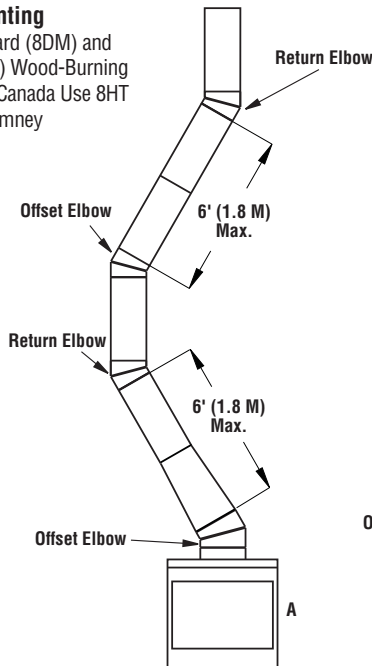


### Mantel Clearances



Venting

**Venting**  
 Uses Standard (8DM) and Hi-Temp (8HT) Wood-Burning Chimney. For Canada Use 8HT Chimney



### Typical Offset Installation

