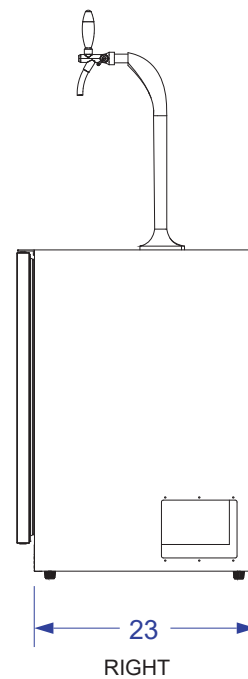
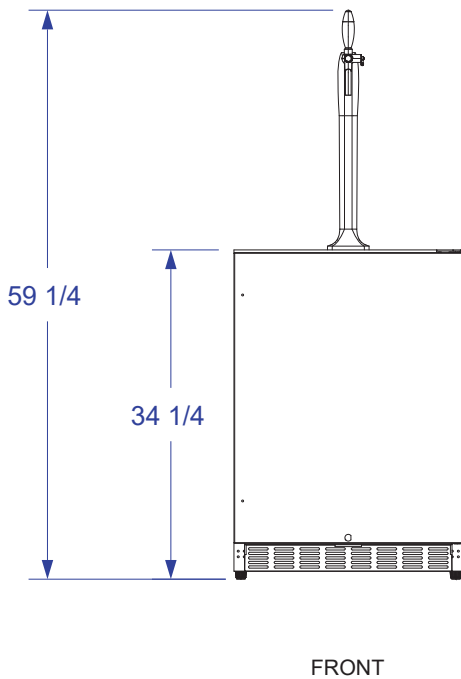
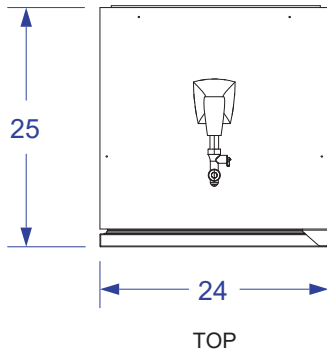
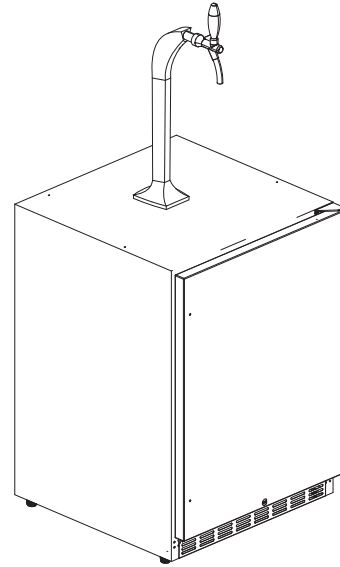




KEGERATOR SPEC SHEET



NOTES:

1. SCALE: 1 : 20

2. CUTOUT DIMENSIONS FOR KEGERATOR: 34 3/4" H x 24 1/2"W x 25 1/2"D

3. CUTOUT DIMENSIONS FOR TAP: 1 1/2" DIA. HOLE, 15" FROM FRONT PANEL.