

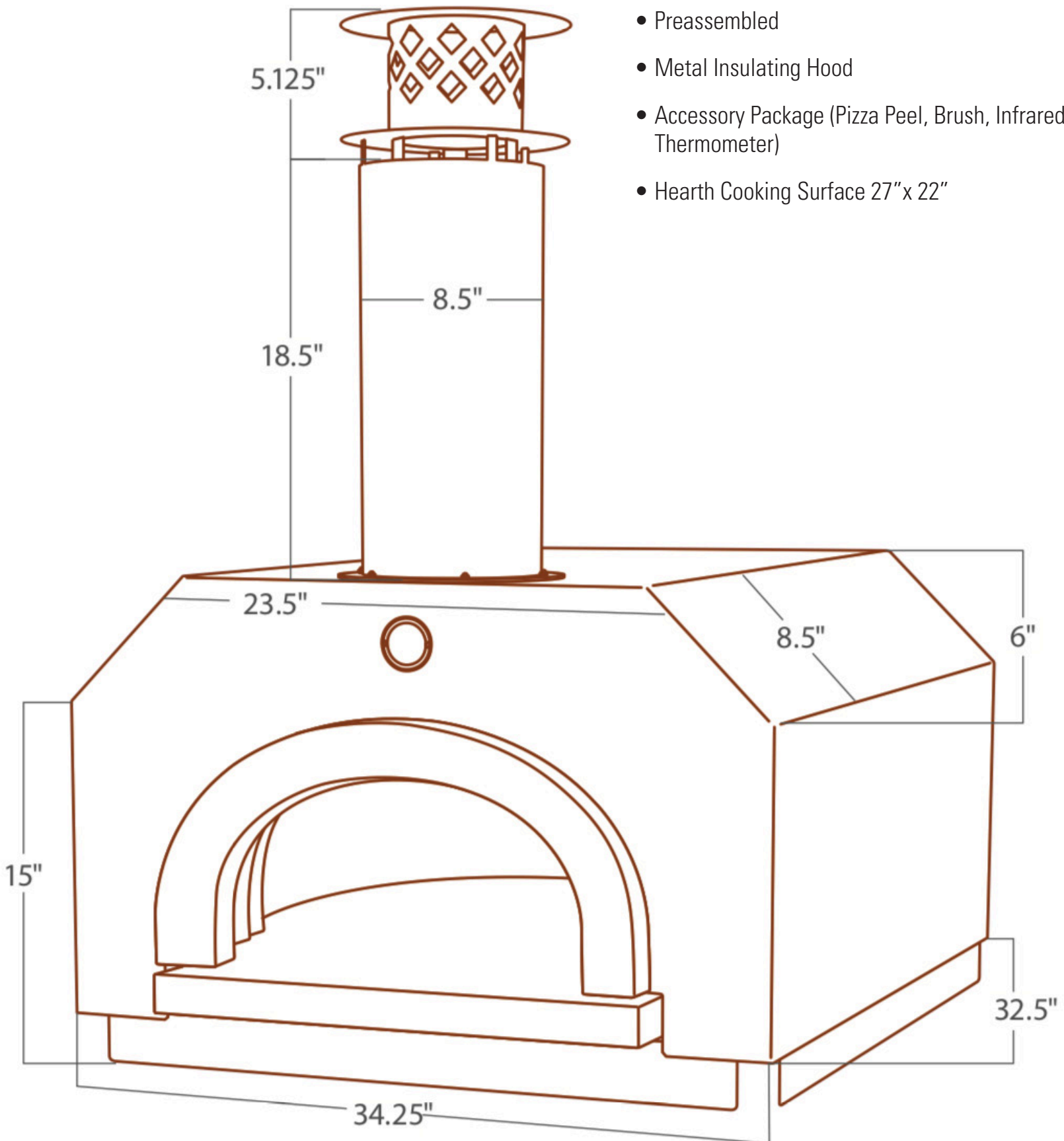
# CBO-500 Countertop Specifications



Base SKU CBO-O-CT-500

## Details

- Preassembled
- Metal Insulating Hood
- Accessory Package (Pizza Peel, Brush, Infrared Thermometer)
- Hearth Cooking Surface 27" x 22"



Minimum Support Weight: 450 lbs.  
Flue Pipe Dimensions: 27.25" H x 22.25" W



**CHICAGO BRICK OVEN**