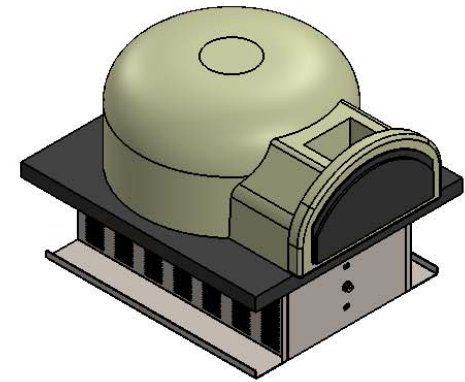
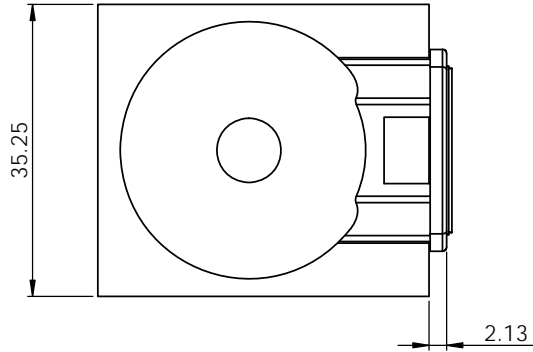


4

3

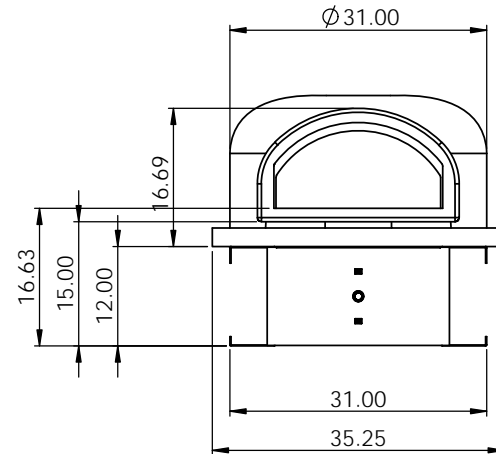
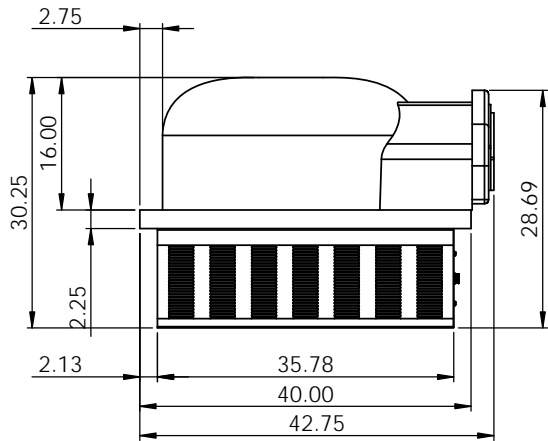
2

1



B

B



1" THICK INSULATION WRAP NOT SHOWN

A

A

**PROPRIETARY AND CONFIDENTIAL**  
 THE INFORMATION CONTAINED IN THIS DRAWING IS THE SOLE PROPERTY OF CHICAGO BRICK OVEN. ANY REPRODUCTION IN PART OR AS A WHOLE WITHOUT THE WRITTEN PERMISSION OF CHICAGO BRICK OVEN IS PROHIBITED.

		UNLESS OTHERWISE SPECIFIED:	NAME	DATE		
		DIMENSIONS ARE IN INCHES	DRAWN	RWL	9/22/16	TITLE: <b>CBO-750 HYBRID BUNDLE</b>
		TOLERANCES:	CHECKED			
		FRACTIONAL: ±	ENG APPR.			
		ANGULAR: MACH ± BEND ±	MFG APPR.			
		TWO PLACE DECIMAL ±	Q.A.			SIZE
		THREE PLACE DECIMAL ±	COMMENTS:			DWG. NO.
		INTERPRET GEOMETRIC TOLERANCING PER:				REV
		MATERIAL				
NEXT ASSY	USED ON	FINISH				
APPLICATION		DO NOT SCALE DRAWING				SCALE: 1:15 WEIGHT:
						SHEET 1 OF 1

4

3

2

1