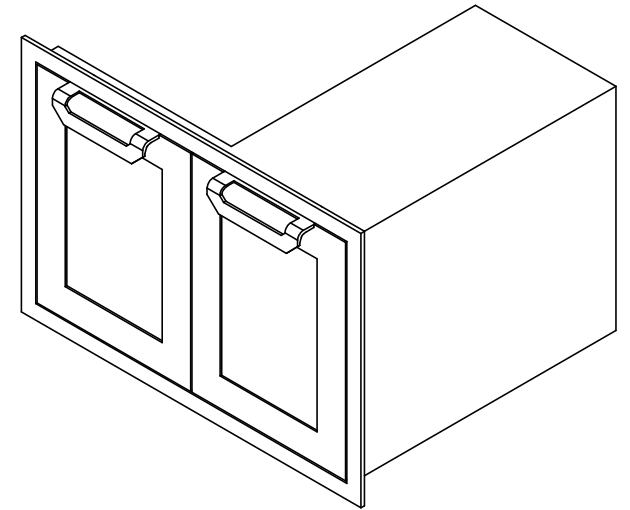
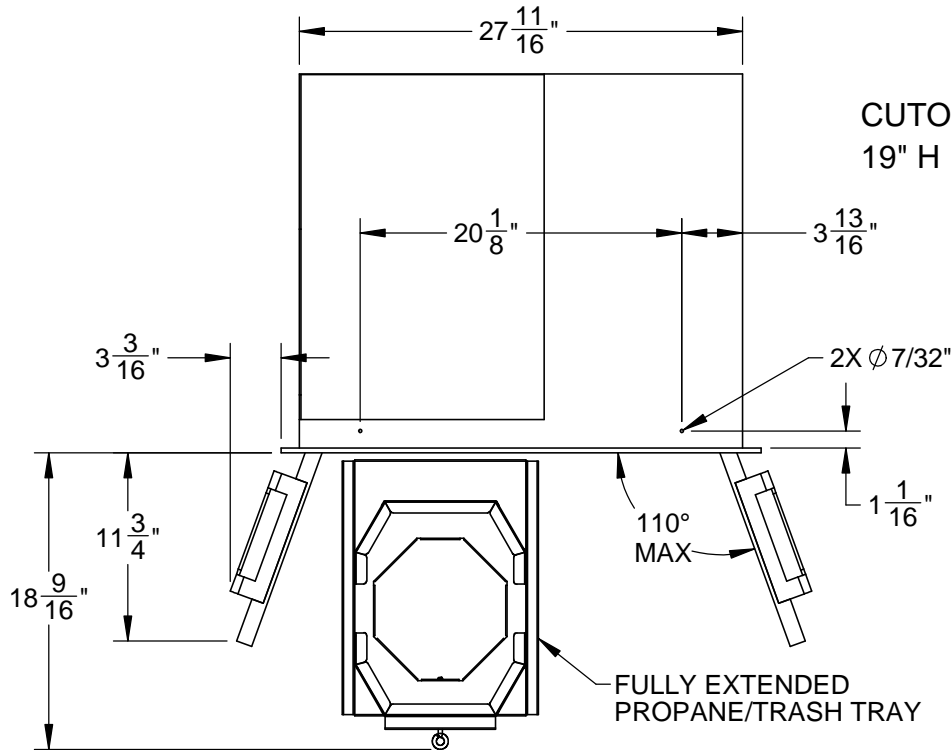


# AGSD30: DOUBLE STORAGE DOORS, MARQUISE, 30"



CUTOUT DIMENSIONS:  
 19" H -  $27 \frac{7}{8}$ " W -  $23 \frac{3}{8}$ " D

