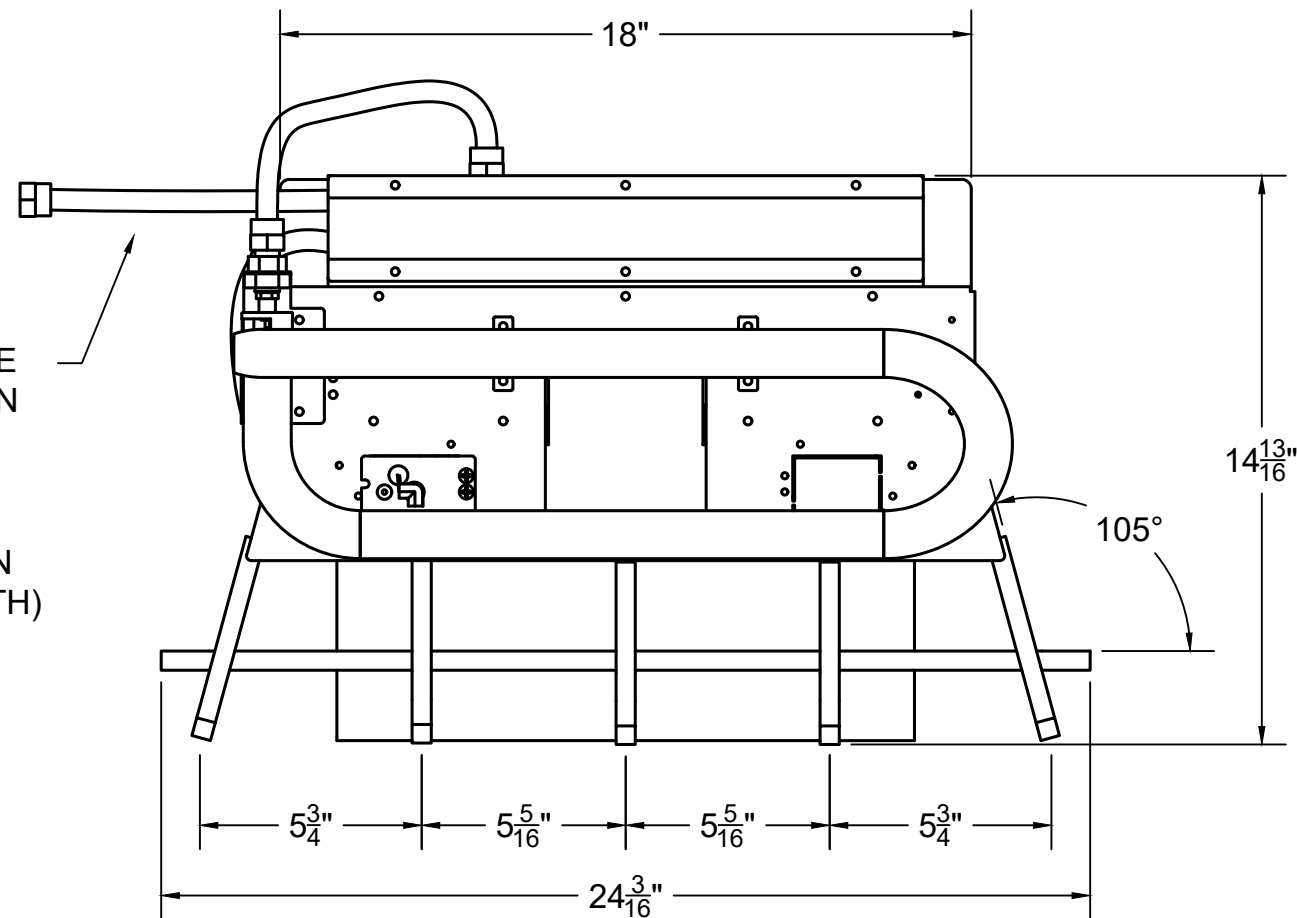
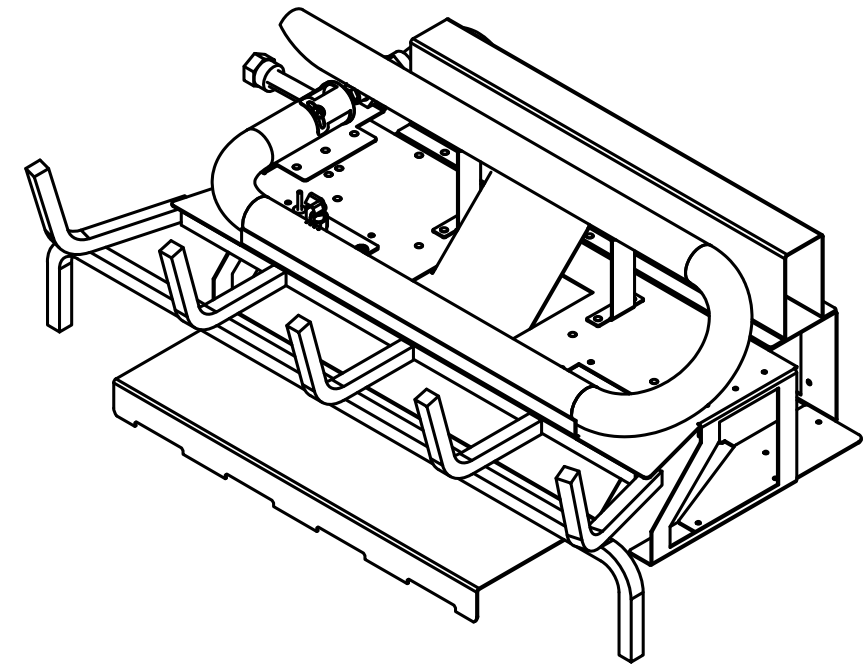


3/8 FLEX LINE CONNECTION TO 3/8 GAS SUPPLY.

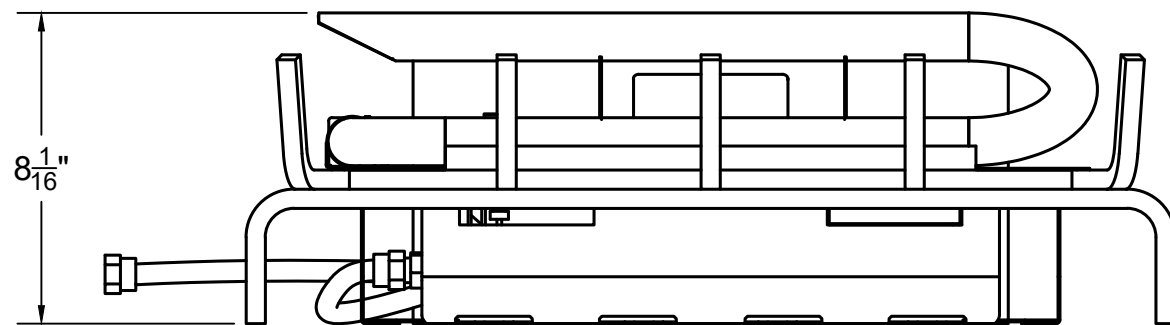
(NOT SHOWN TRUE LENGTH)



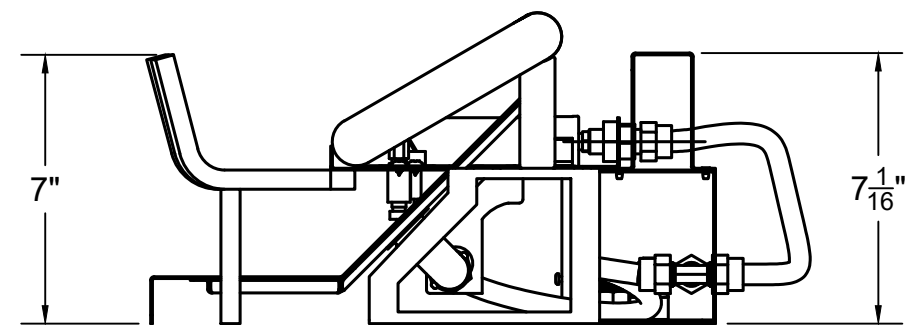
TOP VIEW



ISOMETRIC VIEW
SCALE: N.T.S



FRONT VIEW

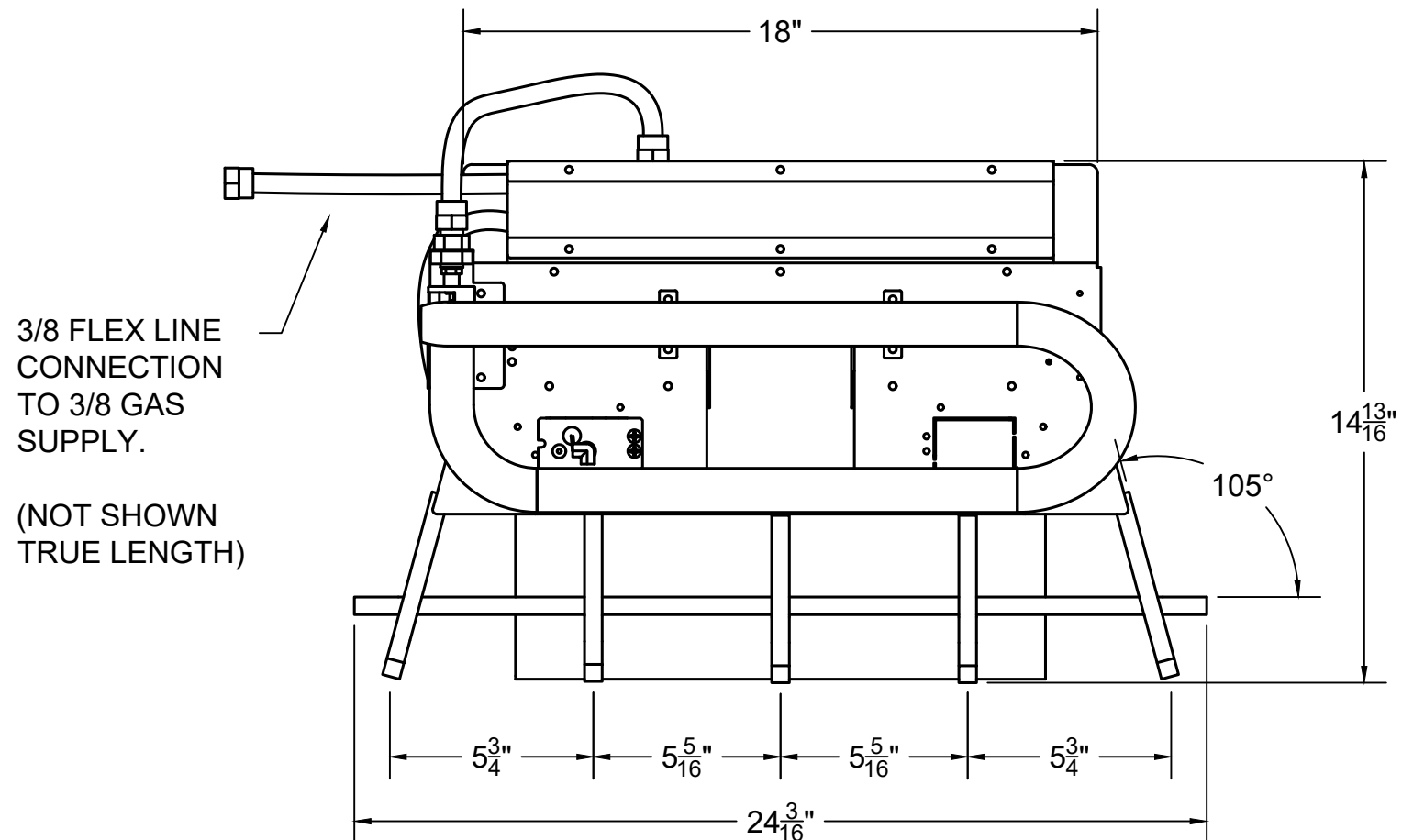


RIGHT SIDE VIEW

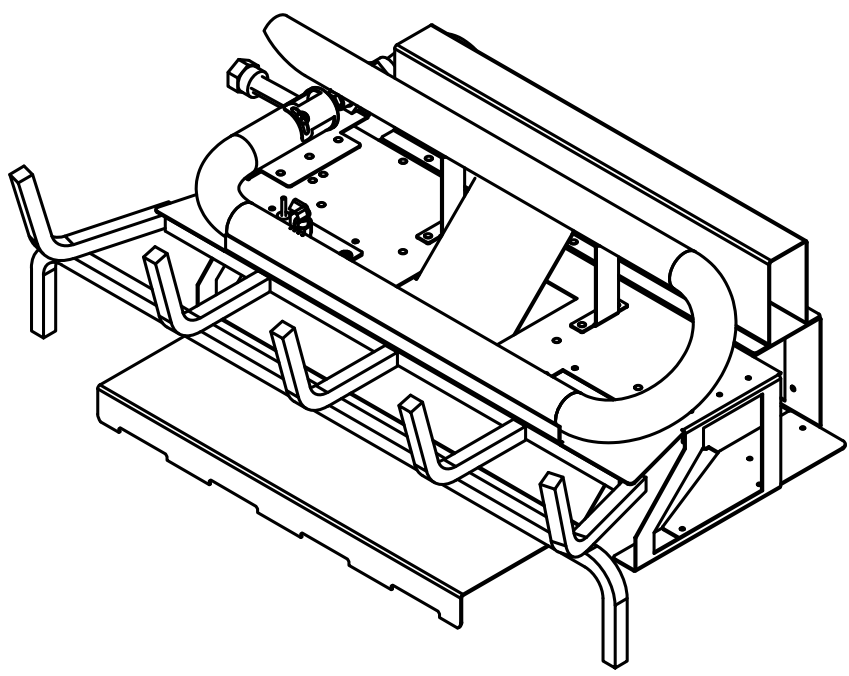
GENERAL NOTES:

1. THE ISOFLAMES STADIUM BURNERS ARE TESTED/ LISTED TO Z21.60 (PFS REPORT NO. F21-725).
2. THE ISF24SB-SP BURNER IS DESIGNED ONLY FOR USAGE WITH PROPANE AND MUST ONLY BE INSTALLED WITH THE E-VKP GAS VALVE SYSTEM. THIS VALVE SYSTEM COMES IN A 12" x 12" x 4" NEMA 1 ENCLOSURE AND MUST BE INSTALLED WITHIN 7' OF FIREPLACE. VALVE SYSTEM REQUIRES 120 VAC.
3. GAS TYPE IS AS INDICATED ON RATING PLATE. DO NOT USE NATURAL GAS BURNER WITH PROPANE, OR A PROPANE BURNER WITH NATURAL GAS. APPLIANCE IS NOT FIELD CONVERTIBLE FOR USE WITH OTHER GASES.
4. DRAWINGS ARE FOR DESIGN PURPOSES ONLY AND ARE THE SOLE PROPERTY OF EARTHCORE INDUSTRIES. ANY REPRODUCTION OR UNAUTHORIZED USE IS STRICTLY PROHIBITED. EARTHCORE/ ISOKERN OR ANY DIVISION THEREOF SHALL NOT BE HELD LIABLE FOR ANY INCIDENTAL OR CONSEQUENTIAL DAMAGES OR EXPENSES ARISING OUT OF THE USE OF THEIR BURNERS, FIREPLACES OR CHIMNEY SYSTEMS.

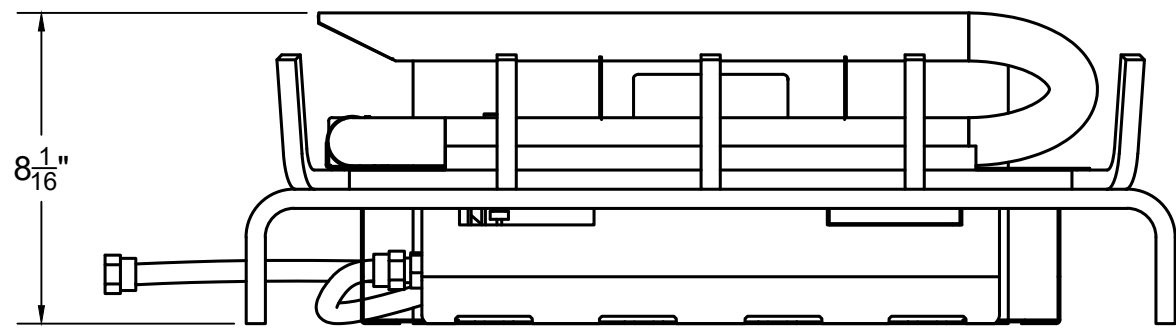
ISOFLAMES STADIUM BURNER (LP): LISTED ANSI Z21.60											
PART NUMBER	BTU		PRESSURE: W.C.			MIN FIREPLACE DIMS (in)					
	MAX	MIN	INLET MAX	INLET MIN	MANIFOLD	DEPTH	HEIGHT	REAR WIDTH	FRONT WIDTH	CHIMNEY OPENING SQ IN	
ISF24SB-SP	56K	44K	14	11	10 - 6.4	18	20	25	34	36	
 6899 Phillips Industrial Blvd. Jacksonville, FL 32256		UNLESS OTHERWISE STATED, ALL DIMENSIONS ARE IN INCHES			PROJECT: ISOFLAMES 24" STADIUM BURNER (LP)						
		UNSPECIFIED TOLERANCES		THIRD ANGLE PROJECTION		DESCRIPTION: OVERALL DIMENSIONS/ SPECIFICATION					
		ANG.	.X ±			MATERIAL: VARIES					
		LIN.	.X ±			DRAWN: K.B.H		DATE: 5/1/2025	SIZE: A	SCALE: 1:10	DRAWING #: ISF24SB-SP-SPEC
	.XX ±	APPROVED:				DATE:	DO NOT SCALE	SHEET # 1 OF 1			
	.XXX ±										



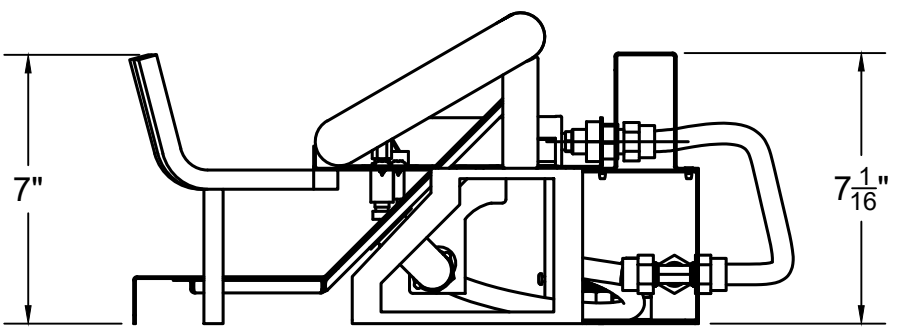
TOP VIEW



ISOMETRIC VIEW
SCALE: N.T.S



FRONT VIEW

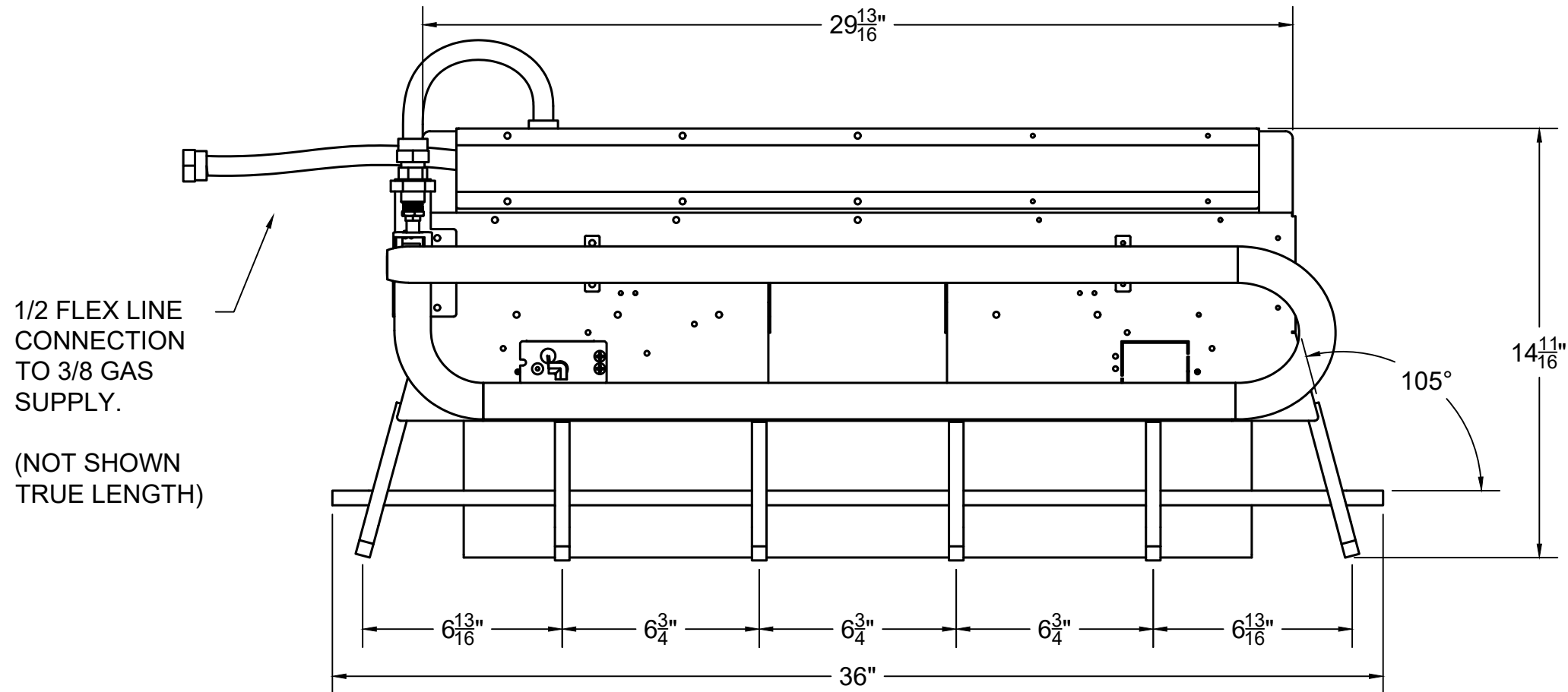


RIGHT SIDE VIEW

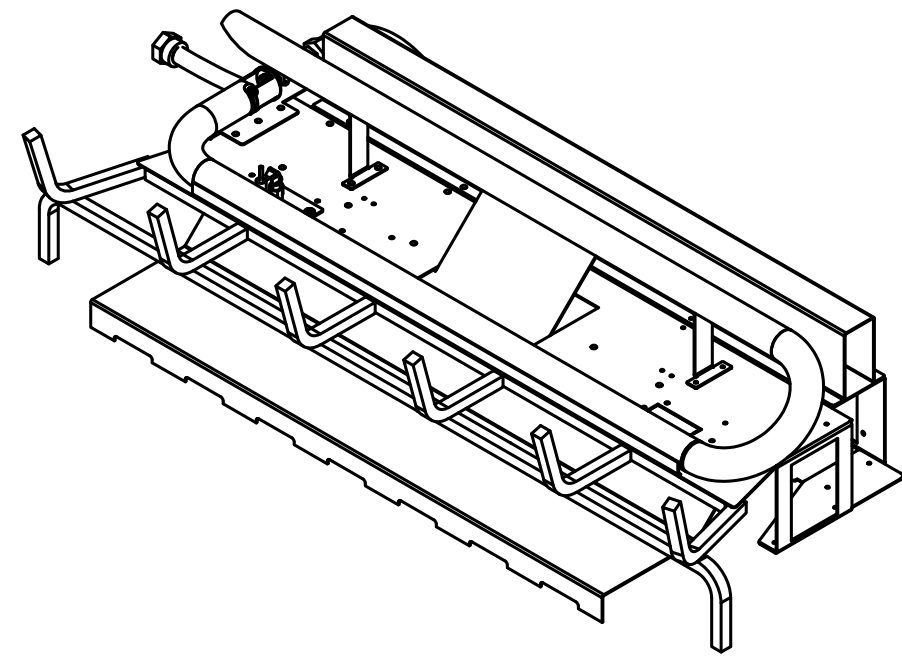
GENERAL NOTES:

1. THE ISOFLAMES STADIUM BURNERS ARE TESTED/ LISTED TO Z21.60 (PFS REPORT NO. F21-725).
2. THE ISF24SB-SN BURNER IS DESIGNED ONLY FOR USAGE WITH NATURAL GAS AND MUST ONLY BE INSTALLED WITH THE E-VKN GAS VALVE SYSTEM. THIS VALVE SYSTEM COMES IN A 12" x 12" x 4" NEMA 1 ENCLOSURE AND MUST BE INSTALLED WITHIN 7' OF FIREPLACE. VALVE SYSTEM REQUIRES 120 VAC.
3. GAS TYPE IS AS INDICATED ON RATING PLATE. DO NOT USE NATURAL GAS BURNER WITH PROPANE, OR A PROPANE BURNER WITH NATURAL GAS. APPLIANCE IS NOT FIELD CONVERTIBLE FOR USE WITH OTHER GASES.
4. DRAWINGS ARE FOR DESIGN PURPOSES ONLY AND ARE THE SOLE PROPERTY OF EARTHCORE INDUSTRIES. ANY REPRODUCTION OR UNAUTHORIZED USE IS STRICTLY PROHIBITED. EARTHCORE/ ISOKERN OR ANY DIVISION THEREOF SHALL NOT BE HELD LIABLE FOR ANY INCIDENTAL OR CONSEQUENTIAL DAMAGES OR EXPENSES ARISING OUT OF THE USE OF THEIR BURNERS, FIREPLACES OR CHIMNEY SYSTEMS.

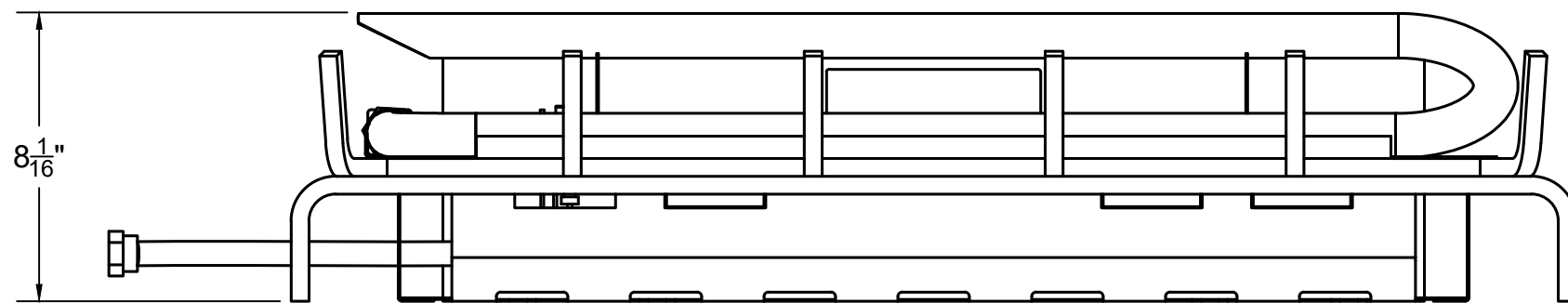
ISOFLAMES STADIUM BURNER (NG): LISTED ANSI Z21.60											
PART NUMBER	BTU		PRESSURE: W.C.			MIN FIREPLACE DIMS (in)					
	MAX	MIN	INLET MAX	INLET MIN	MANIFOLD	DEPTH	HEIGHT	REAR WIDTH	FRONT WIDTH	CHIMNEY OPENING SQ IN	
ISF24SB-SN	62K	44K	10.5	5	3.6 - 1.6	18	20	25	34	39	
 6899 Phillips Industrial Blvd. Jacksonville, Fl. 32256		UNLESS OTHERWISE STATED, ALL DIMENSIONS ARE IN INCHES			PROJECT: ISOFLAMES 24" STADIUM BURNER (NG)						
		UNSPECIFIED TOLERANCES		THIRD ANGLE PROJECTION		DESCRIPTION: OVERALL DIMENSIONS/ SPECIFICATION					
		ANG. .X ±			MATERIAL: VARIES						
		LIN. .X ±			DRAWN: K.B.H		DATE: 5/1/2025	SIZE: A	SCALE: 1:10	DRAWING #: ISF24SB-SN-SPEC	REV:
.XX ±	APPROVED:				DATE:	DO NOT SCALE	SHEET # 1 OF 1				
.XXX ±											



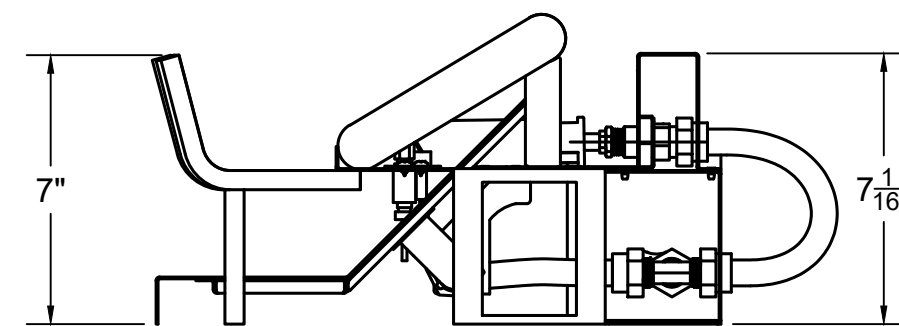
TOP VIEW



ISOMETRIC VIEW
SCALE: N.T.S



FRONT VIEW

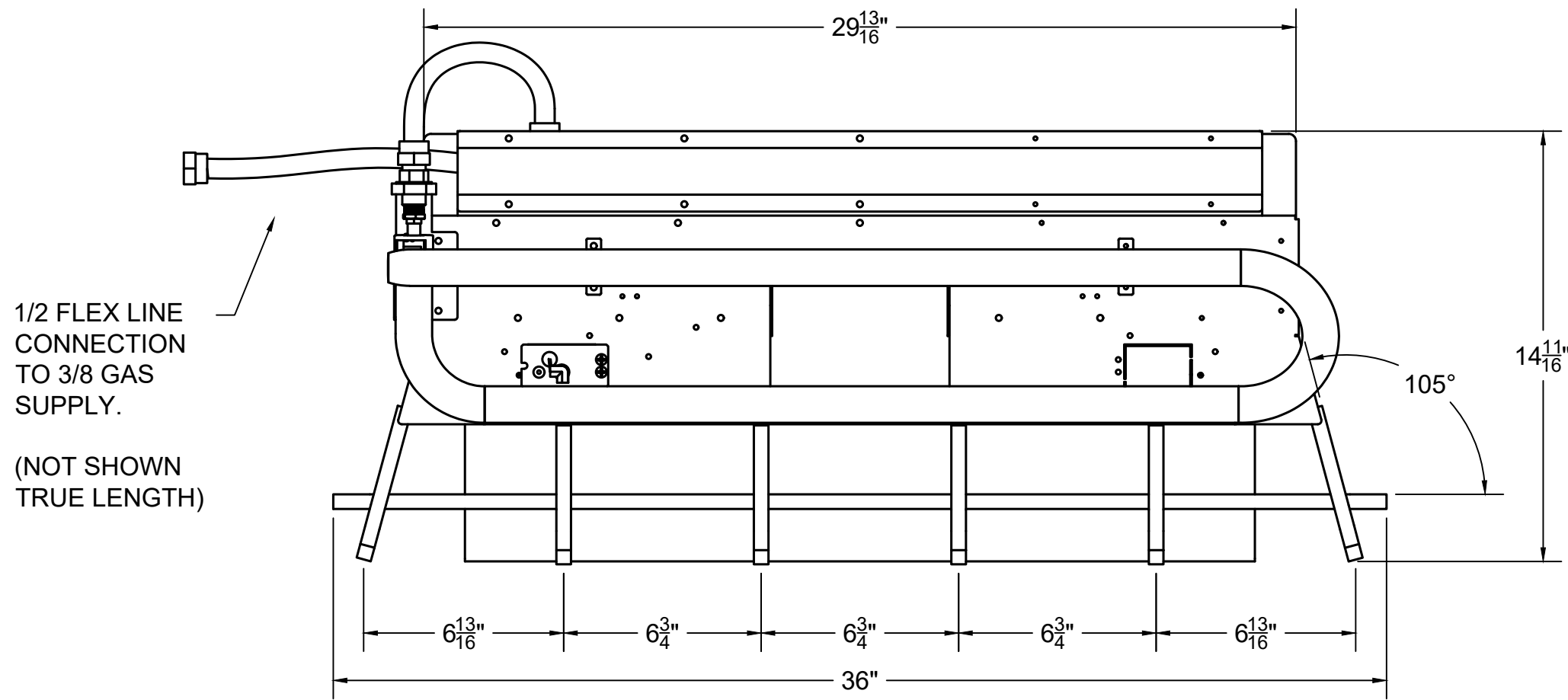


RIGHT SIDE VIEW

GENERAL NOTES:

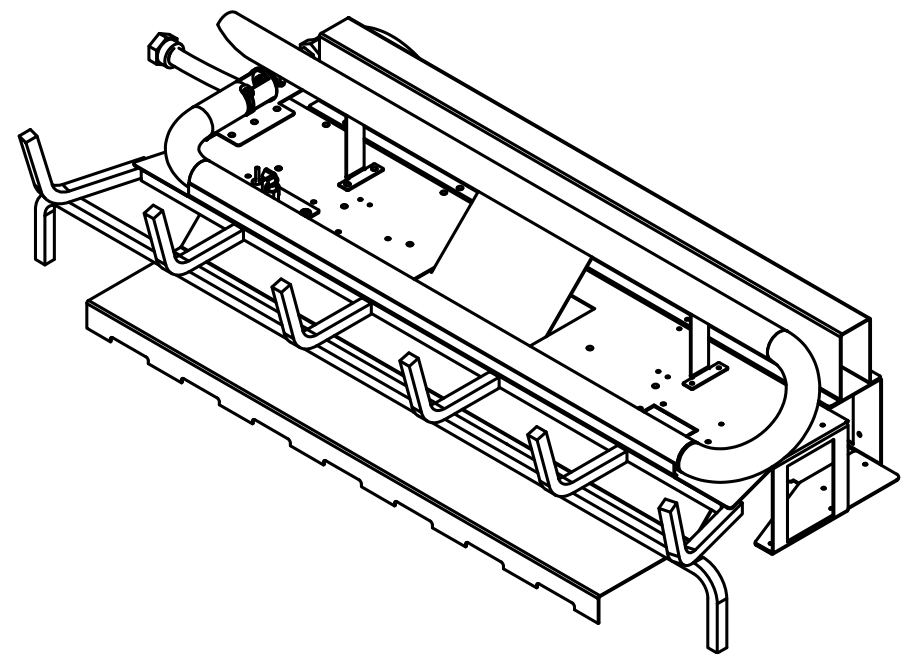
1. THE ISOFLAMES STADIUM BURNERS ARE TESTED/ LISTED TO Z21.60 (PFS REPORT NO. F21-725).
2. THE ISF36SB-SP BURNER IS DESIGNED ONLY FOR USAGE WITH PROPANE AND MUST ONLY BE INSTALLED WITH THE E-VKP GAS VALVE SYSTEM. THIS VALVE SYSTEM COMES IN A 12" x 12" x 4" NEMA 1 ENCLOSURE AND MUST BE INSTALLED WITHIN 7' OF FIREPLACE. VALVE SYSTEM REQUIRES 120 VAC.
3. GAS TYPE IS AS INDICATED ON RATING PLATE. DO NOT USE NATURAL GAS BURNER WITH PROPANE, OR A PROPANE BURNER WITH NATURAL GAS. APPLIANCE IS NOT FIELD CONVERTIBLE FOR USE WITH OTHER GASES.
4. DRAWINGS ARE FOR DESIGN PURPOSES ONLY AND ARE THE SOLE PROPERTY OF EARTHCORE INDUSTRIES. ANY REPRODUCTION OR UNAUTHORIZED USE IS STRICTLY PROHIBITED. EARTHCORE/ ISOKERN OR ANY DIVISION THEREOF SHALL NOT BE HELD LIABLE FOR ANY INCIDENTAL OR CONSEQUENTIAL DAMAGES OR EXPENSES ARISING OUT OF THE USE OF THEIR BURNERS, FIREPLACES OR CHIMNEY SYSTEMS.

ISOFLAMES STADIUM BURNER (LP): LISTED ANSI Z21.60													
PART NUMBER	BTU		PRESSURE: W.C.			MIN FIREPLACE DIMS (in)							
	MAX	MIN	INLET MAX	INLET MIN	MANIFOLD	DEPTH	HEIGHT	REAR WIDTH	FRONT WIDTH	CHIMNEY OPENING SQ IN			
ISF36SB-SP	81K	61K	14	11	10 - 6.4	18	20	36	44	49			
 6899 Phillips Industrial Blvd. Jacksonville, Fl. 32256			UNLESS OTHERWISE STATED, ALL DIMENSIONS ARE IN INCHES			PROJECT: ISOFLAMES 36" STADIUM BURNER (LP)							
			UNSPECIFIED TOLERANCES			THIRD ANGLE PROJECTION			DESCRIPTION: OVERALL DIMENSIONS/ SPECIFICATION				
			ANG. .X ±						MATERIAL: VARIES				
			LIN. .X ±						DRAWN: K.B.H				
						DATE: 5/1/2025		SIZE: A		SCALE: 1:10			
						DATE:		DRAWING #: ISF36SB-SP-SPEC		REV:			
								DO NOT SCALE		SHEET # 1 OF 1			

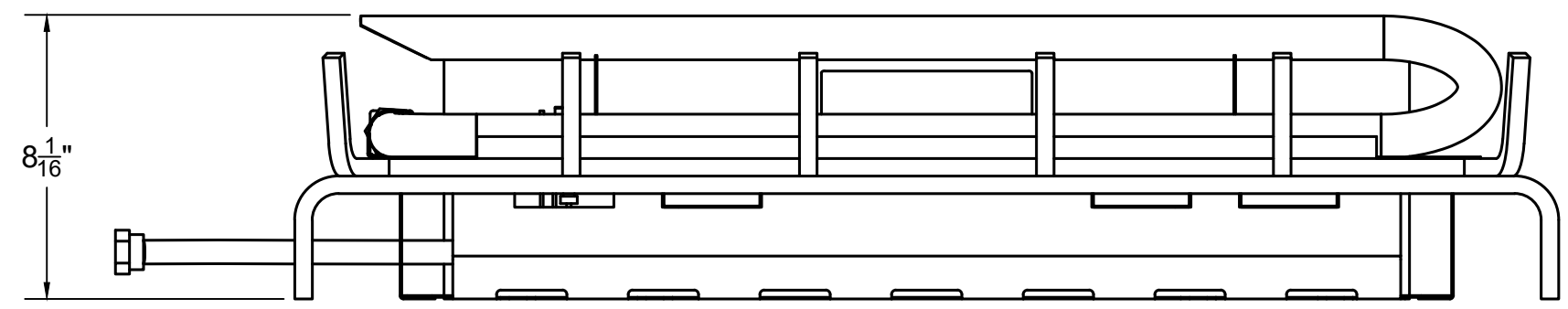


1/2 FLEX LINE CONNECTION TO 3/8 GAS SUPPLY.
(NOT SHOWN TRUE LENGTH)

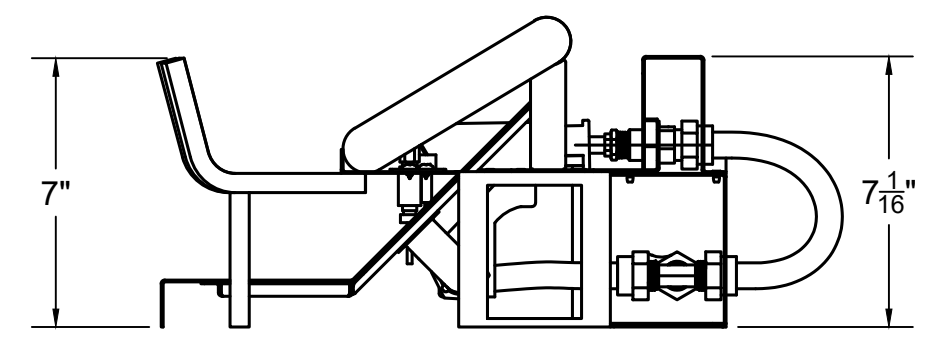
TOP VIEW



ISOMETRIC VIEW
SCALE: N.T.S



FRONT VIEW



RIGHT SIDE VIEW

GENERAL NOTES:

1. THE ISOFLAMES STADIUM BURNERS ARE TESTED/ LISTED TO Z21.60 (PFS REPORT NO. F21-725).
2. THE ISF36SB-SN BURNER IS DESIGNED ONLY FOR USAGE WITH NATURAL GAS AND MUST ONLY BE INSTALLED WITH THE E-VKN GAS VALVE SYSTEM. THIS VALVE SYSTEM COMES IN A 12" x 12" x 4" NEMA 1 ENCLOSURE AND MUST BE INSTALLED WITHIN 7' OF FIREPLACE. VALVE SYSTEM REQUIRES 120 VAC.
3. GAS TYPE IS AS INDICATED ON RATING PLATE. DO NOT USE NATURAL GAS BURNER WITH PROPANE, OR A PROPANE BURNER WITH NATURAL GAS. APPLIANCE IS NOT FIELD CONVERTIBLE FOR USE WITH OTHER GASES.
4. DRAWINGS ARE FOR DESIGN PURPOSES ONLY AND ARE THE SOLE PROPERTY OF EARTHCORE INDUSTRIES. ANY REPRODUCTION OR UNAUTHORIZED USE IS STRICTLY PROHIBITED. EARTHCORE/ ISOKERN OR ANY DIVISION THEREOF SHALL NOT BE HELD LIABLE FOR ANY INCIDENTAL OR CONSEQUENTIAL DAMAGES OR EXPENSES ARISING OUT OF THE USE OF THEIR BURNERS, FIREPLACES OR CHIMNEY SYSTEMS.

ISOFLAMES STADIUM BURNER (NG): LISTED ANSI Z21.60																	
PART NUMBER	BTU		PRESSURE: W.C.			MIN FIREPLACE DIMS (in)											
	MAX	MIN	INLET MAX	INLET MIN	MANIFOLD	DEPTH	HEIGHT	REAR WIDTH	FRONT WIDTH	CHIMNEY OPENING SQ IN							
ISF36SB-SN	85K	51K	10.5	5	3.6 - 1.6	18	20	36	44	51							
 6899 Phillips Industrial Blvd. Jacksonville, Fl. 32256		UNLESS OTHERWISE STATED, ALL DIMENSIONS ARE IN INCHES			PROJECT: ISOFLAMES 36" STADIUM BURNER (NG)												
		UNSPECIFIED TOLERANCES			THIRD ANGLE PROJECTION			DESCRIPTION: OVERALL DIMENSIONS/ SPECIFICATION									
		ANG.	.X	±	MATERIAL: VARIES												
		LIN.	.X	±				DRAWN: K.B.H		DATE: 5/1/2025		SIZE: A		SCALE: 1:10		DRAWING #: ISF36SB-SN-SPEC	
	.XX	±	APPROVED:					DATE:		DO NOT SCALE		SHEET # 1 OF 1					
	.XXX	±															