

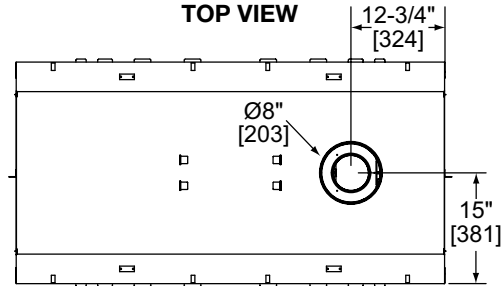
**MAJESTIC**

Please consult the manufacturer's installation manual for all details and requirements before making a final design layout decision.

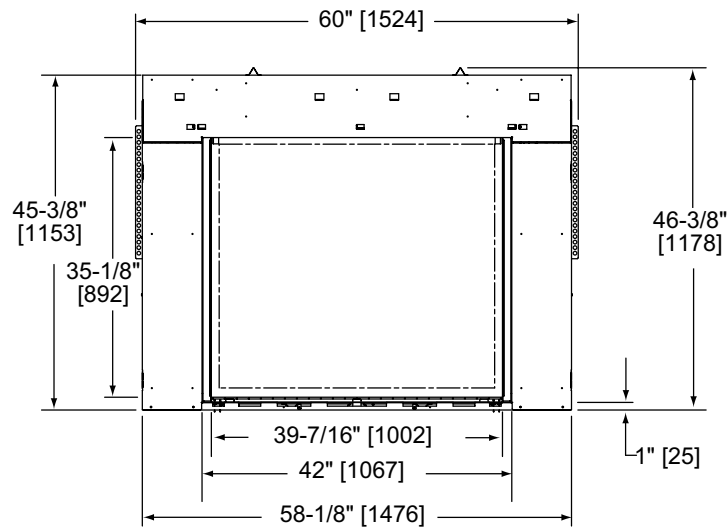
**MARQUIS II 42  
SEE-THROUGH**  
Direct Vent Gas Fireplace

MODEL	HEIGHT		FRONT WIDTH		BACK WIDTH		DEPTH		GLASS SIZE
	ACTUAL	FRAMING	ACTUAL	FRAMING	ACTUAL	FRAMING	ACTUAL	FRAMING	
<b>MARQ42ST</b> 57,500 BTU (NG) 52,000 BTU (LP)	46-3/8" [1178]	46-1/2" [1181]	60" [1524]	60-1/4" [1530]	60" [1524]	60-1/4" [1530]	30" [762]	30" [762]	39-7/16" x 35-1/8" [1002 X 892]

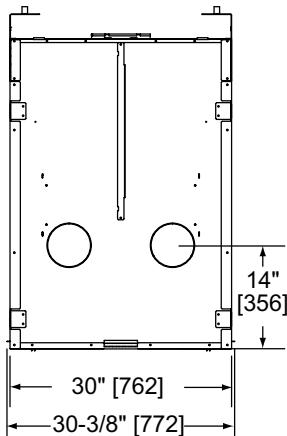
**TOP VIEW**



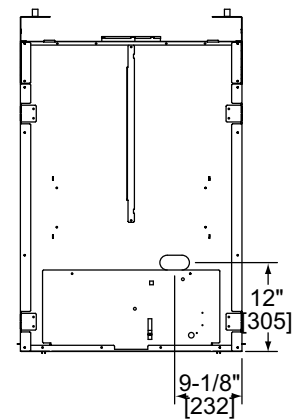
**FRONT VIEW**



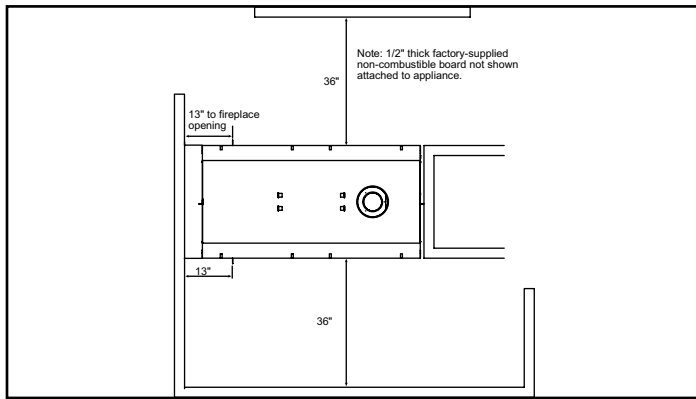
**LEFT SIDE**



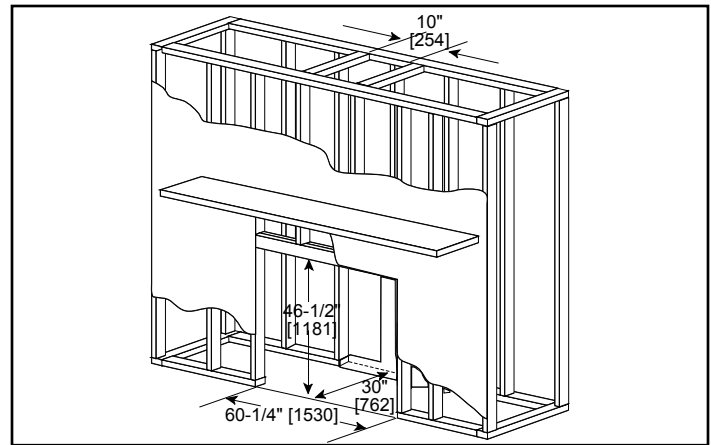
**RIGHT SIDE**



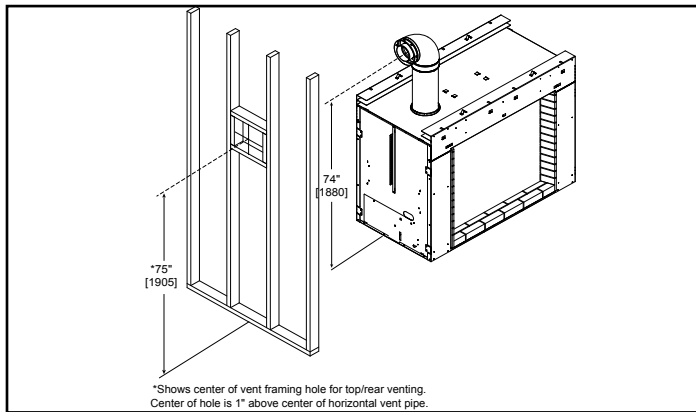
**FIREPLACE LOCATIONS**



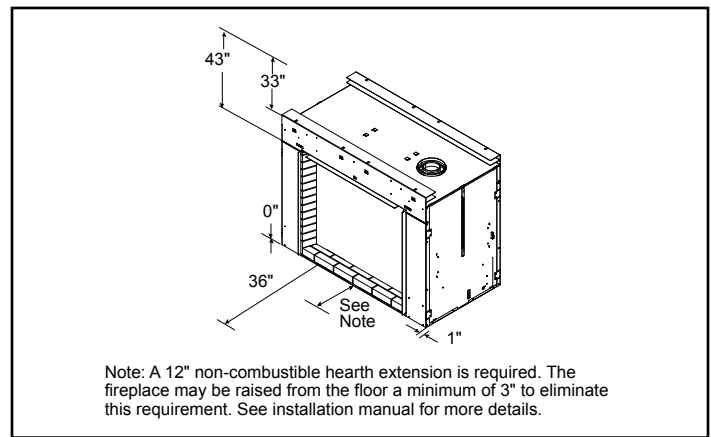
**FRAMING DIMENSIONS**



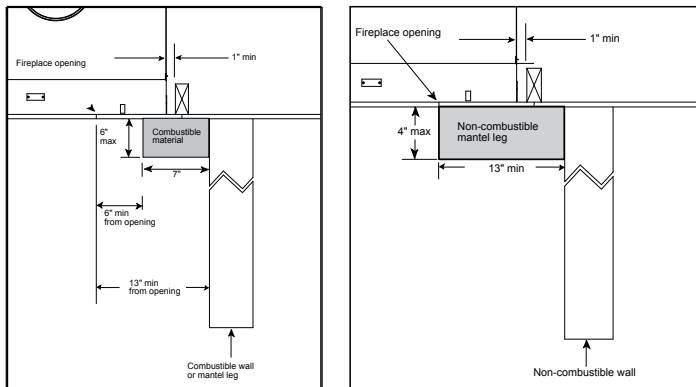
**WALL PENETRATION**



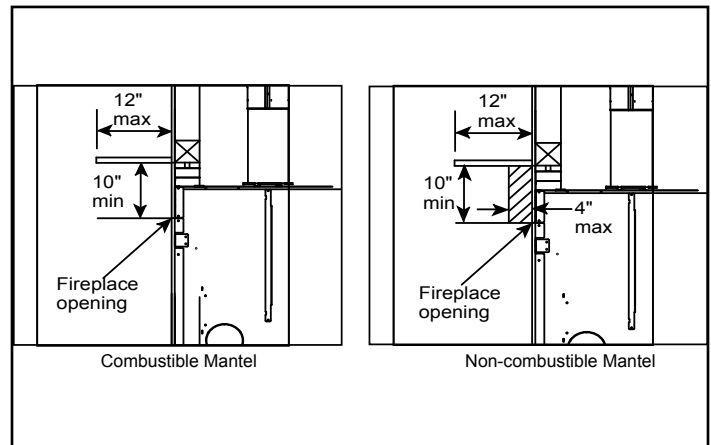
**CLEARANCES TO COMBUSTIBLES**




**MANTEL LEG/WALL PROJECTIONS**



**MANTEL PROJECTIONS**



PRODUCT LISTING CODES	
US	ANSI Z21.88a-2017
CAN	CSA 2.33a-2017
 US LISTED	UL307B

Product information provided is not complete and is subject to change without notice. Product installation must adhere strictly to instructions accompanying product to avoid risk of fire and potential injury.



Majestic — A Brand of Hearth & Home Technologies  
 7571 215th Street West | Lakeville, MN 55044  
 877-486-9123 | majesticproducts.com

