

SPEC SHEET

H Series

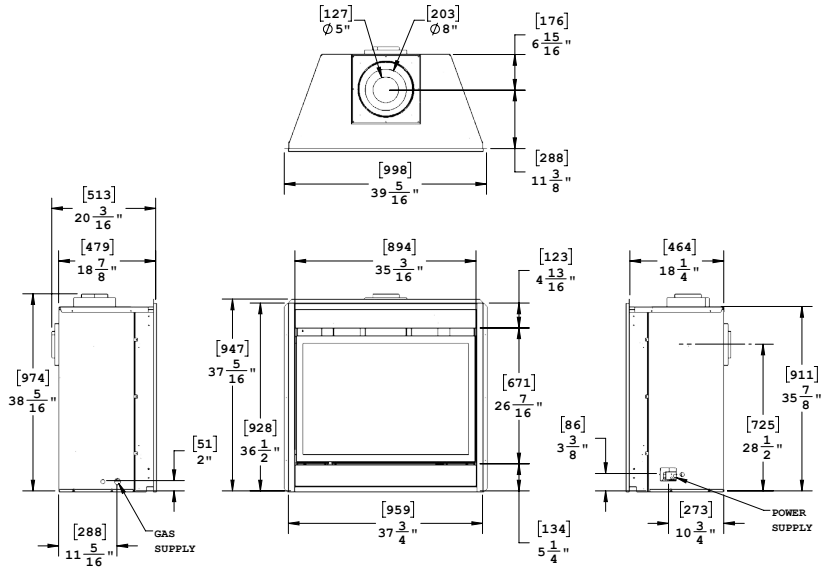
H38 & HW38

MONTIGO®

TRADITIONAL GAS FIREPLACE

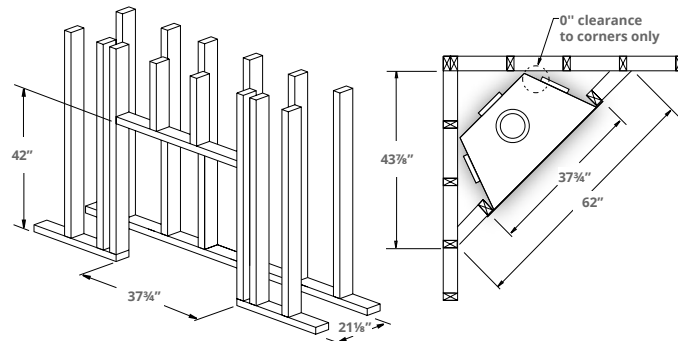
DIMENSIONS

| PART | ACTUAL | FRAMING |
|--------------|---|--------------------|
| FRONT WIDTH | 37 $\frac{3}{4}$ " | 37 $\frac{3}{4}$ " |
| BACK WIDTH | 24" | 37 $\frac{3}{4}$ " |
| HEIGHT | 36 $\frac{1}{2}$ " | 42" |
| DEPTH | 18 $\frac{1}{2}$ " | 21 $\frac{1}{2}$ " |
| VIEWING AREA | 35 $\frac{1}{4}$ " X 26 $\frac{3}{8}$ " | N/A |



FEATURES

- Snap-lock door for access to firebox
- Power vent capable
- Clean face design
- Snap-lock door for access to the firebox
- Hi/lo control to adjust flame level
- Convertible to top or rear flue vent
- Power vent compatible



TECHNICAL SPECIFICATIONS

H38 Comes standard with:

- Hi/lo control to adjust flame
- 26,000 BTU Traditional burner + fiber logset

H38 Options:

- Designer river rock kit (for natural gas only)
- Wrought iron grate
- Remote control
- Fireplace surround in satin black or stainless steel
- Traditional brick refractory and reflective glass panels
- Fan kit

HW38 Comes standard with:

- Hi/lo control to adjust flame
- 34,000 BTU Wildfire burner + logset
- Herringbone fiber brick refractory
- Remote control

HW38 Options:

- Fireplace surround in satin black or stainless steel
- Porcelain panel refractory
- Fan kit

Proflame 2 remote (standard in HW38)

