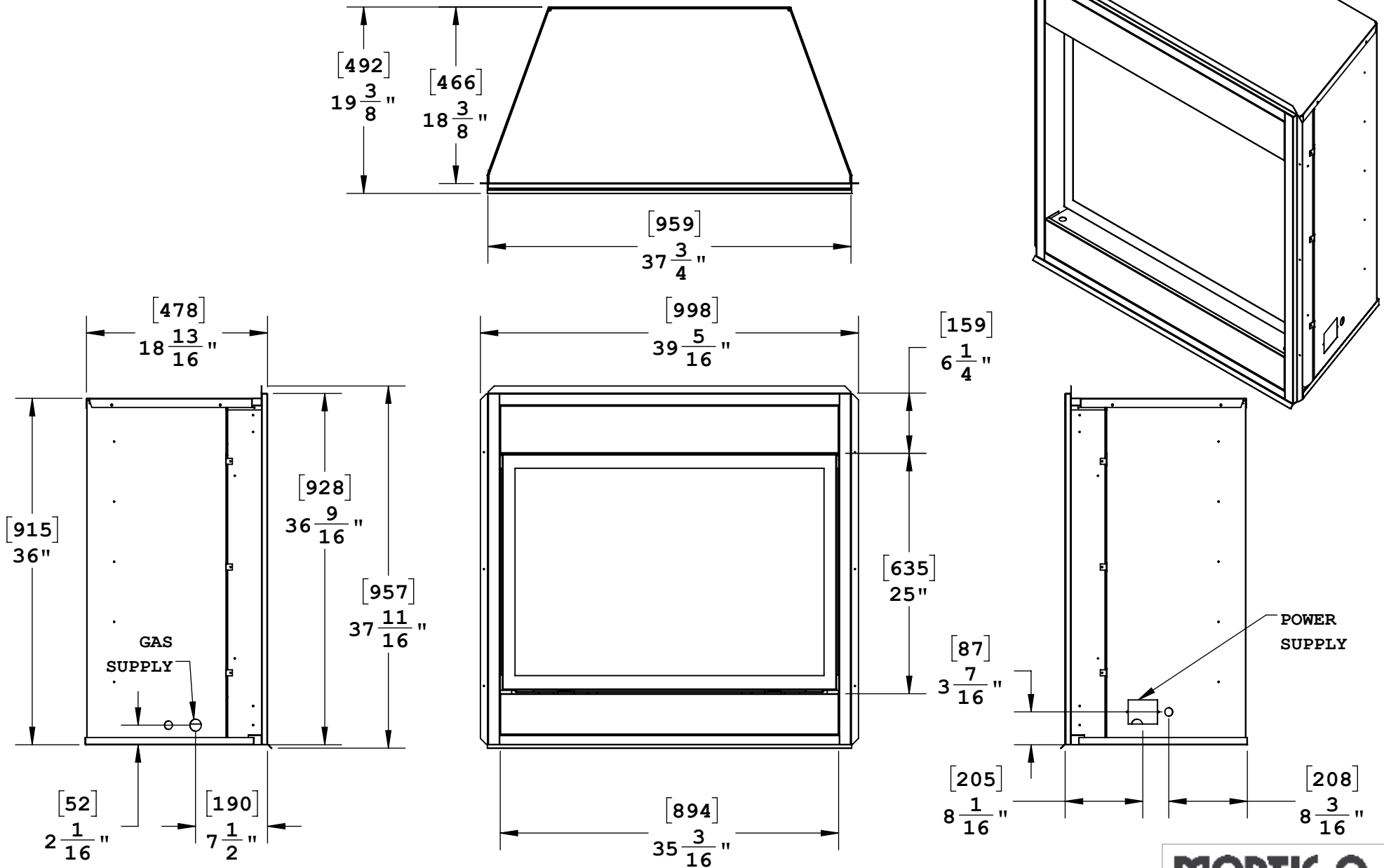


PROPRIETARY AND CONFIDENTIAL



DIMENSIONS TOLERANCES ARE IN:  
 METRIC - MM ± 1.6 MM  
 IMPERIAL - FRACTIONAL ± 1/16"

**MONTIGO**  
 the art of fireplaces

H38VFO / HL38VFO

DATE: December 5, 2017