

SPEC SHEET

Outdoor

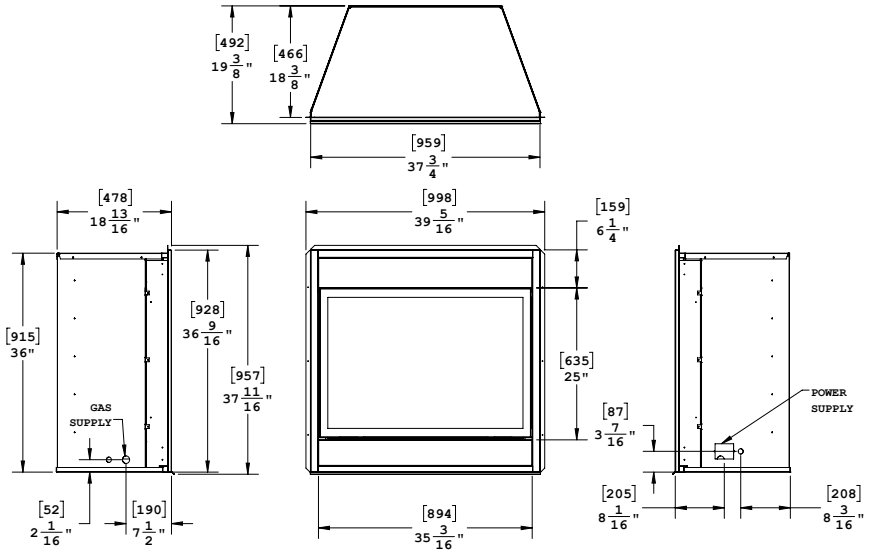
H38VO HL38VO

MONTIGO®

OUTDOOR GAS FIREPLACE

DIMENSIONS

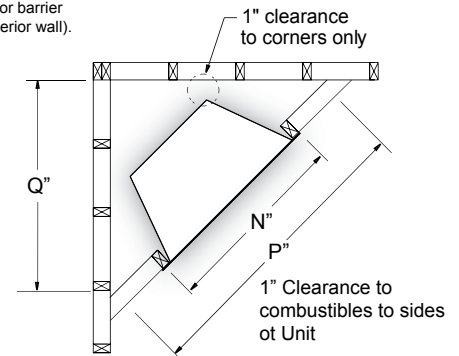
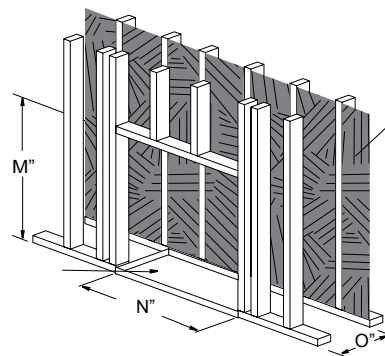
PART	ACTUAL	FRAMING
FRONT WIDTH	39 5/16"	37 7/8"
BACK WIDTH	25"	37 7/8"
HEIGHT	37 9/16"	43 3/8"
DEPTH	18 3/4"	21"
VIEWING AREA	25" X 35 1/4"	N/A



	M	N	O	P	Q
H34VON	40 3/8"	33 7/8"	20 3/4"	73 3/8"	52"
H38VON	43 3/8"	37 7/8"	21"	79"	55 1/2"
H42VON	46 3/8"	42"	22 1/2"	85"	60"

FEATURES

- Clean face design
- Stainless steel door with tempered glass
- Snap-lock door for access to the firebox
- Hi/lo control to adjust flame level (standing pilot only)
- Ventless design



TECHNICAL SPECIFICATIONS

H38VO standard with:

- 34,000 BTU Traditional burner + logset
- Hi/lo control to adjust flame level (standing pilot)

HL38VO standard with:

- 34,000 BTU Linear burner
- Hi/lo control to adjust flame level (standing pilot)

H38VO Options:

- Wrought iron grate
- Drain pan
- Various brick liners
- Mirror back panel

HL38VO Options:

- Various glass media
- Drain pan
- Various brick liners
- Mirror back panel