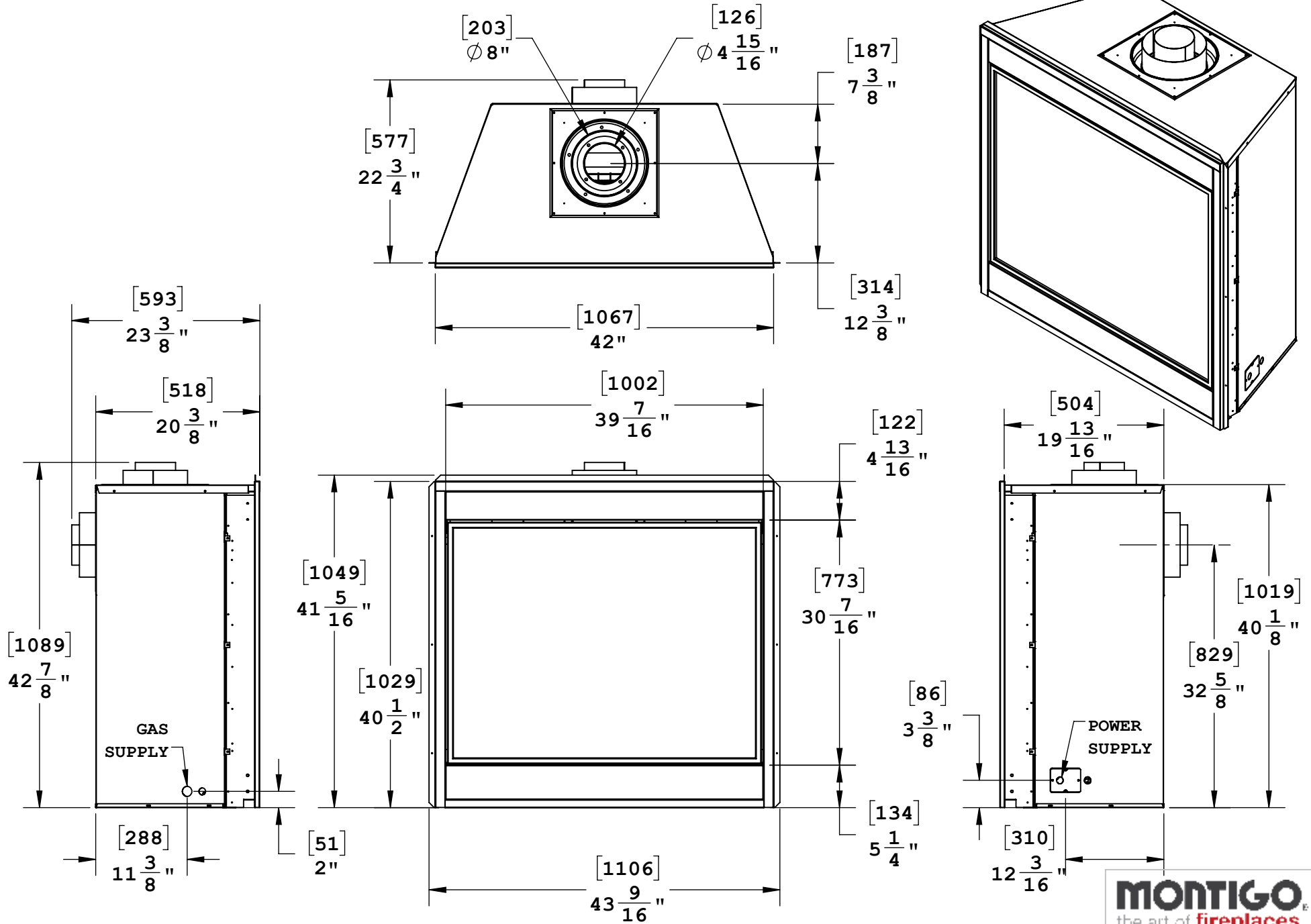


PROPRIETARY AND CONFIDENTIAL



DIMENSIONS TOLERANCES ARE IN:
 METRIC - MM ± 1.6 MM
 IMPERIAL - FRACTIONAL $\pm 1/16''$

MONTIGO
 the art of fireplaces

H42DF / HL42DF / HW42DF

DATE: November 24, 2017

THE INFORMATION CONTAINED IN THIS DRAWING IS THE SOLE PROPERTY OF CANADIAN HEATING PRODUCTS. ANY REPRODUCTION IN PART OR AS A WHOLE WITHOUT THE WRITTEN PERMISSION OF CANADIAN HEATING PRODUCTS IS PROHIBITED.