

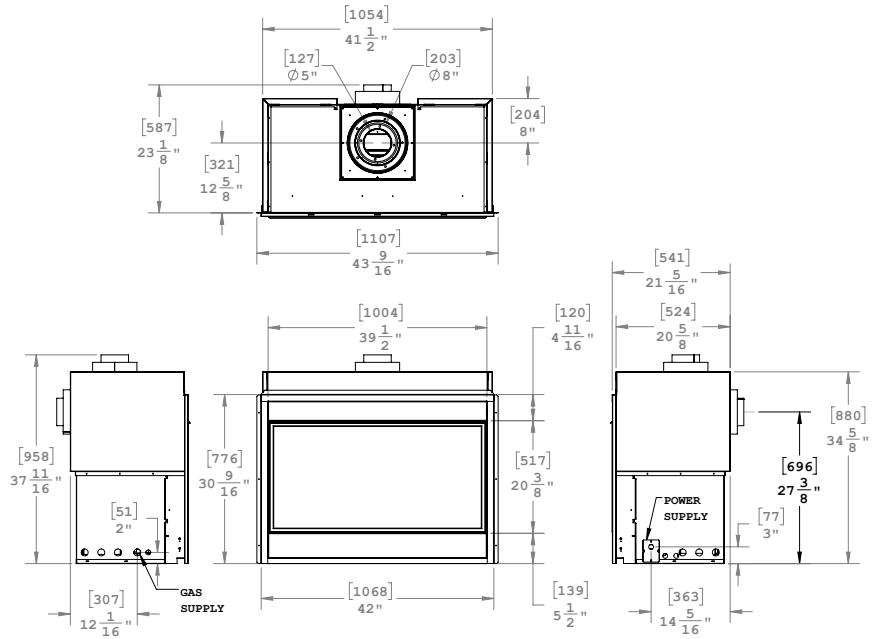
SPEC SHEET
P/PL Series
 PL42 & P42

MONTIGO®

LINEAR GAS FIREPLACE

DIMENSIONS

PART	ACTUAL	FRAMING
FRONT WIDTH	42"	42"
BACK WIDTH	41½"	42"
HEIGHT	34¾"	42"
DEPTH	20¾"	21¾"
VIEWING AREA	39½" X 20¾"	N/A



FEATURES

- Convertible to top or rear vent
- Snap-lock door for access to firebox
- Power vent capable
- Flush screen barrier

TECHNICAL SPECIFICATIONS

PL42 Comes standard with:

- 32,000 BTU Concealed ribbon burner with multiple media options

PL42 Options:

- Designer speckled stones, firestones, or fireglass
- Driftwood logset to accent any media option
- Fans equipped with speed control
- Black porcelain firebox liner
- Fireplace surround in satin black or stainless steel
- Full function remote control for flame modulation

P42 Comes standard with:

- 32,000 BTU Concealed ribbon burner with multiple media options
- Black porcelain firebox liner
- Accent up-lighting
- Multi-speed fans
- Full function remote control for flame modulation, thermostatic control, light on/off control, and fan speed control
- Battery backup for continuous operation during power failure

P42 Options:

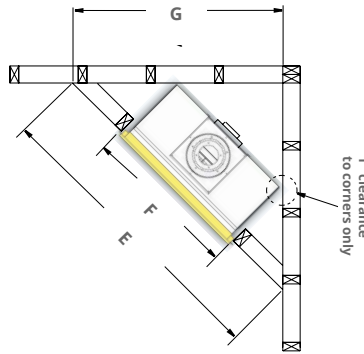
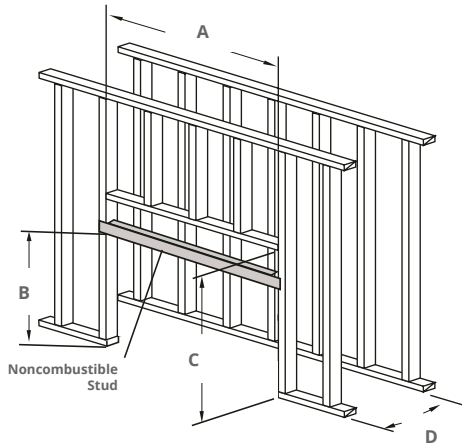
- Designer speckled stones, firestones, or fireglass
- Driftwood logset available to accent any media option
- Fireplace surround in satin black or stainless steel

SPEC SHEET
P/PL Series
 PL42 & P42

MONTIGO®

LINEAR GAS FIREPLACE

FRAMING SPECIFICATIONS



P42, PL42	
A	42"
B	35"
C	42"
D	21 7/8"
E	84 1/2"
F	42"
G	59 3/4"



CLEARANCE SPECIFICATIONS

- Sides: 0"
- Back: 0"
- Top - Top Vent: 9"
- Top - Rear Vent: 17 1/2"
- Floor: 0"



The perfect
 combination of
 performance
 and design