

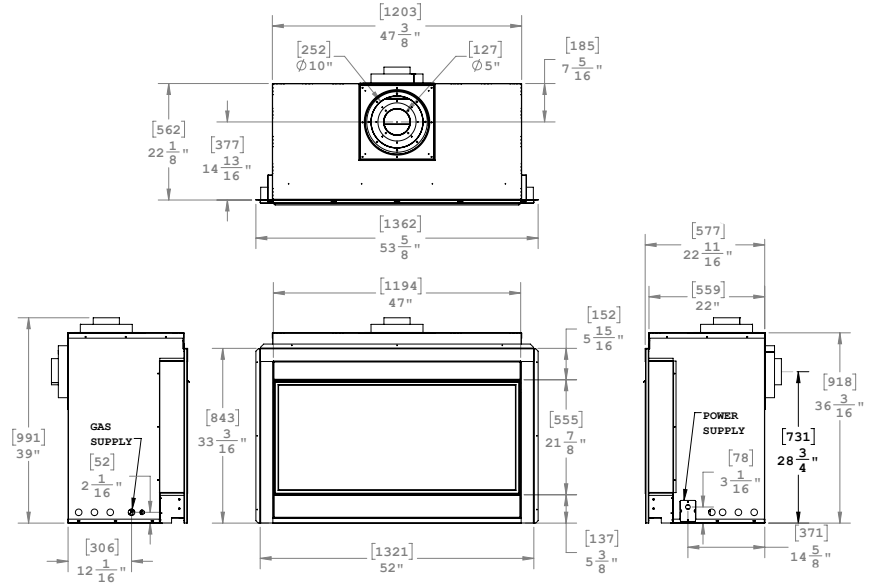
SPEC SHEET
P/PL Series
 PL52 & P52

MONTIGO®

LINEAR GAS FIREPLACE

DIMENSIONS

PART	ACTUAL	FRAMING
FRONT WIDTH	52"	52"
BACK WIDTH	47 $\frac{3}{8}$ "	52"
HEIGHT	36 $\frac{3}{16}$ "	43 $\frac{3}{4}$ "
DEPTH	22 $\frac{11}{16}$ "	24 $\frac{1}{4}$ "
VIEWING AREA	47" X 21 $\frac{7}{8}$ "	N/A



FEATURES

- Convertible to top or rear vent
- Snap-lock door for access to firebox
- Power vent capable
- Flush screen barrier

TECHNICAL SPECIFICATIONS

PL52 Comes standard with:

- 40,000 BTU Concealed ribbon burner with multiple media options

PL52 Options:

- Designer speckled stones, firestones, or fireglass
- Driftwood logset to accent any media option
- Fans equipped with speed control
- Black porcelain firebox liner
- Fireplace surround in satin black or stainless steel
- Full function remote control for flame modulation

P52 Comes standard with:

- 40,000 BTU Concealed ribbon burner with multiple media options
- Black porcelain firebox liner
- Accent up-lighting
- Multi-speed fans
- Full function remote control for flame modulation, thermostatic control, light on/off control, and fan speed control
- Battery backup for continuous operation during power failure

P52 Options:

- Designer speckled stones, firestones, or fireglass
- Driftwood logset available to accent any media option
- Fireplace surround in satin black or stainless steel

SPEC SHEET

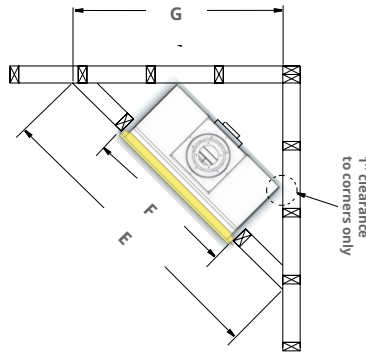
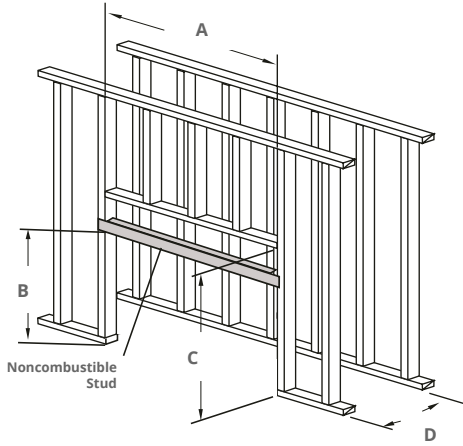
P/PL Series

PL52 & P52

MONTIGO®

LINEAR GAS FIREPLACE

FRAMING SPECIFICATIONS



P52, PL52	
A	52"
B	37 1/2"
C	43 3/4"
D	24 1/2"
E	98"
F	52"
G	64 1/4"



CLEARANCE SPECIFICATIONS

- Sides: 2 1/2"
- Back: 1"
- Top - Top Vent: 26"
- Top - Rear Vent: 12"
- Floor: 0"



The perfect
combination of
performance
and design