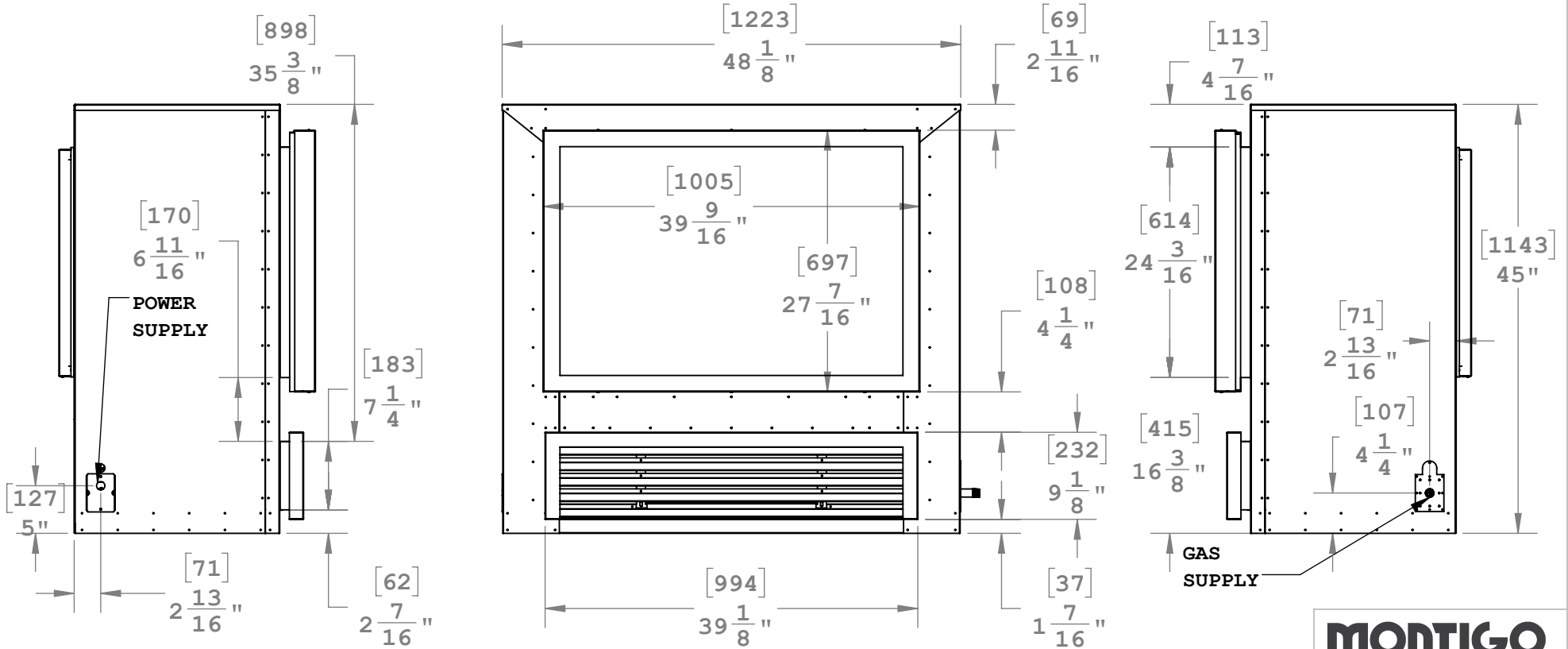
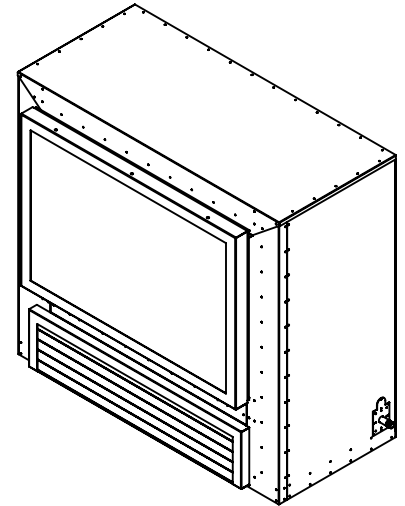
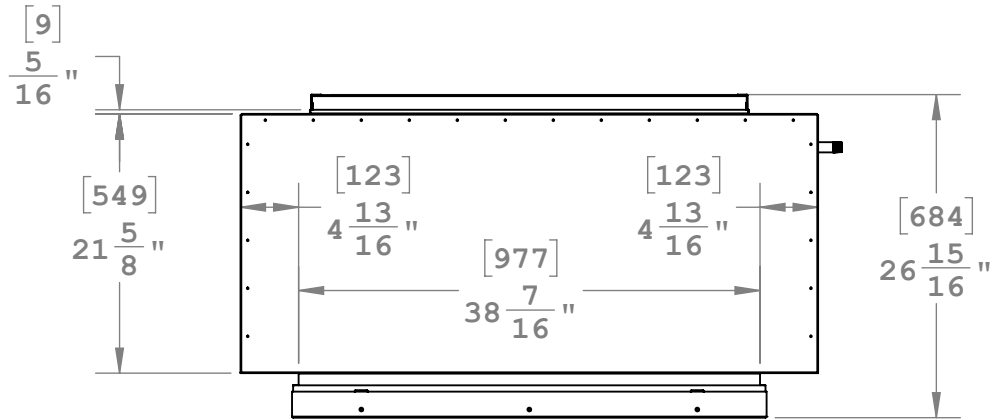


**OUTDOOR  
DIMENSIONS**



PROPRIETARY AND CONFIDENTIAL

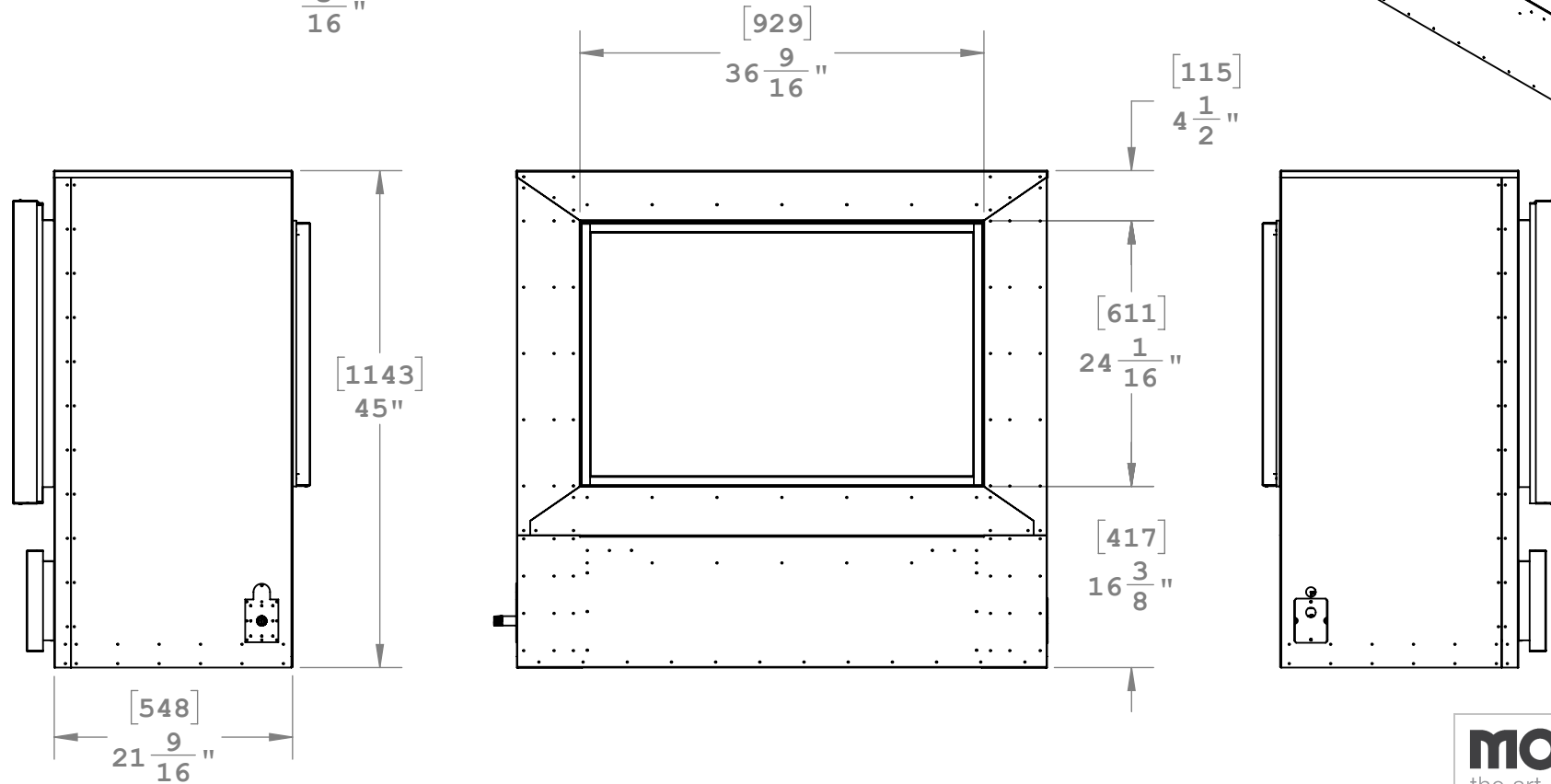
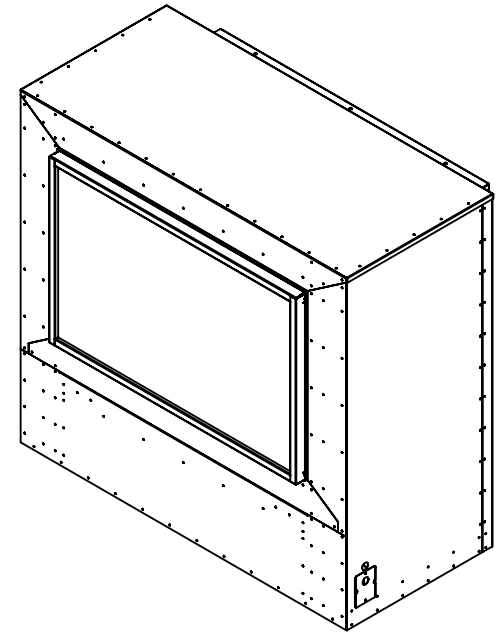
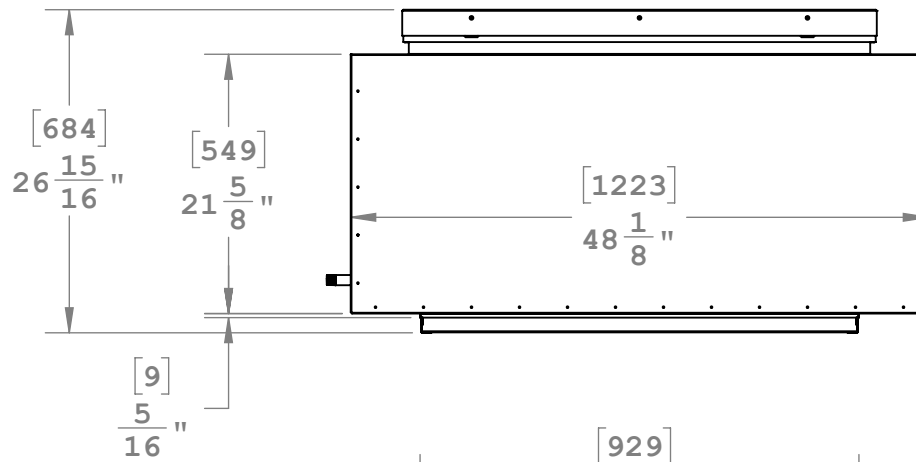
DIMENSIONS TOLERANCES ARE IN:  
METRIC - MM ± 1.6 MM  
IMPERIAL - FRACTIONAL ± 1/16"

**MONTIGO**  
the art of fireplaces

R324-STIO

DATE: October-02-17 12:33:39 PM

INDOOR  
DIMENSIONS



**MONTIGO**  
the art of fireplaces®

R324-STIO

DIMENSIONS TOLERANCES ARE IN:  
METRIC - MM ± 1.6 MM  
IMPERIAL - FRACTIONAL ± 1/16"

DATE: October-02-17 12:33:39 PM