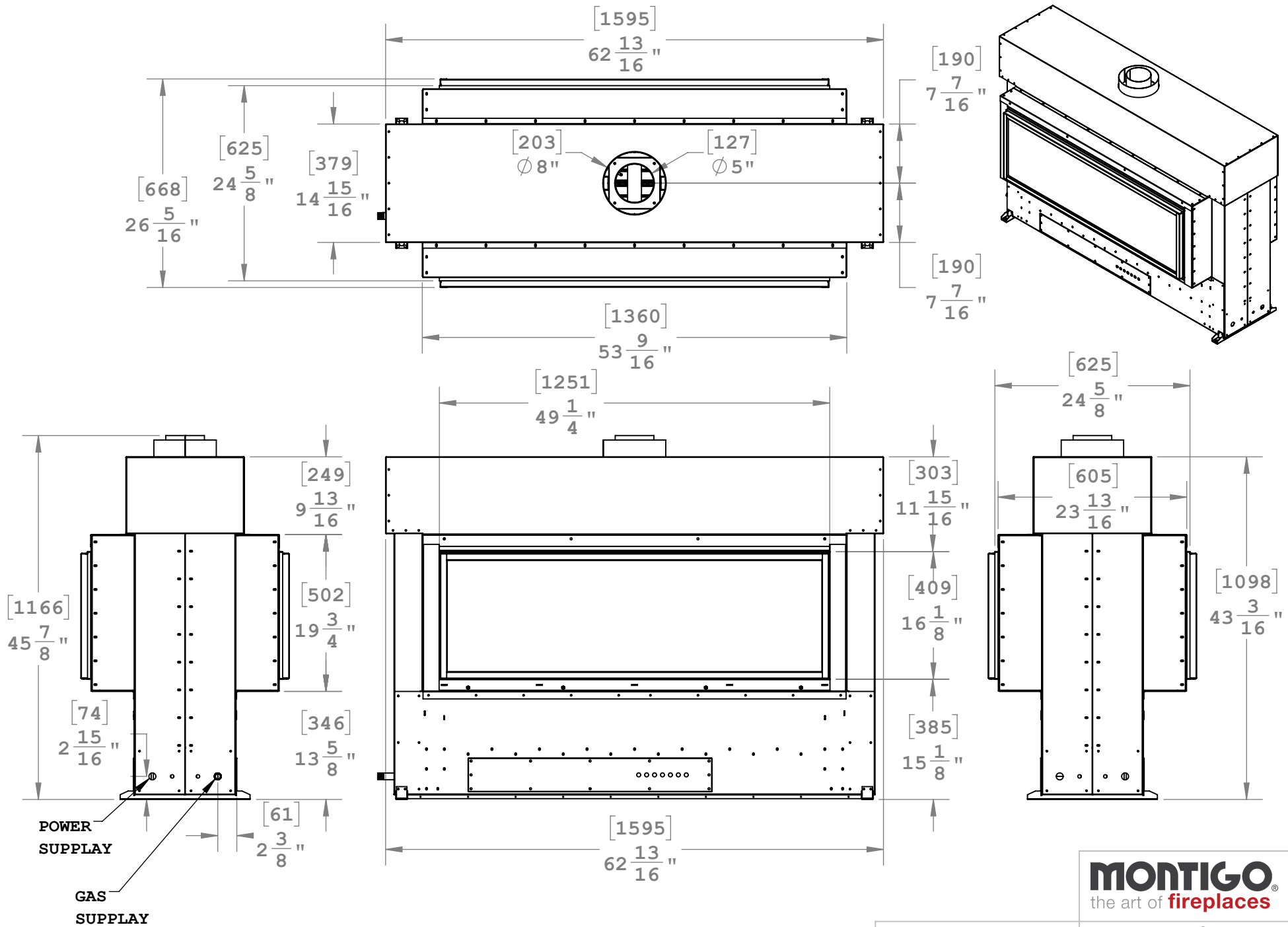


PROPRIETARY AND CONFIDENTIAL



DIMENSIONS TOLERANCES ARE IN:
 METRIC - MM \pm 1.6 MM
 IMPERIAL - FRACTIONAL \pm 1/16"

MONTIGO
 the art of fireplaces

R420-ST

DATE: October-02-17 2:18:41 PM