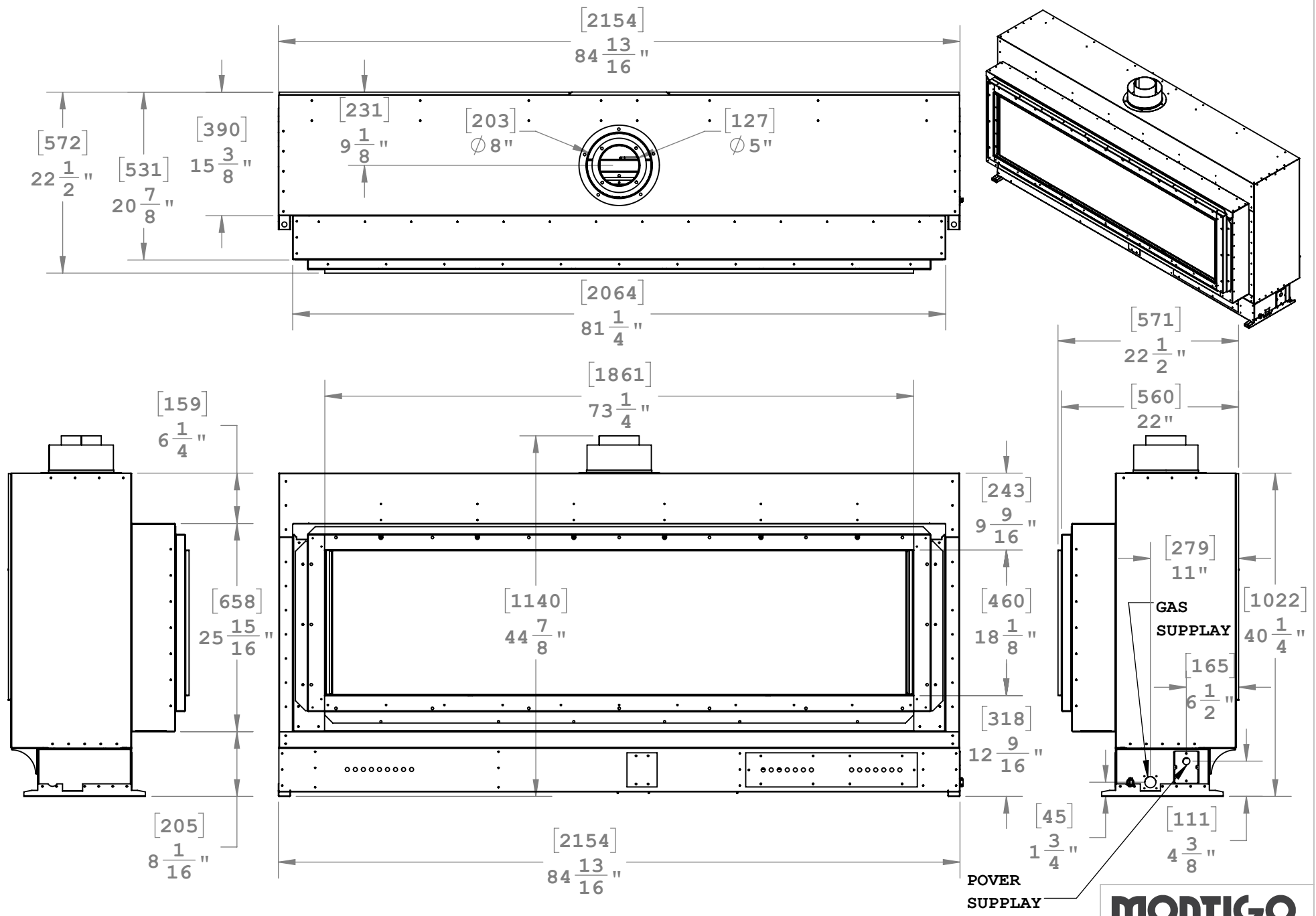


PROPRIETARY AND CONFIDENTIAL



DIMENSIONS TOLERANCES ARE IN:
 METRIC - MM ± 1.6 MM
 IMPERIAL - FRACTIONAL ± 1/16"

MONTIGO
 the art of fireplaces

RP620

DATE: October-03-17 2:26:51 PM