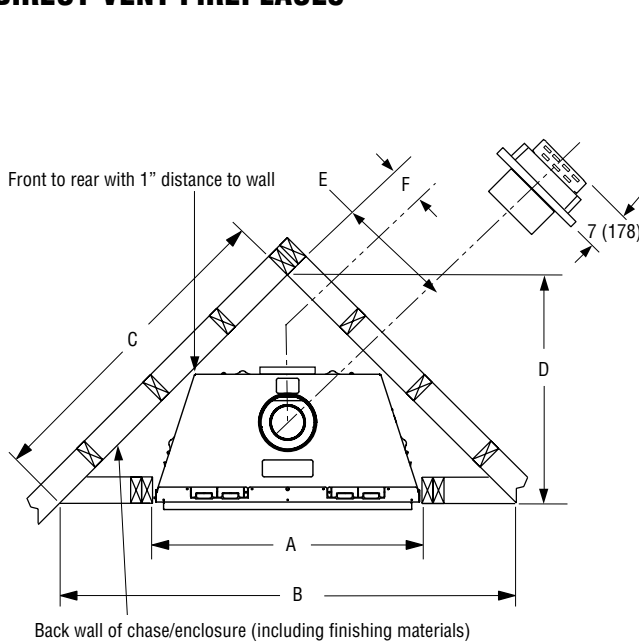


# DRT2000-C SERIES

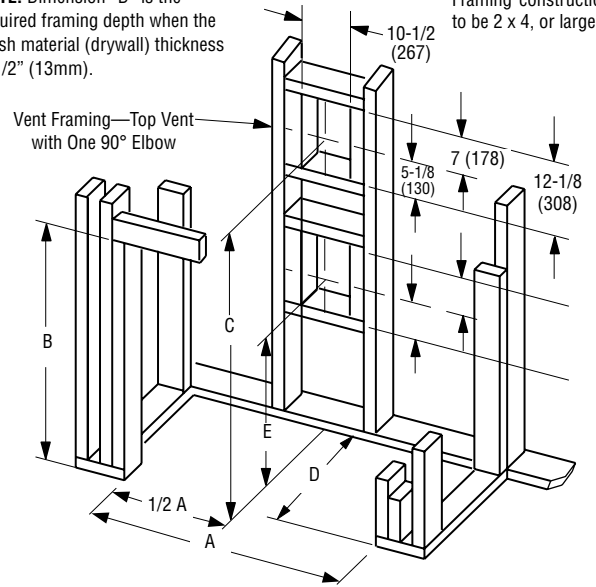
## DIRECT-VENT FIREPLACES

Framing Dimensions



**NOTE:** Dimension "D" is the required framing depth when the finish material (drywall) thickness is 1/2" (13mm).

Framing construction to be 2 x 4, or larger.



**NOTE:** When in top vent mode - No combustible material shall be allowed to contact the rear flue cap/cover.

C = Minimum height of top vent installations  
E = Minimum height of rear vent installations

Inches (millimeters)

Model	A	B	C	D	E	F
35" Models	35-7/8 (911)	59-1/2 (1511)	42-1/8 (1070)	30-1/4 (768)	14-1/4 (362)	6-5/8 (168)
40" Models	40-7/8 (1038)	63-7/8 (1622)	45-3/8 (1153)	33-1/4 (845)	15-7/8 (403)	8-1/2 (216)
45" Models	45-7/8 (1165)	70-3/8 (1788)	49-3/4 (1264)	35-1/4 (895)	17-1/2 (445)	10-1/4 (260)

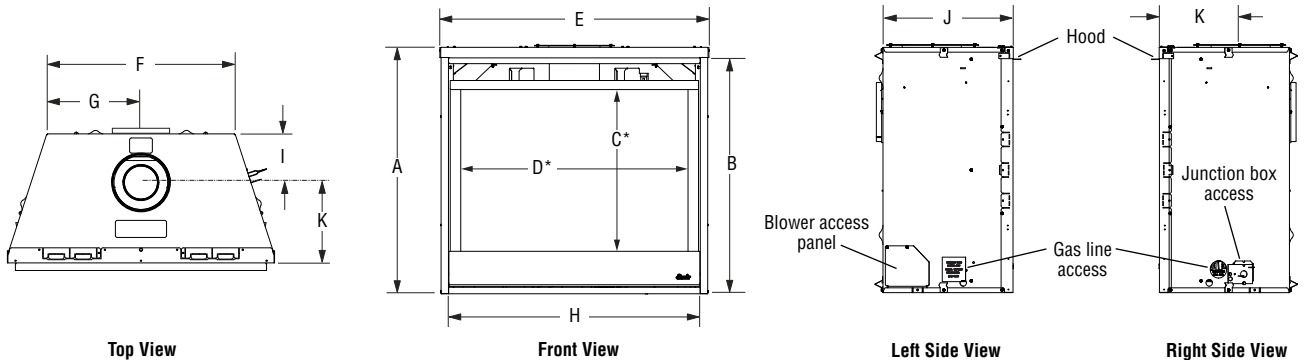
Model	A *	B	C	D	E
35" Models	35-7/8 (911)	36-1/4 (920)	38-3/4 (984)	18-1/2 (470)	23-3/8 (594)
40" Models	40-7/8 (1038)	41-1/4 (1148)	43-3/4 (1111)	18-1/2 (470)	28-1/4 (717)
45" Models	45-7/8 (1165)	41-1/4 (1148)	43-3/4 (1111)	18-1/2 (470)	28-1/4 (717)

\*Minimum opening size; additional 1/8" per side is recommended.

**NOTE:** Framing specifications do NOT apply for flexible venting. When using flexible venting, refer to the kit requirements for framing specifications.

**NOTE:** When in top vent mode, No combustible material shall be allowed to contact the rear flue cap/cover.

Fireplace Dimensions



Inches (millimeters)

\* C and D are glass viewing area dimensions

Model	A	B	C*	D*	E	F	G	H	I	J	K
35" Models	32-1/8 (816)	26-5/8 (677)	19-1/2 (496)	29-1/4 (743)	35-1/4 (895)	25 (635)	12-1/2 (317)	32-7/8 (835)	6-7/8 (175)	17 (432)	10-1/8 (258)
40" Models	37-1/8 (943)	34-5/8 (880)	24-1/2 (623)	34-1/4 (870)	40-1/4 (1022)	30 (762)	15 (381)	37-7/8 (962)	6-7/8 (175)	17 (432)	10-1/8 (258)
45" Models	37-1/8 (943)	34-5/8 (880)	24-1/2 (623)	39-1/4 (997)	45-1/4 (1149)	35 (889)	17-1/2 (445)	42-7/8 (1089)	6-7/8 (175)	17 (432)	10-1/8 (258)

NOTE: DIAGRAMS & ILLUSTRATIONS ARE NOT TO SCALE.

# DRT2000-C SERIES

Product Information

Cat. No.	Model	Description
F3877	DRT2035REN-C	35" DV,Rear, Elec,
F3878	DRT2035REP-C	35" DV,Rear, Elec
F3875	DRT2035RMN-C	35" DV, Rear, MV
F3876	DRT2035RMP-C	35" DV, Rear, MV
F3873	DRT2035TEN-C	35" DV, Top, Elec
F3874	DRT2035TEP-C	35" DV, Top, Elec
F3871	DRT2035TMN-C	35" DV, Top, MV
F3872	DRT2035TMP-C	35" DV, Top, MV
F3885	DRT2040REN-C	40" DV,Rear, Elec
F3886	DRT2040REP-C	40" DV,Rear, Elec

Cat. No.	Model	Description
F3883	DRT2040RMN-C	40" DV,Rear, MV
F3884	DRT2040RMP-C	40" DV,Rear, MV
F3881	DRT2040TEN-C	40" DV, Top, Elec
F3882	DRT2040TEP-C	40" DV, Top, Elec
F3879	DRT2040TMN-C	40" DV, Top, MV
F3880	DRT2040TMP-C	40" DV, Top, MV
F3889	DRT2045DEN-C	45" DV, Top/Rear, Elec
F3890	DRT2045DEP-C	45" DV, Top/Rear, Elec
F3887	DRT2045DMN-C	45" DV, Top/Rear, MV
F3888	DRT2045DMP-C	45" DV, Top/Rear, MV

Listing Information

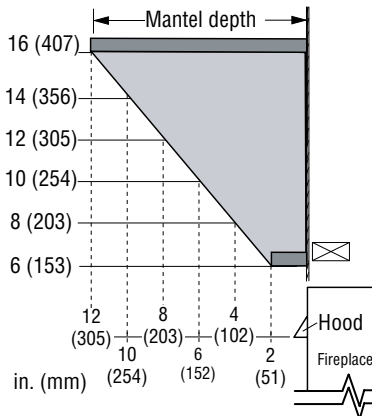


Report No. F13-094

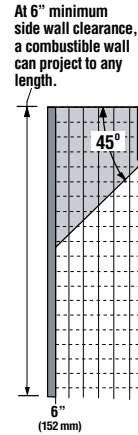
Listed by PFS Corporation to - ANSI Z21.88 (in Canada, CSA-2.33), and CAN/CGA-2.17-M91 in both USA and Canada, as a vented gas fireplace heater.

Clearances

### Mantel Clearance



### Side Wall Clearance



### Top View of Fireplace

Combustible Materials Allowed In Shaded Area "Safe Zone"

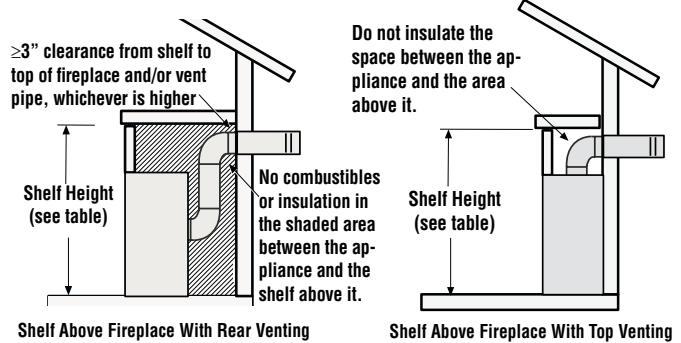
Combustible Walls shown in dark gray

Combustible mantel legs may project beyond either side of the fireplace opening as long as they are kept within the shaded area illustrated here.

Shelf Height

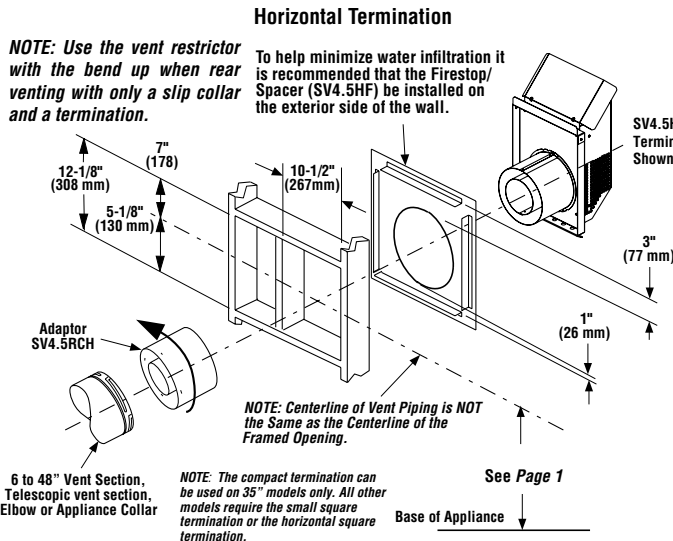
Model	Top Vent with one 90° Elbow		Alternative Rear Vent applications
	Secure Vent® (using rigid elbow)	Secure Flex® (using flex elbow)	Secure Vent®
35"	47" (1194 mm)*	49" (1245 mm)*	36-1/4" (921mm)**
40"	52" (1321 mm)*	54" (1372 mm)*	40-1/2" (1029mm)**
45"	50" (1270 mm)*	52" (1321 mm)*	45-1/2" (1156mm)**

- \* Includes 3" clearance to combustibles (required above vent components)
- \*\* In alternative, Rear Vent applications, Top Vent will be sealed as detailed in the Installation and Operation manual.
- \*\*\* When in top vent mode (45" units only); no combustible material shall be allowed to contact the rear flue cap/ cover.

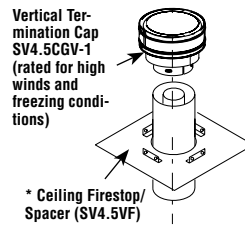


Specifications and clearances are subject to change without notice. Refer to Installation and Operation Manual before installation of these appliances for updated dimensions and instructions.

Venting



### Vertical Termination



### Typical Installations

