



# 24" Signature Series Freezer

Model Nos.    HP24FS-1L    HP24FS-2L    HP24FS-5    HP24FS-6  
 HP24FO-1L    HP24FO-2L    HP24FO-5    HP24FO-6

\* Also available with right hinge

Job \_\_\_\_\_  
Area \_\_\_\_\_  
Item No. \_\_\_\_\_  
Model No. \_\_\_\_\_



HP24FS-5



HP24FS-1R



### Features

- Designed with fully-integrated depth to allow flush fit with surrounding cabinetry
- Zero-clearance hinging allows for abutment with surrounding cabinetry
- Perlick's exclusive Variable Speed Compressor
- Front-vented, forced-air refrigeration
- **Industry Exclusive** full-extension shelves
- **Industry Exclusive** stainless steel interior
- Two (2) year full warranty on complete unit - Additional four (4) year limited warranty on the sealed refrigeration system
- **Industry Exclusive** Convertible Door Design allows all doors to be converted to wood overlay from stainless steel
- Door locks available
- **Industry Exclusive** drawer locks available
- Optional full-extension martini rack
- Interior digital display
- Freezer equipped with automatic hot gas defrost for maintenance-free defrosting
- Interior digital display system
- Adjustable full-extension shelving allow easy storage and access to goods
- Available with a solid stainless steel door, solid wood overlay door, two (2) stainless steel drawers or two (2) wood overlay drawers
- 5.3 cubic feet of capacity
- Freezer temperature -10° -10° F
- Indoor/outdoor rated models

*Luxury* YOU DESIRE  
INNOVATION YOU CAN'T LIVE WITHOUT

Form No.080210  
Rev. 07.05.2011



8300 W. Good Hope Rd. • Milwaukee, WI 53223  
1-800-558-5592 • Fax: (414) 353-7069 • perlick.com

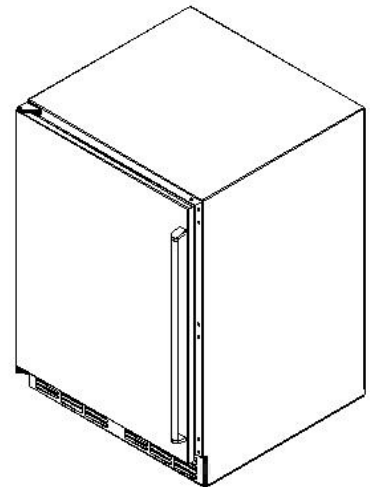
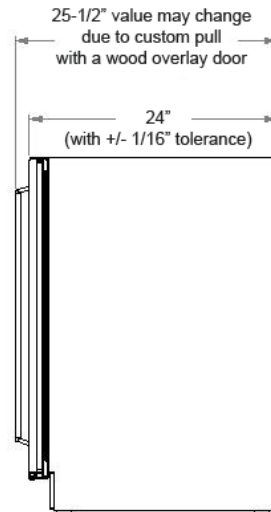
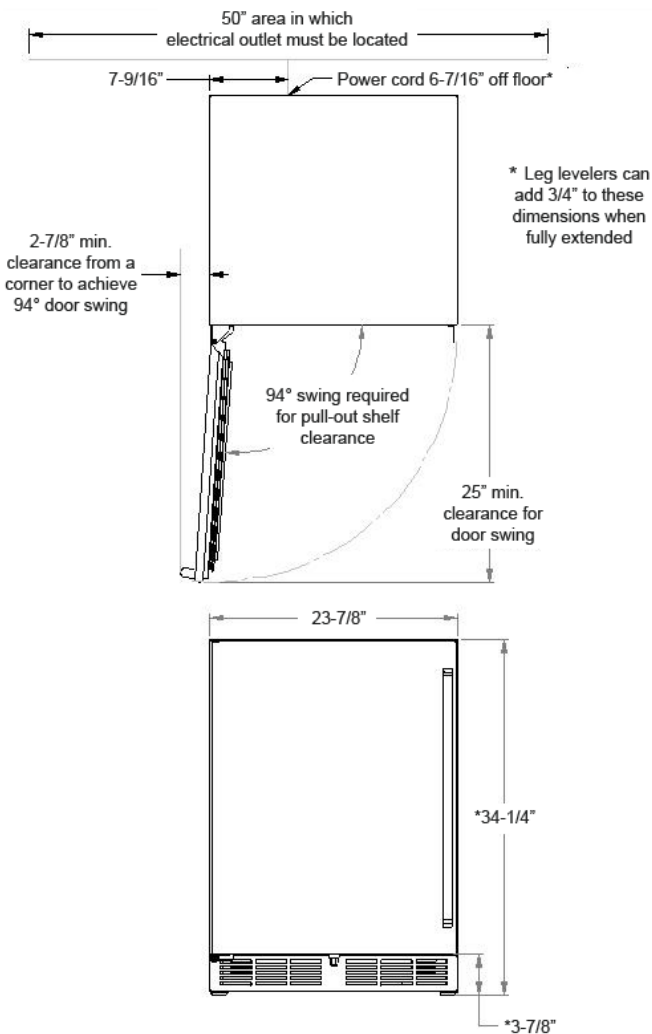
Perlick is committed to continuous improvement. Therefore, we reserve the right to change specifications without warning.

## 24" Signature Series Freezer

Indoor Models	Outdoor Models	Freezer
HP24FS-1L	HP24FO-1L	24" Freezer with solid stainless door hinge left
HP24FS-2L	HP24FO-2L	24" Freezer with solid wood overlay door hinge left
HP24FS-5	HP24FO-5	24" Freezer with stainless steel drawers
HP24FS-6	HP24FO-6	24" Freezer with wood overlay drawers

\* Also available with right hinge

Overall Width	23-7/8", 60.643 cm
Overall Height	34-1/4", 86.995 cm
Overall Depth	24", 60.96 cm
Capacity	5.3 cubic ft.
Min. Height Req.	34-3/8"
Door Swing Clearance	24-13/16"
Annual Energy Usage	308 kWh/yr
Electrical:	115V, 60 Hz, 1 phase AC, 2.3 amps
Plumbing:	none required
Shipping Weight:	215 lbs.



Form No.080210  
Rev. 07.05.2011



**8300 W. Good Hope Rd. • Milwaukee, WI 53223**  
**1-800-558-5592 • Fax: (414) 353-7069 • perlick.com**

Perlick is committed to continuous improvement. Therefore, we reserve the right to change specifications without warning.