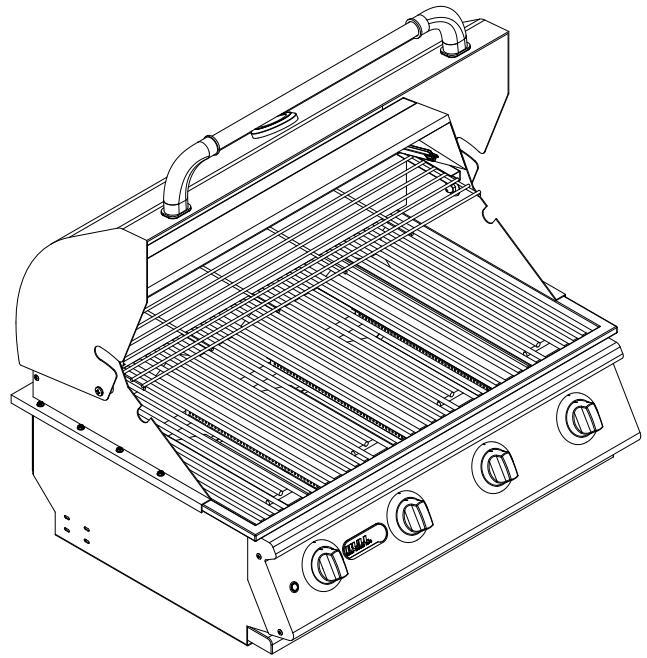


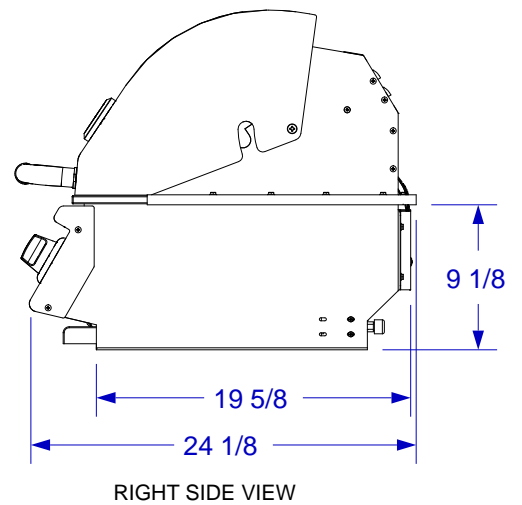
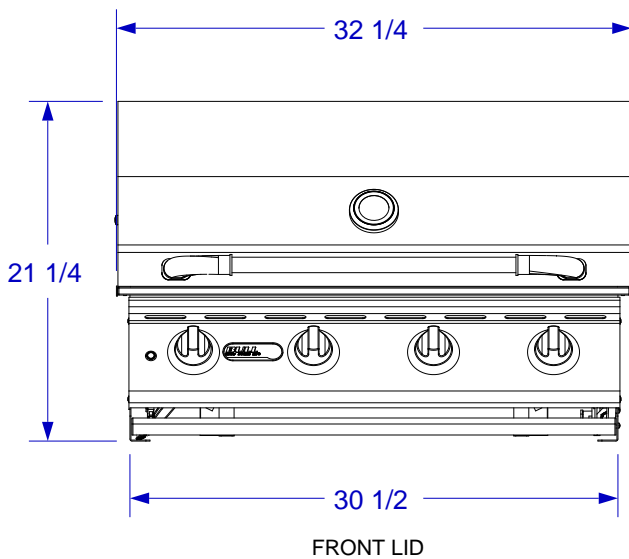


# LONESTAR SELECT GRILL SPEC SHEET

\*ISLAND MUST BE CONSTRUCTED WITH NON-COMBUSTIBLE MATERIALS; REFER TO GRILL OWNERS MANUAL



ISOMETRIC VIEW



**NOTES:**

1. CUTOUT DIMENSIONS: 31"W X 21"D X 9 1/2"H
2. SCALE: 1" = 1'-0"
3. REVISION: 10/2014