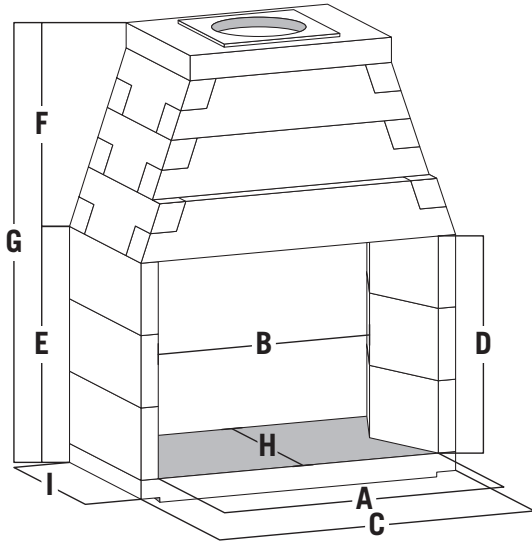


# 42" SEE-THROUGH

UL 127 & ANSI Z21.60 COMPLIANT

## PRODUCT DIMENSIONS



<b>WIDTH</b>	<b>A</b>	OPENING	44.5"
	<b>B</b>	FIREBOX REAR	34"
	<b>C</b>	OVERALL	50"
<b>HEIGHT</b>	<b>D</b>	OPENING	34.5"
	<b>E</b>	FIREBOX	38.25"
	<b>F</b>	SMOKE CHAMBER	31.5625"
	<b>G</b>	OVERALL	69.8125"
<b>DEPTH</b>	<b>H</b>	FIREBOX	28.5"
	<b>I</b>	OVERALL	28.5"
<b>DAMPER</b>		SIZE	TOP SEAL
<b>WEIGHT</b>	UNIT: 2,050 LBS INSTALL KIT: 850 LBS		

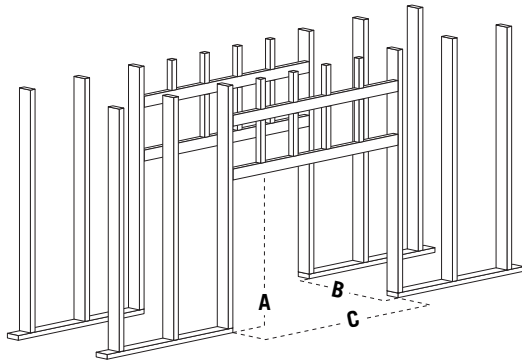
All measurements listed are based on dry stack units before firebrick is installed.

Dimensions are nominal and are given for design and framing reference only.

Please consult the manufacturer's installation manual for all details and requirements before making a final design layout decisions.

## RECOMMENDED FRAMING DIMENSIONS

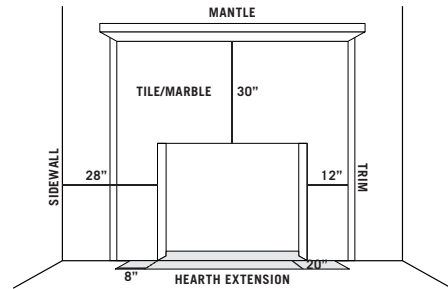
Dimensions add 0.5" of air space to the required clearances



<b>A*</b>	<b>B</b>	<b>C</b>
48.4375"	N/A	53"

\* It is recommended to not install framing header until after firebox is installed.

## CLEARANCE TO COMBUSTIBLES



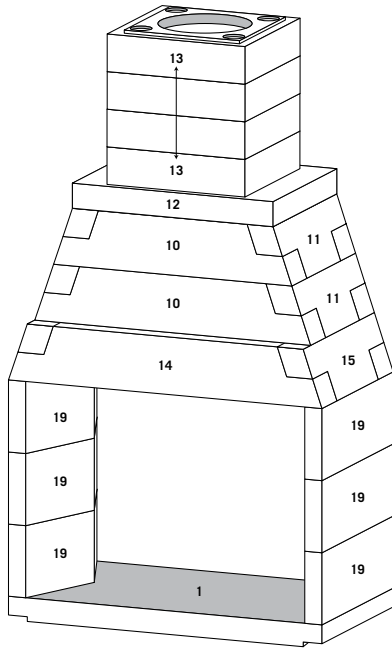
- OPENING TO SIDEWALL: 28"
- OPENING TO COMBUSTIBLE TRIM: 12"
- OPENING TO MANTLE WITH 8" DEPTH: 30"
- NONCOMBUSTIBLE HEARTH EXTENSION: 20" front; 8" each side
- FIREBOX & SMOKE CHAMBER TO COMBUSTIBLES OR FRAMING: 1"
- SMOKE CHAMBER (FRONT WALL & TOP) TO WOOD FRAMING: 1"

## AVAILABLE ACCESSORIES

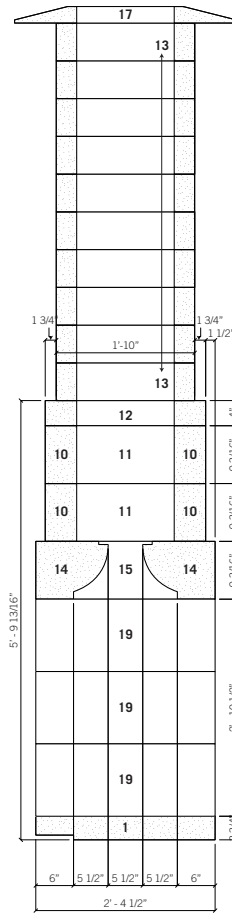
- FireRock Adhesive Mortar (MANDATORY)
- Solid Block Chimney
- Offset Block
- Brick Flange
- Firebrick
- Crown Cap
- Outside Air Kit
- Installation Kit
- Top Seal Damper
- Log Lighter
- LiteRock Riser
- UL 103 Metal Chimney (14")



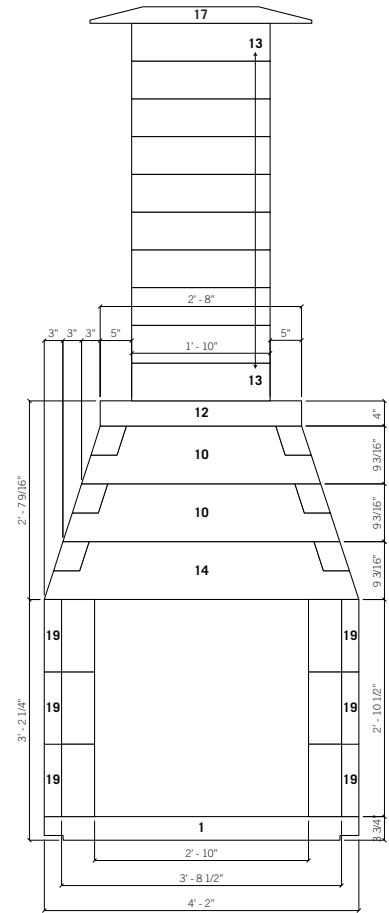
**FRO342 - FIREROCK 42" SEE-THROUGH**  
APPROVED FOR INDOOR & OUTDOOR USE



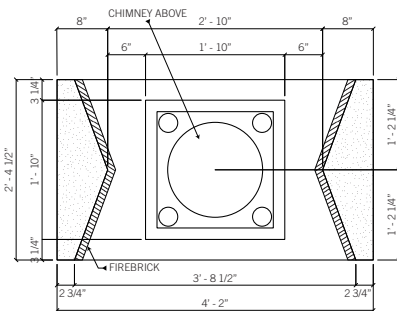
ISOMETRIC



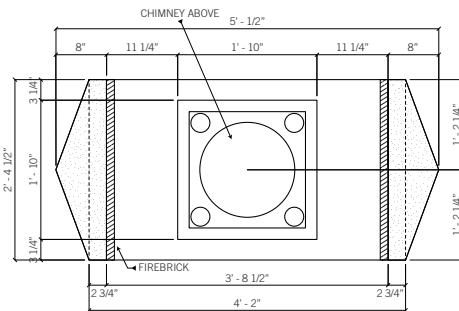
SECTION A-A



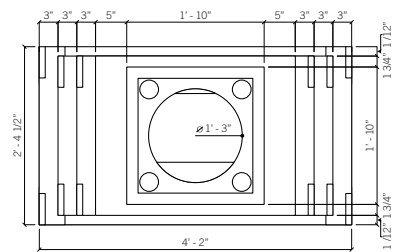
FRONT ELEVATION



FIREBOX PLAN



FIREBOX PLAN - ALT



CHIMNEY PLAN

#	COMPONENT NAME	#	COMPONENT NAME
1	BASE PLATE	17	LARGE CROWN CAP
10	SMOKE CHAMBER FRONT AND BACK	19	SEE-THROUGH FIREBOX SIDE
11	UNIVERSAL SMOKE CHAMBER SIDES		
12	CHIMNEY BASE		
13	CHIMNEY BLOCK		
14	RADIUS THROAT		
15	SEE-THROUGH THROAT SIDE		

\*NOTE: All pieces subject to a 1/8" tolerance