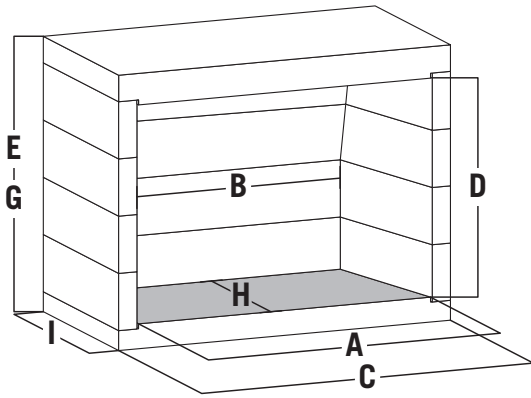


42" VENT FREE

ANSI Z21.91 COMPLIANT

PRODUCT DIMENSIONS



WIDTH	A	OPENING	44.5"
	B	FIREBOX REAR	34"
	C	OVERALL	50"
HEIGHT	D	OPENING	33"
	E	FIREBOX	40.5"
	F	SMOKE CHAMBER	N/A
	G	OVERALL	40.5"
DEPTH	H	FIREBOX	22.5"
	I	OVERALL	28.5"
DAMPER		SIZE	N/A
WEIGHT	UNIT: 1,650 LBS INSTALL KIT: 950 LBS		

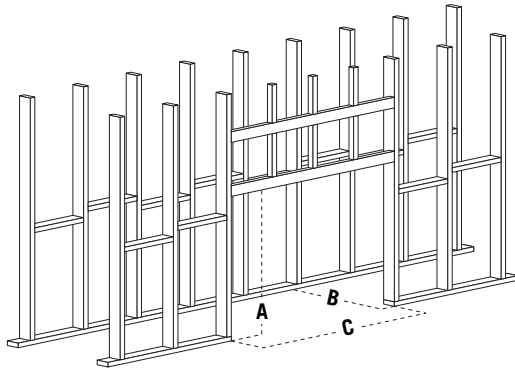
All measurements listed are based on dry stack units before firebrick is installed.

Dimensions are nominal and are given for design and framing reference only.

Please consult the manufacturer's installation manual for all details and requirements before making a final design layout decisions.

RECOMMENDED FRAMING DIMENSIONS

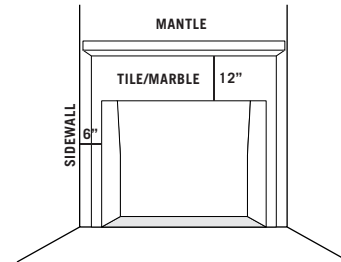
Dimensions add 0.5" of air space to the required clearances



A*	B	C
43.5"	29"	51"

* It is recommended to not install framing header until after firebox is installed.

CLEARANCE TO COMBUSTIBLES



- OPENING TO SIDEWALL: 6"
- OPENING TO MANTLE WITH 8" DEPTH: 12"
- FIREBOX & SMOKE CHAMBER TO COMBUSTIBLES OR FRAMING: 0"

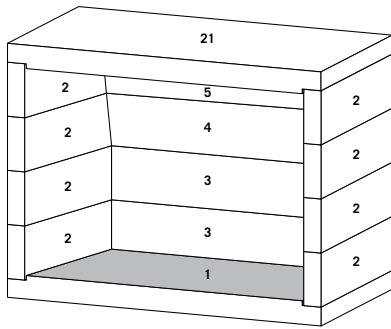
The front surface at the bottom and sides must be covered with noncombustible material. The top surface must be covered with a noncombustible material that extends 3" above the top of the surface.

AVAILABLE ACCESSORIES

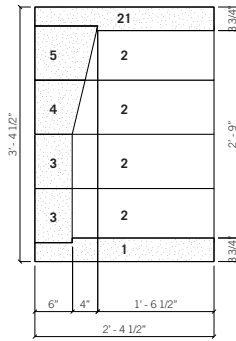
- FireRock Adhesive Mortar (MANDATORY)
- Firebrick
- Height Extension Kit
- Installation Kit



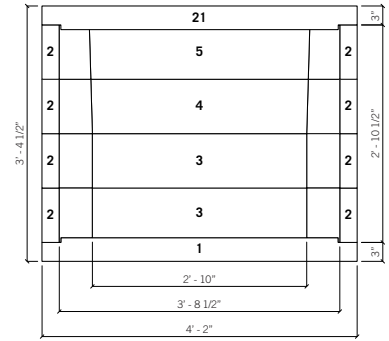
FRO242 - FIREROCK 42" VENT FREE
APPROVED FOR INDOOR & OUTDOOR USE



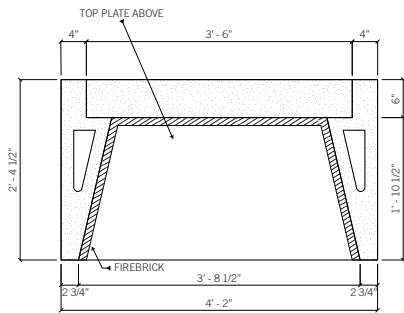
ISOMETRIC



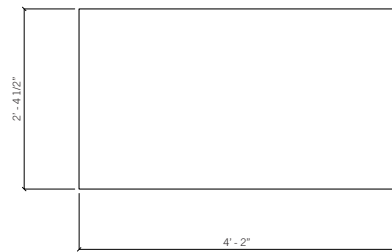
SECTION A-A



FRONT ELEVATION



FIREBOX PLAN



TOP PLAN

#	COMPONENT NAME	#	COMPONENT NAME
1	BASE PLATE		
2	FIREBOX SIDE		
3	STRAIGHT BACK BLOCK		
4	ANGLED BACK BLOCK - COURSE 3		
5	ANGLED BACK BLOCK - COURSE 4		
21	TOP PLATE		

*NOTE: All pieces subject to a 1/8" tolerance