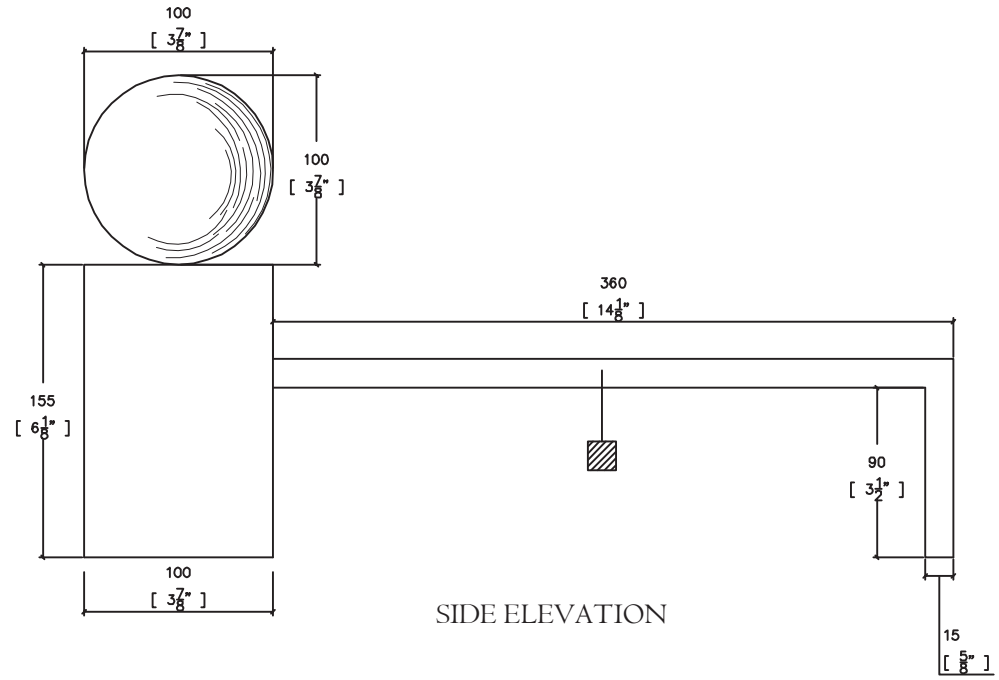
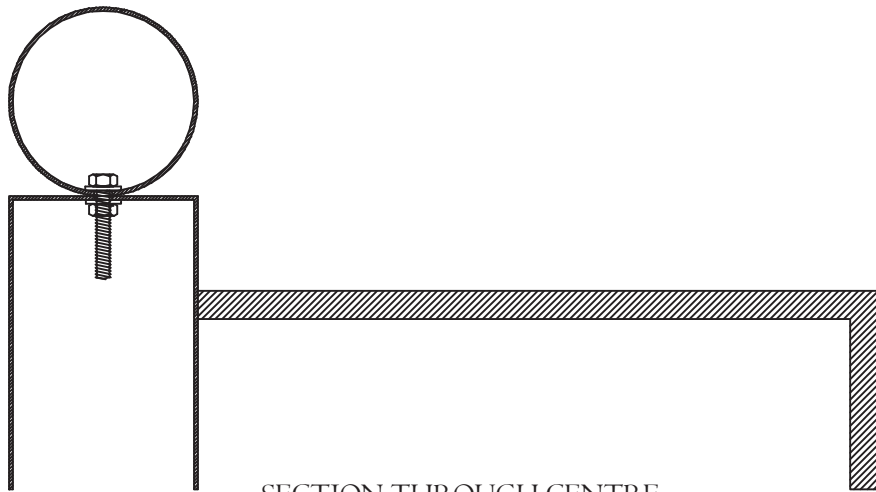


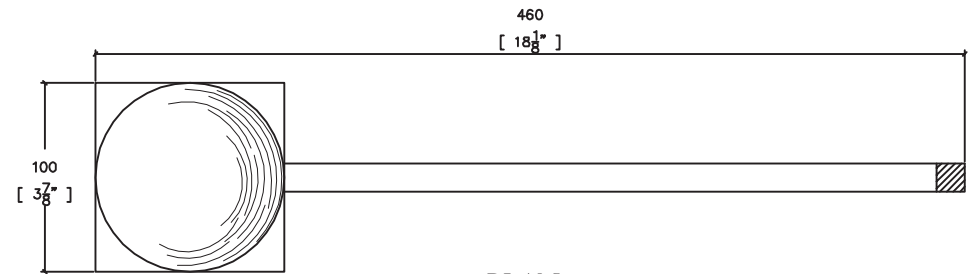
FRONT ELEVATION



SIDE ELEVATION



SECTION THROUGH CENTRE



PLAN

SPHERICAL ANDIRON