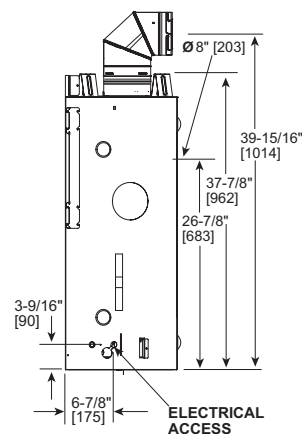
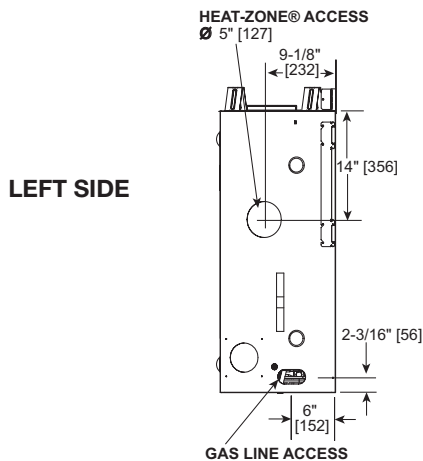
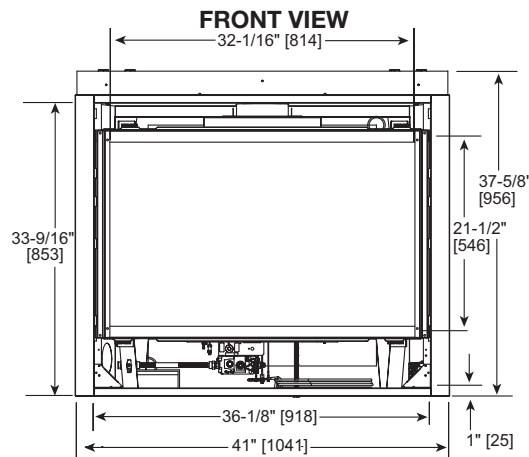
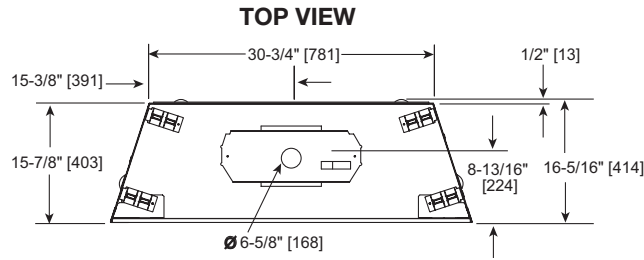


MAJESTIC

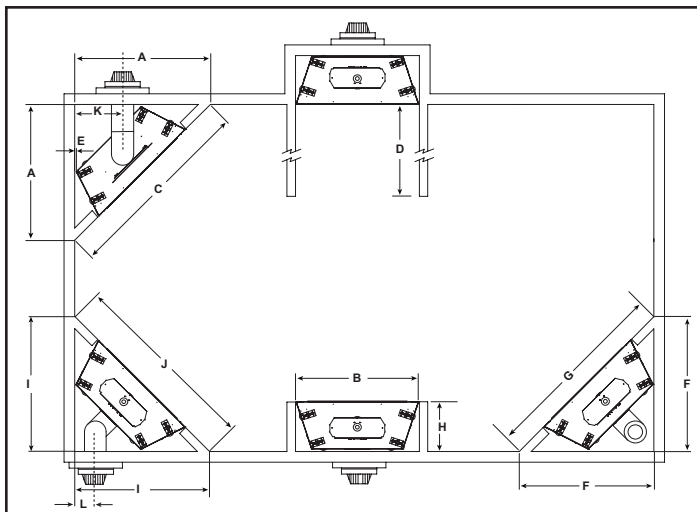
Please consult the manufacturer's installation manual for all details and requirements before making a final design layout decision.

QUARTZ 36
Direct Vent Gas Fireplace

MODEL	HEIGHT		FRONT WIDTH		BACK WIDTH		DEPTH		GLASS SIZE
	ACTUAL	FRAMING	ACTUAL	FRAMING	ACTUAL	FRAMING	ACTUAL	FRAMING	
QUARTZ36 24,000 BTU (NG) 20,500 BTU (LP)	37-7/8" [962]	38-1/4" [972]	41" [1041]	42" [1067]	30-3/4" [781]	42" [1067]	16-5/16" [415]	16-1/4" [413]	32-1/16" x 21-1/12" [814 X 546]

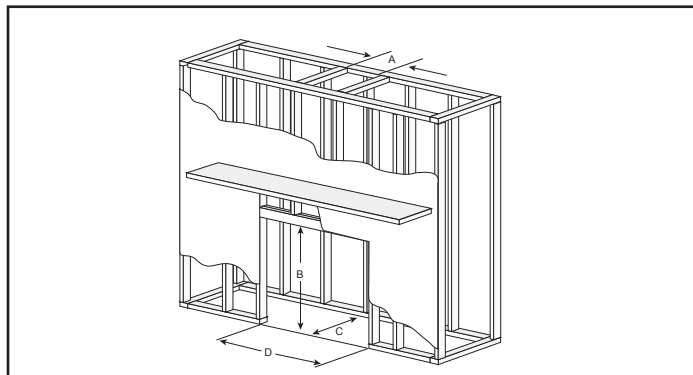


APPLIANCE LOCATION



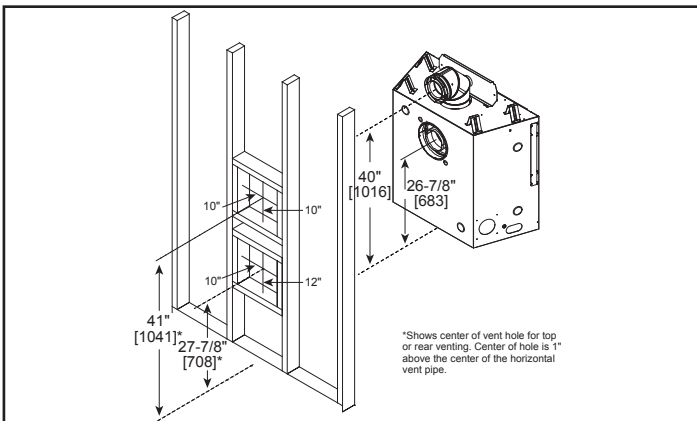
A	B	C	E	F	G	H	I	J	K	L
45-1/2" [1156]	42" [1067]	64-3/8" [1635]	1/2" [13]	45-1/2" [1156]	64-3/8" [1635]	16-1/4" [413]	48-1/2" [1232]	68-3/4" [1746]	16-5/8" [422]	7-1/2" [191]

FRAMING DIMENSIONS

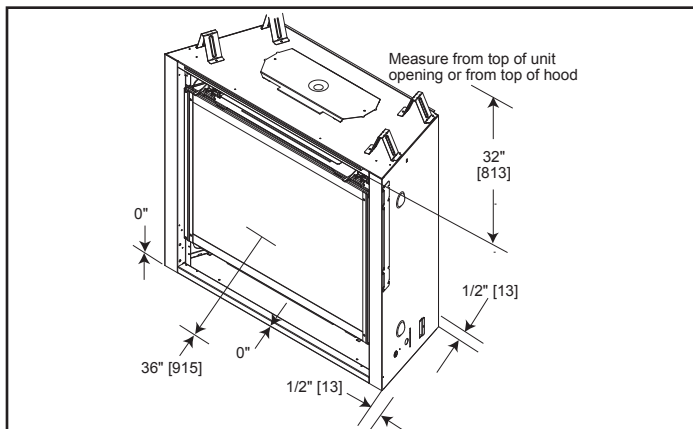


A Rough Opening (Width)		B Rough Opening (Height)	C Rough Opening (Depth)		D Rough Opening (Width)
DVP pipe	SLP pipe		DVP pipe	SLP pipe	
10" [254]	8-5/8" [219]	38-1/4" [972]	16-1/4" [413]	16-1/4" [413]	42" [1067]

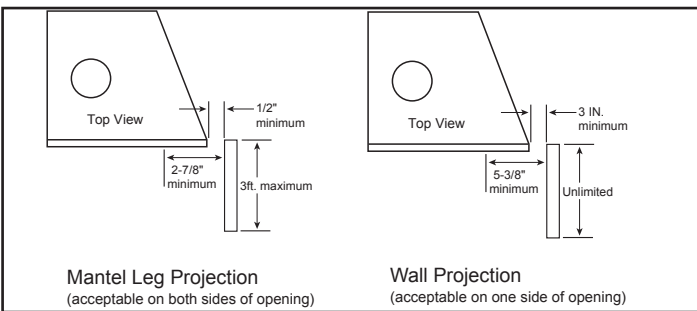
WALL PENETRATION



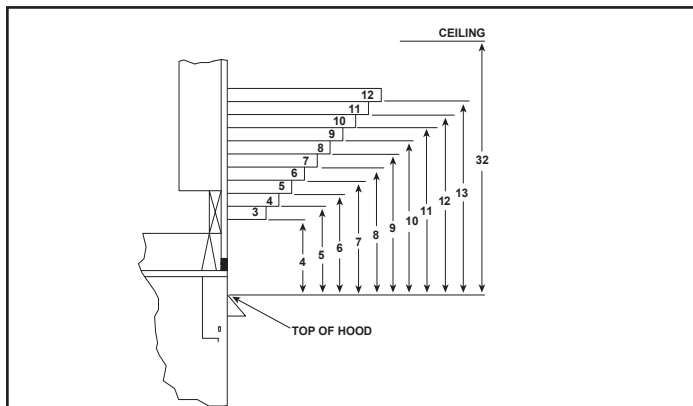
CLEARANCES TO COMBUSTIBLES



MANTEL LEG/WALL PROJECTIONS



MANTEL PROJECTIONS



PRODUCT LISTING CODES	
US	ANSI Z21.88-2014
CAN	CSA 2.33-2014

Product information provided is not complete and is subject to change without notice. Product installation must adhere strictly to instructions accompanying product to avoid risk of fire and potential injury.