

VACU-STACK® SELECTION & SIZING GUIDE

Selection & Sizing



Vacu-Stack® Models VSS, VSC, and VSM

Solves common wind-related draft problems. Designed for installation on other than air-cooled chimneys.



Vacu-Stack® Models VSS-TDW, VSC-TDW, and VSM-TDW

Solves common wind-related draft problems. Designed for installation on air-cooled chimneys.

Installing the correct size Vacu-Stack® model is essential for proper operation. Adapters are required for some installations. Follow state code requirements relative to spark arresters.

The model number found on the top of each unit and on the shipping carton corresponds to the unit's size; i.e., VSS-6 corresponds to a nominal 6" pipe dimension of the Vacu-Stack®.

Important: Vacu-Stack® chimney caps fit inside round flues or inside Adapter collar. Adapter instructions are included separately with the Adapter and may also be found in our catalog.

Selection Guide for Vacu-Stack®					
Chimney Description				Required	
Material	Flue Shape	Construction	Insulation	Model	Adapter
Metal	Round ●	Single Wall	None	VSS	Not Required
		Double Wall	Solid Pack	VSS	
			Air Cooled	VSS-TDW	
		Triple Wall	Air Cooled	VSS-TDW	
Masonry	Round ●	N/A	N/A	VSS	Not Required
	Square ■	Masonry	N/A	VSS	AD
	Rectangular ■			Adapter Required	

Sizing Guide for Vacu-Stack®			
Appliance	Flue Shape		Important Sizing Guide Instructions
<ul style="list-style-type: none"> • Stove • Insert • Furnace 	●		Must not be less than size of appliance smoke outlet
	■	■	Must not be less than size of appliance smoke outlet
<ul style="list-style-type: none"> • Fireplace 	●		The effective area of flue and chimney cap should not be less than 10% of the front opening area of the fireplace. "The effective area" is the area of the inscribed circle.
		■ ■	

Adapter required for square or rectangular flues

• Do not install an undersize chimney cap. • Do not install unit on undersize chimney. • Minimum flue areas for appliances should conform to manufacturer recommendation (usually the size of smoke outlet on appliance). • Minimum effective flue areas for masonry fireplaces must not be less than 10% of front opening area of fireplace (.10 x width x height). • Local Building Code Requirements: All warranties for ICP chimney products are voided where installations do not conform to local building code requirements.



Improved Consumer Products, Inc.

(508) 695-7000 508-695-4209 (fax) www.chimneycaps.com

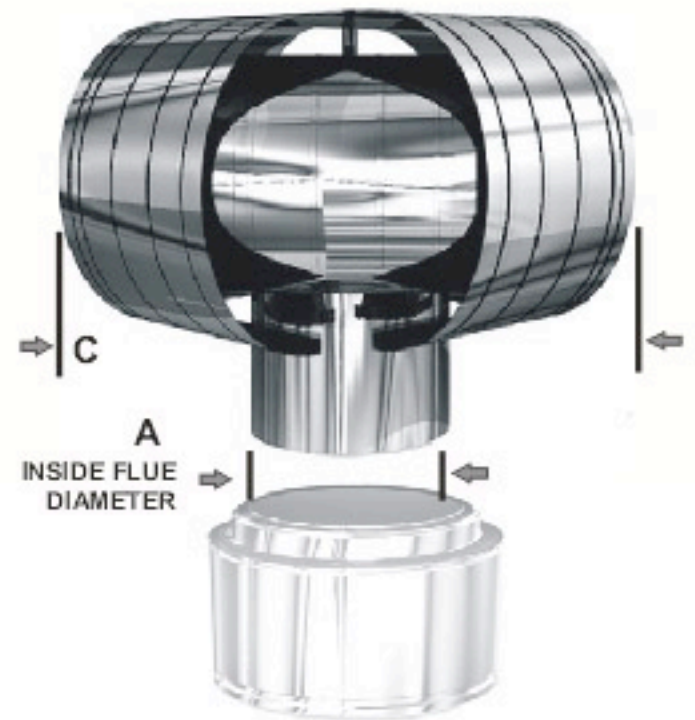
VACU-STACK® SPECIFICATIONS

Vacu-Stack® Model VSS WITHOUT SCREEN

Application: For round chimneys other than air cooled and for masonry chimneys using the ICP masonry adapter. This is the premier cap for solving common wind-related chimney draft problems caused by conditions such as hills and mountains in the vicinity, tall trees near the chimney, or tall buildings nearby.

Standard Materials: 100% austenitic stainless steel, stainless steel screen.

Alternate materials: Copper (Model VSC) and Type 316 stainless steel (Model VSM) for marine environments.



MODEL # (1" SCREEN OPENING*)	DIAMETERS (INCHES)		SHIPPING WEIGHT (POUNDS)
	A	C	
VSS-6	6	14	6
VSS-7	7	15	6
VSS-8	8	18	8.25
VSS-812	6 x 10 oval	18	10
VSS-9	9	20	11
VSS 9.5	9.5	20	11
VSS-10	10	21	11
VSS-11	11	23	18
VSS-11.5	11.5	24	18
VSS-12	12	24	18
VSS-1216	10 x 14 oval	25	28
VSS-13	13	28	38
VSS-14	14	30	38

SIZES: Custom sizes available up to 48". Call for price and specific requirements.

CHIMNEY TYPES: Single wall, solid pack insulated, Class A, B vent, and square or rectangular masonry chimneys using ICP masonry adapter.

SCREENS: Also available with 1" and 1/2" mesh screen openings. Check local regulations for what is required in your area.

* Nominal dimension



Improved Consumer Products, Inc.

(508) 695-7000 508-695-4209 (fax) www.chimneycaps.com